



ASSEMBLY INSTRUCTIONS

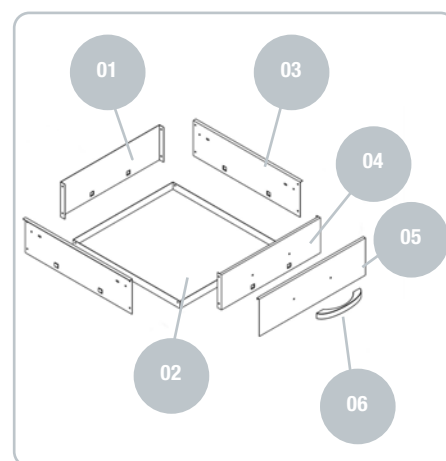
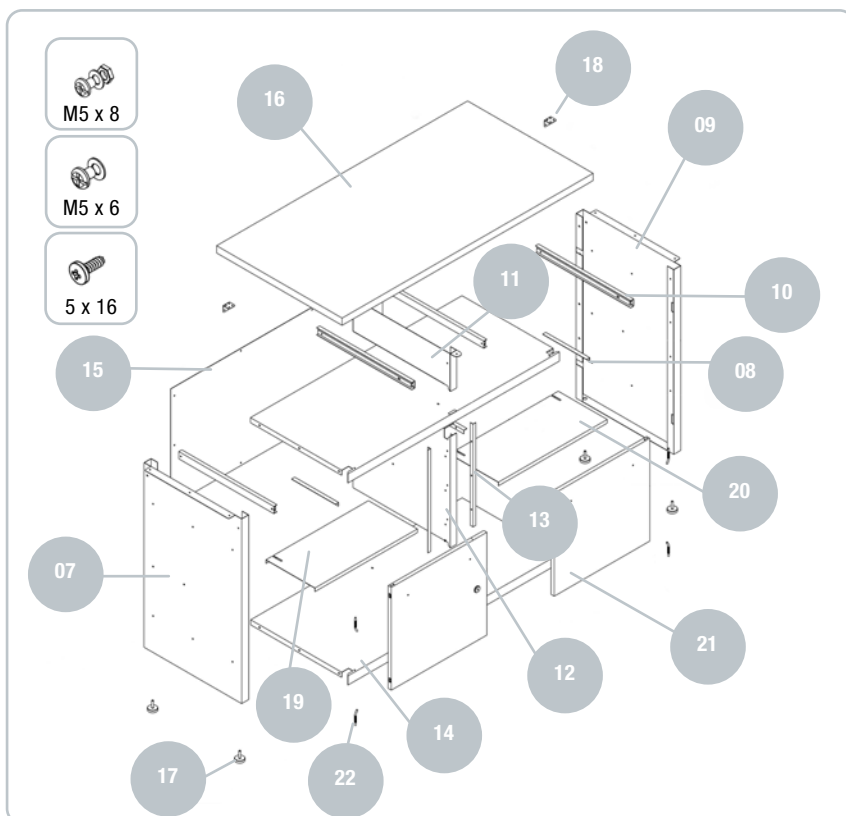
Workbench
WB120/4



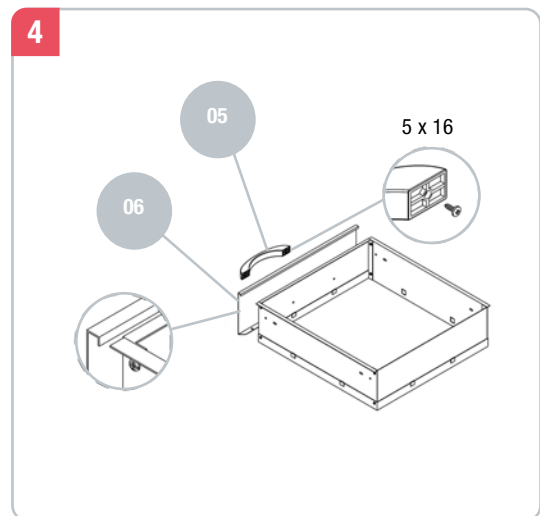
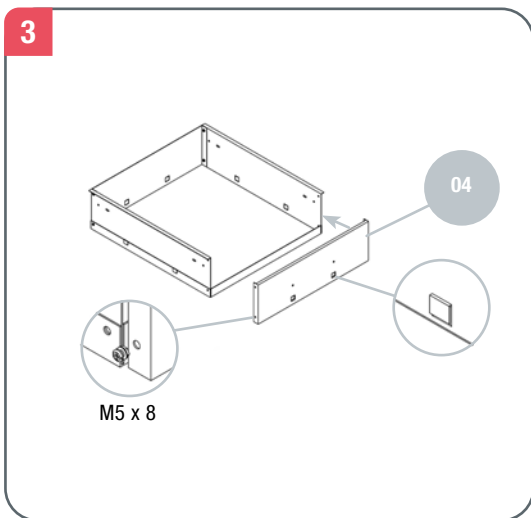
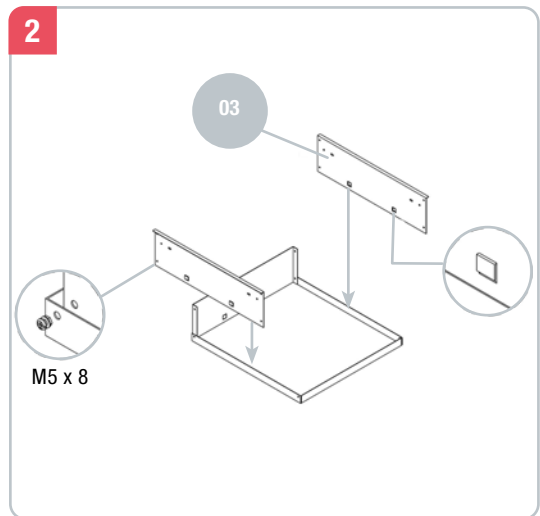
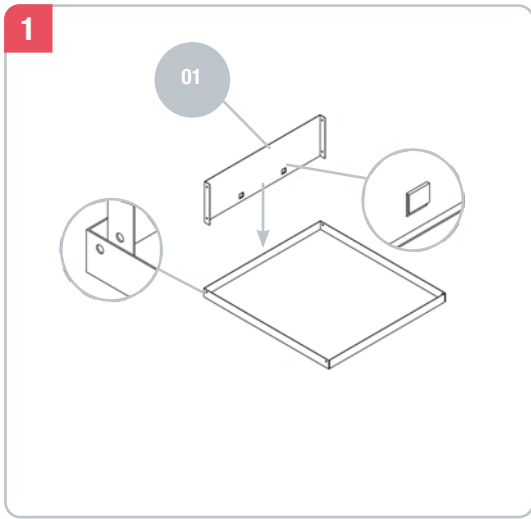
Please read this manual before using the product and follow the instructions it contains!

ASSEMBLY INSTRUCTIONS

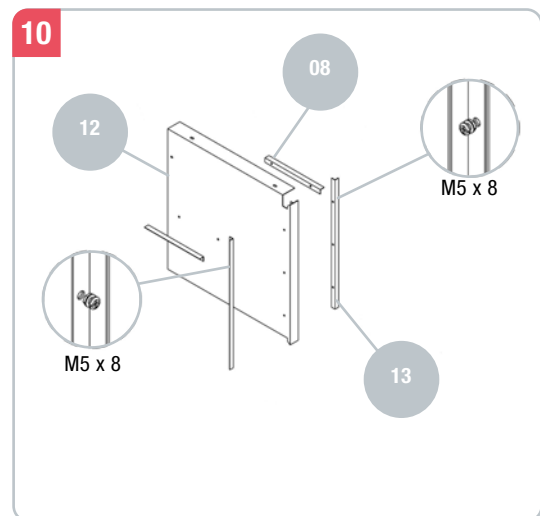
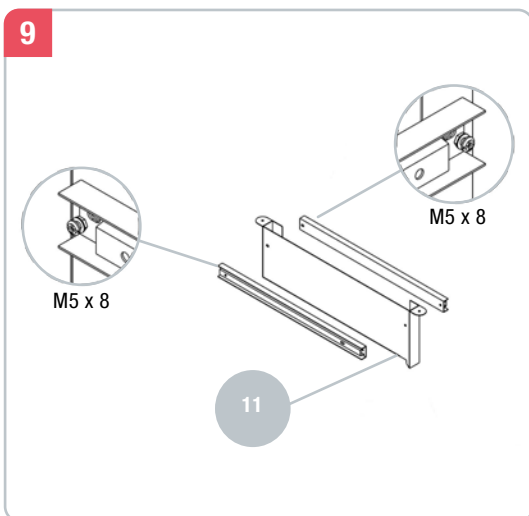
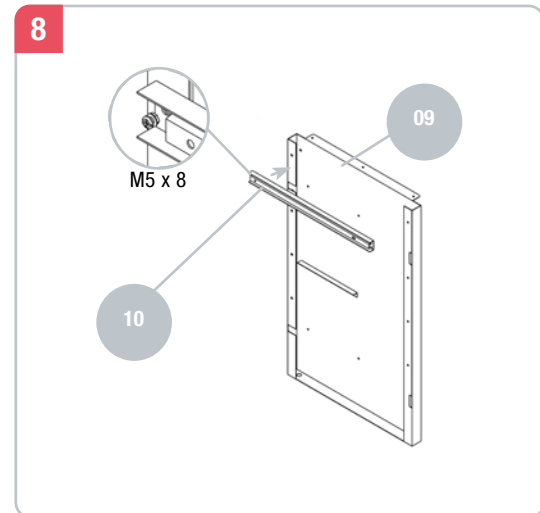
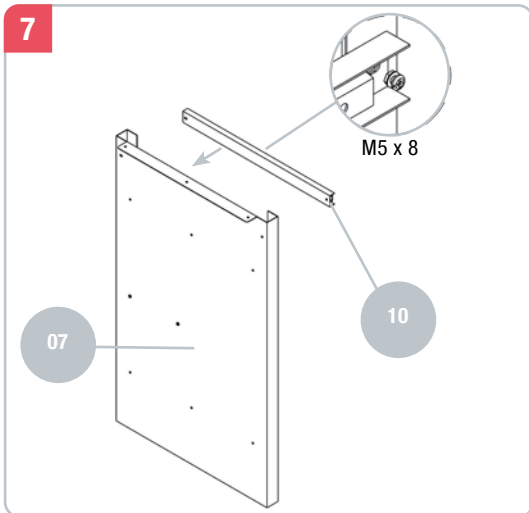
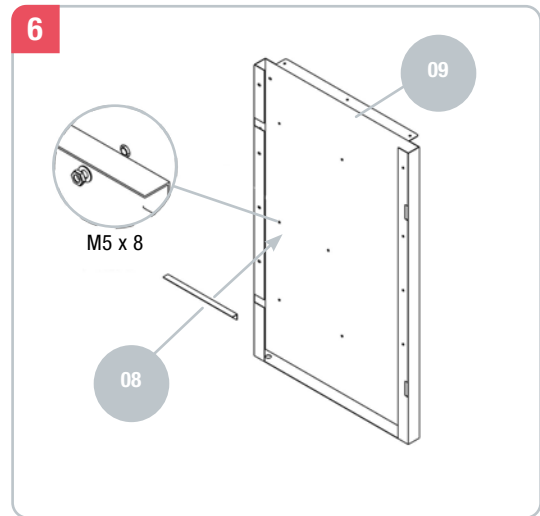
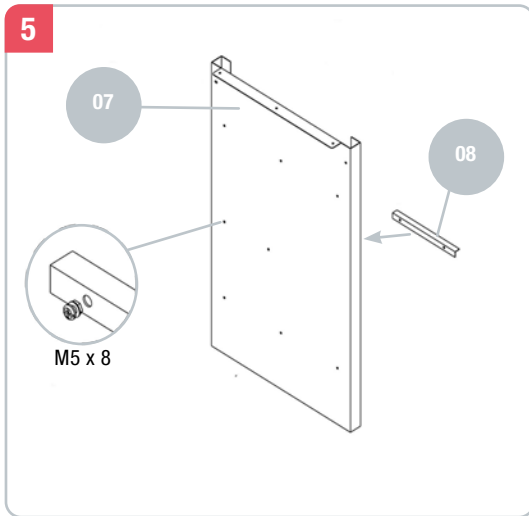
No.	Designation	Dimensions in mm (L x W x H)	Quantity
01	Drawer back panel	438 x 125 x 19	2
02	Drawer bottom	442 x 429 x 22	2
03	Side panel of drawer	428 x 126 x 10	4
04	Drawer front	438 x 125 x 17	2
05	Drawer cover	457 x 139 x 15	2
06	Drawer handle	44 x 198 x 22	2
07	Side panel 1	770 x 467 x 65	1
08	L-panel	210 x 15 x 15	4
09	Side panel 2	770 x 467 x 65	1
10	Drawer slide	35 x 460 x 9	4
11	Upper middle divider board	522 x 144 x 30	1
12	Lower middle divider board	462 x 462 x 30	1
13	Door stop	418 x 18 x 12	4
14	Shelf	1030 x 464 x 37	2
15	Back panel	1025 x 482 x 0,6	1
16	Wooden worktop	1200 x 600 x 30	1
17	Height adjustable feet	∅ 36	4
18	Mounting bracket	30 x 30 x 1,2	2
19	Left shelf	496 x 223 x 15	1
20	Right shelf	496 x 223 x 15	1
21	Door	460 x 423 x 15	2
22	Connecting piece	50 x ∅ 5	4



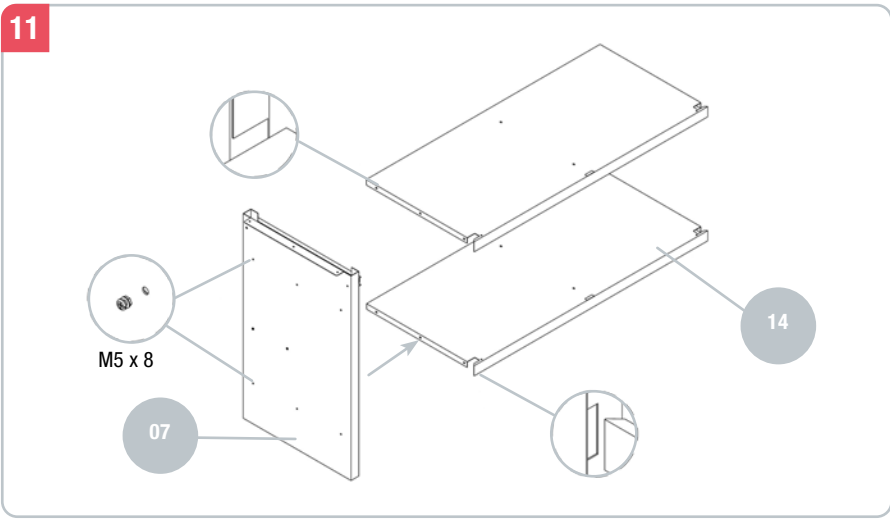
ASSEMBLY DRAWERSS



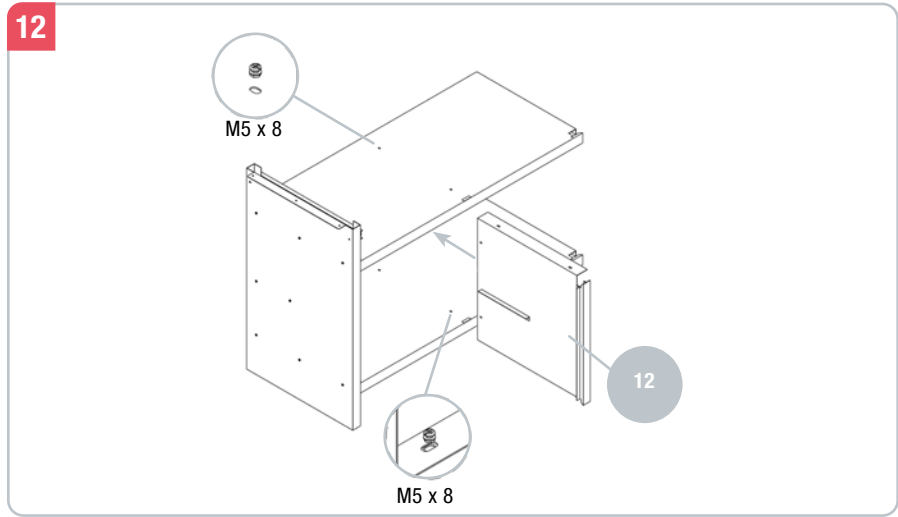
ASSEMBLY CARCASE



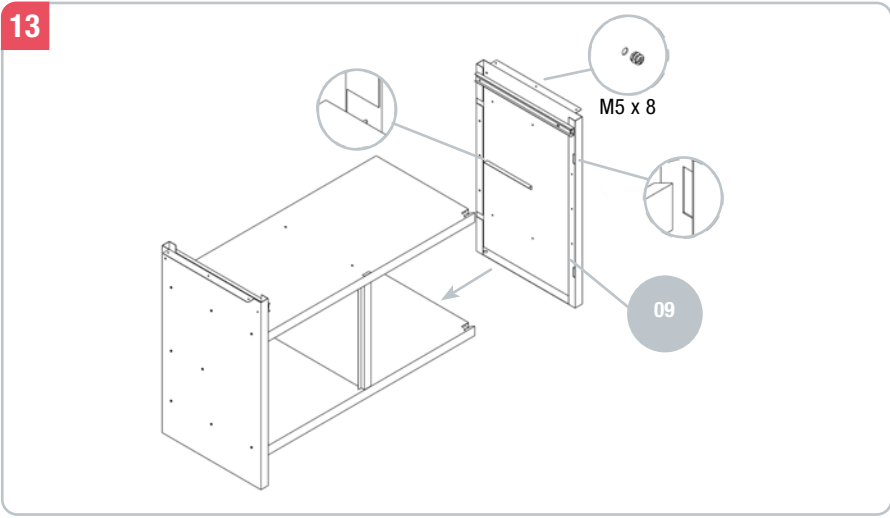
11



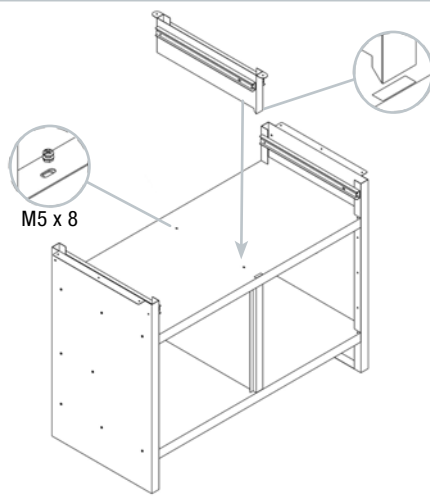
12



13

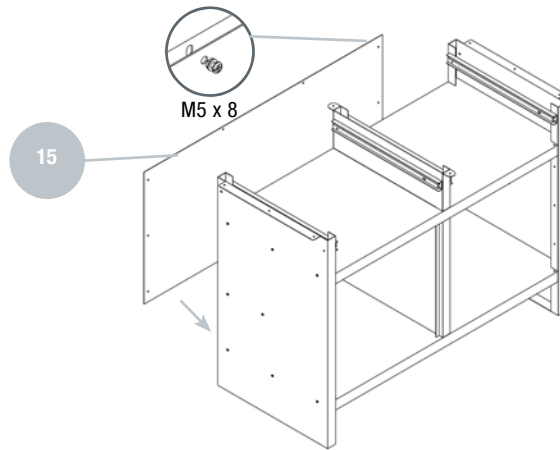


14

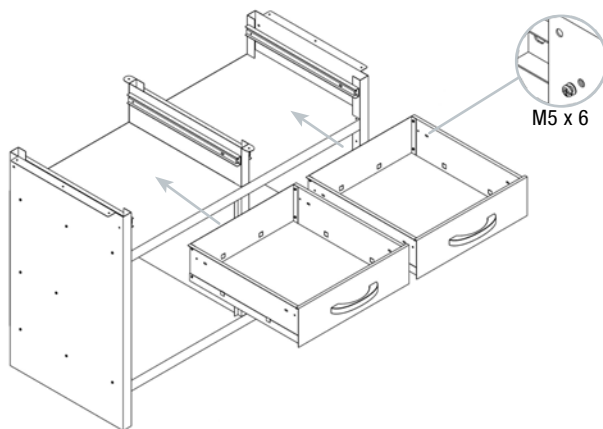


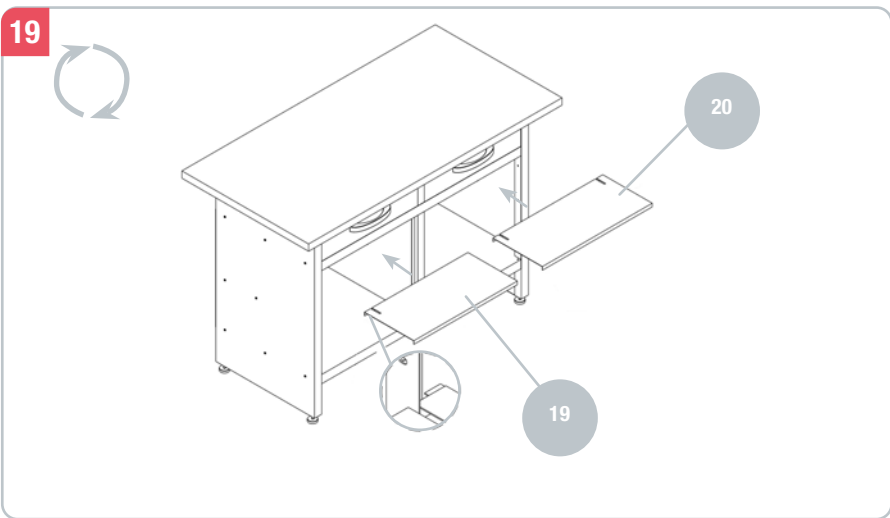
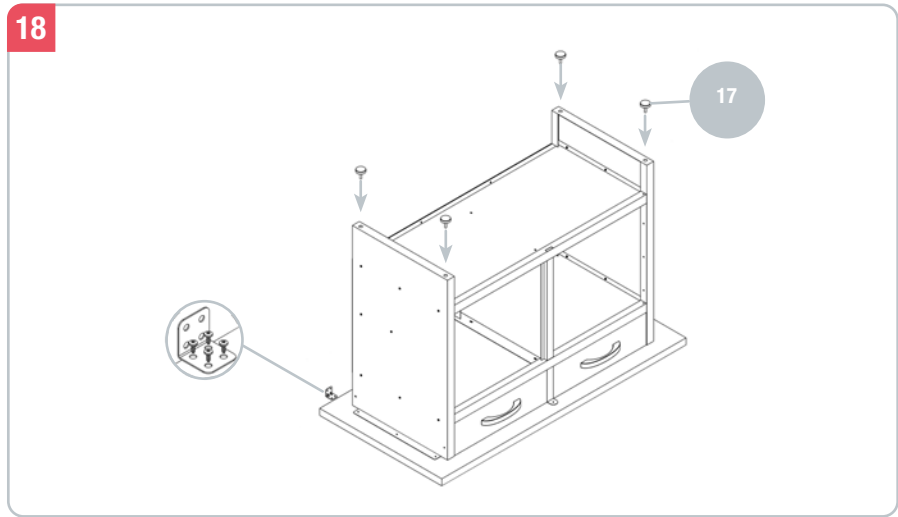
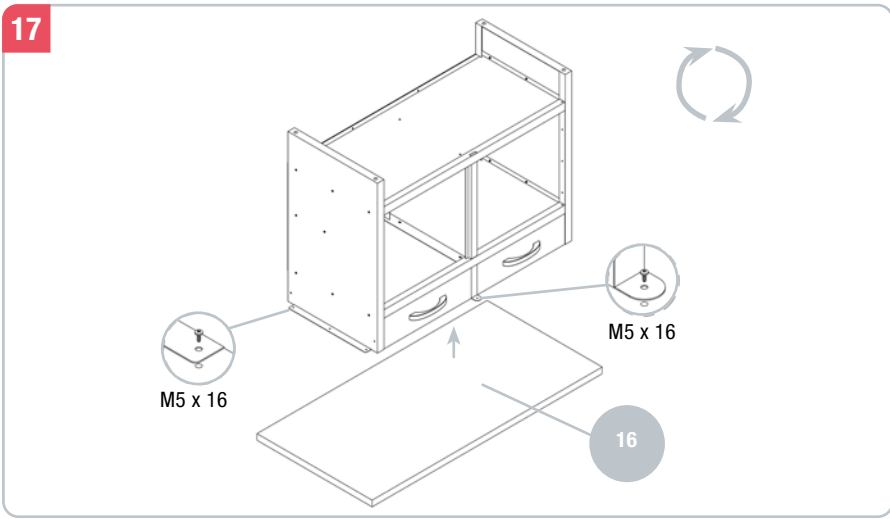
15. Attach the back panel to the carcass by fastening the screws clockwise.

15

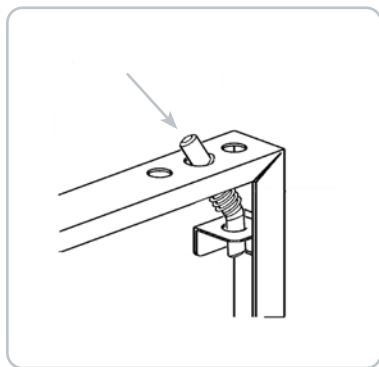
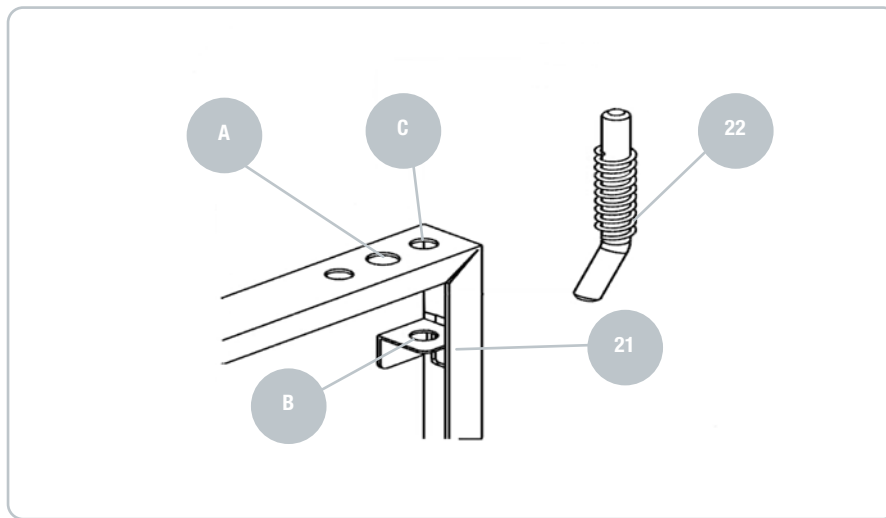


16

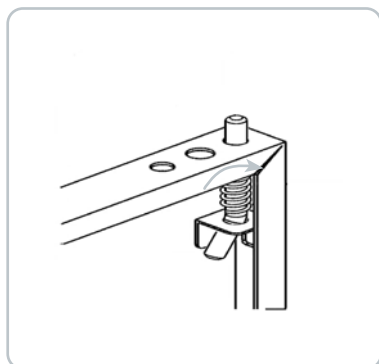




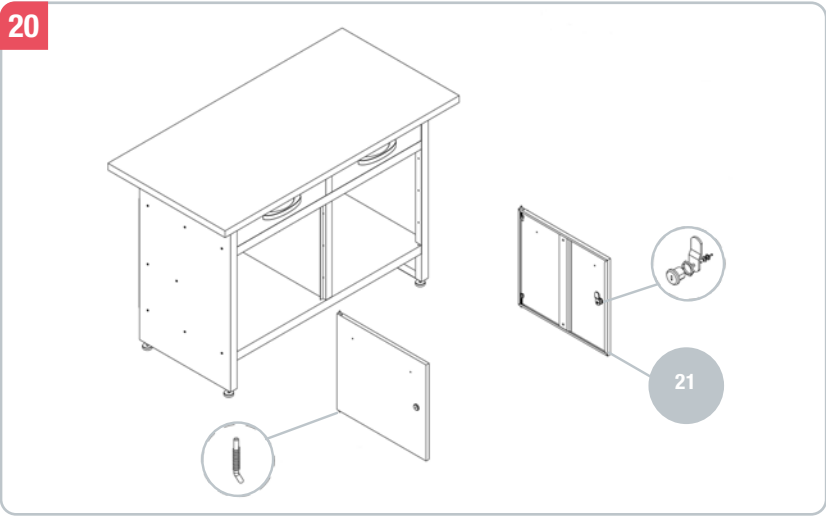
ASSEMBLY DOORS



Step 1: Insert the spring pin (22) through the opening A into the opening B



Step 2: Apply pressure on the spring and slide the upper end into the opening C.



TOPREGAL®

TOPREGAL UK Ltd.

Carlton Drive Pen Y Fan Industrial Estate
Crumlin Newport | Gwent NP11 4EA

01495 707222 | info@topregal.co.uk
www.topregal.co.uk