



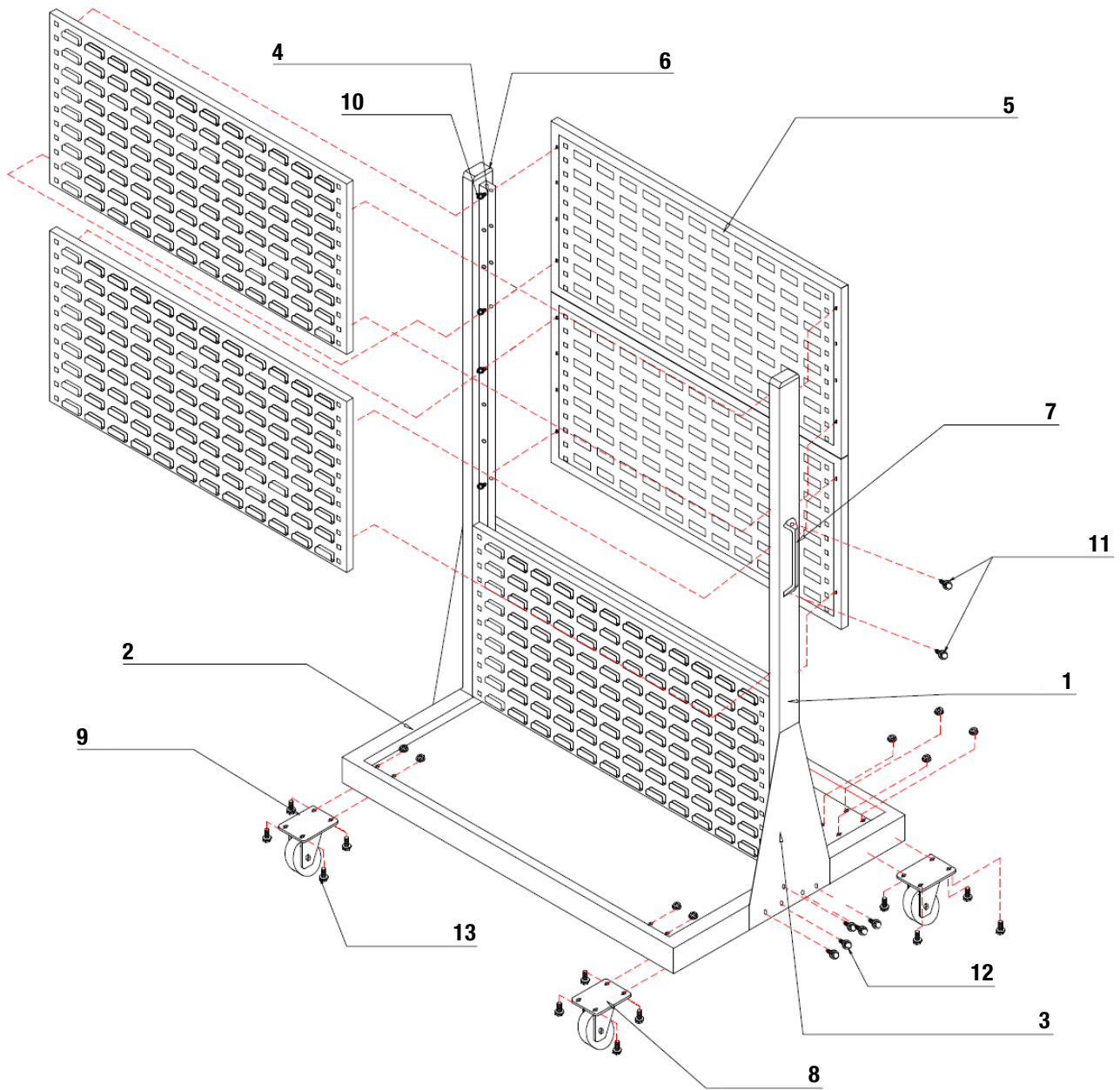
OPERATING INSTRUCTIONS

Double sided louver panel trolley with 112 storage bins

SLK112

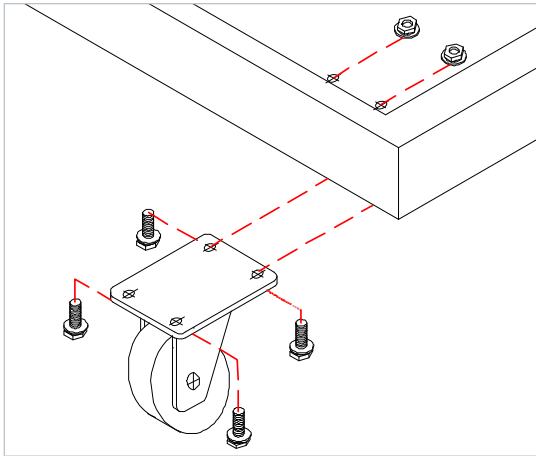


Please read this manual before using the product and follow the instructions it contains!

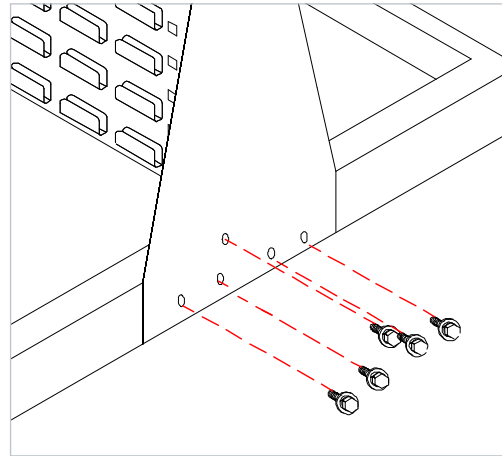


No.	Name	Quantity
1	Upright	2
2	Base plate	1
3	Upright supporters	2
4	Panel holders	2
5	Panels	6
6	End caps	2
7	Handles	2
8	Swivel castors	2
9	Brake castors	2
10	M5 x 10 hexagon socket head cap screws (For mounting the panels)	24
11	M8 x 25 hexagon socket head cap screws (For mounting the handles)	4
12	M8 x 16 hexagon head screws (For mounting the base plate to the uprights)	10
13	M8 x 16 hexagon bolts, nuts, spring washers and flat washers (For mounting the castors to the base plate)	16 each

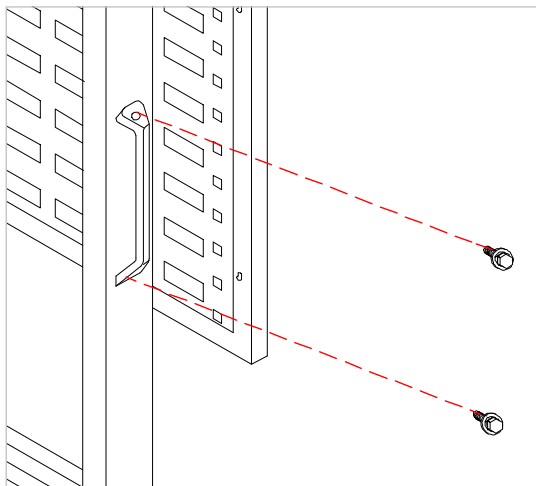
1. Attach the castors (8) to the base plate (2) with four M8 x 16 bolts, washers and nuts (13) each.



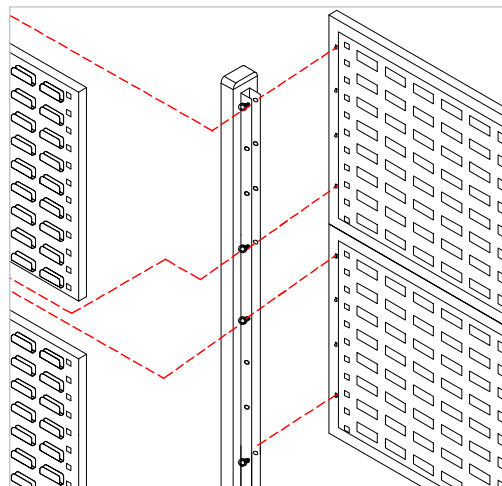
2. Now attach the two uprights (3) to the base plate (2) with 5 screws (12) each.



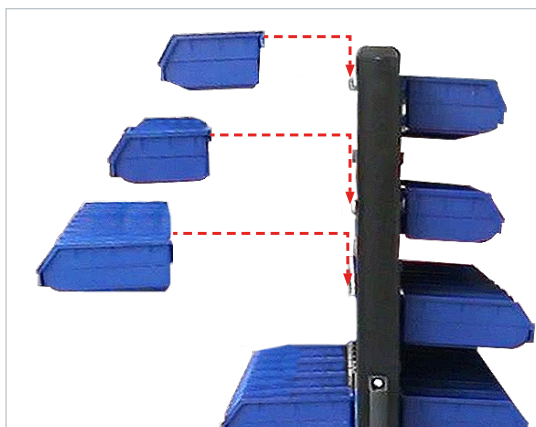
3. Attach the two handles (7) with 2 M8 x 25 screws (11) each.



4. Hang the panels (5) in the holders (4) provided and tighten the screws (10) to secure them.



5. Hang the pick-bins.



TOPREGAL[®]

TOPREGAL UK Ltd.

Carlton Drive Pen Y Fan Industrial Estate
Crumlin Newport | Gwent NP11 4EA

01495 707222 | info@topregal.co.uk
www.topregal.co.uk