



OPERATING INSTRUCTIONS

Crane arm

KA2500



Please read this manual before using the product and follow the instructions it contains!

GENERAL

Area of application	3
Intended use	3
Operator obligations	3
Technical data	4
Assembly	4
Use	5

MAINTENANCE

Maintenance	5
Repairs	5
Service & Contact	5
UKCA Declaration of Conformity	6

AREA OF APPLICATION

Crane arms are used to grasp heavy goods and transport them with a forklift truck. To ensure safe handling, always observe the operating instructions of the forklift truck.

INTENDED USE



WARNING! Risk of injury if used incorrectly!

Misuse of the crane arm can lead to dangerous situations and serious injuries.

The crane arm is used exclusively for picking up and transporting loads and may only be used on forklift trucks.

- Make sure that there are no persons or obstacles in the danger zone.
- Never exceed the maximum permissible load capacity of the crane arm and the forklift truck.
- Observe the specifications in the technical data sheet.
- Do not use the crane arm if it is damaged.
- Modifications and changes to the device not approved by the manufacturer will void the warranty.

OPERATOR OBLIGATIONS

Crane arms are used in the commercial sector. The operator of the forklift truck is therefore subject to the legal obligations for occupational safety.

There is a risk of injury due to crushing! The weight of the crane arm can cause crushing and serious injuries. Protective gloves must be worn during assembly and disassembly.

According to DGUV regulation 68, periodic inspections must be performed at least once a year with checklist FEM 4.004, 6.

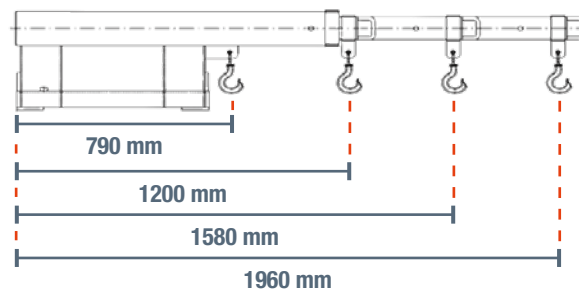
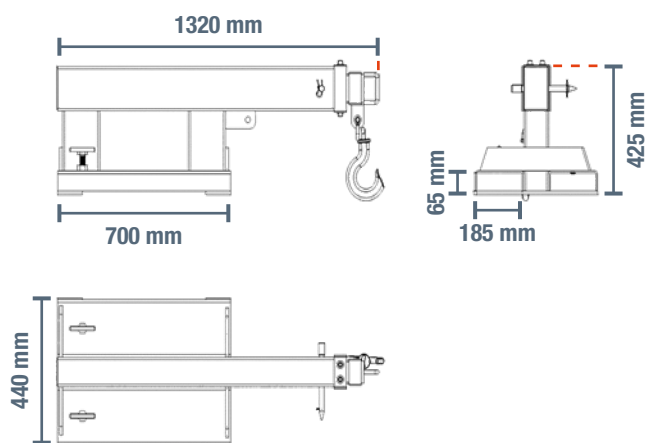


Note that the use of the telescopic arm shifts the load centre of your truck. For more information, refer to the load diagram and the load centre of your machine. Check that the crane arm is compatible with your forklift (fork cross-section up to max. 185 x 65 mm).

TECHNICAL DATA

Type	Unit	Value
Brand		SolidHub
Colour		RAL 5005
Surface		Painted
Length	cm	135
Width	cm	44
Height	cm	43
Weight	kg	91
Max. load	kg	2500
Size of fork openings	mm	185 x 65

Position	Max. working load per position			
	1	2	3	4
Extension (mm)	790	1200	1580	1960
Max. working load (kg)	2500	1200	900	750



ASSEMBLY

1. Loosen the screw clamps of the crane arm.
2. Carefully slide the crane arm onto the forks so that it rests completely on the forks.
3. Tilt the forks towards the forklift truck to prevent the crane arm from slipping. Never tilt the forks forward when using the crane arm.
4. Tighten the two screw clamps (Figure 1).
5. Check that the crane arm is firmly in place.
6. Set the desired position of the telescopic arm, taking the capacities into account, and fasten it with the safety bolt (Figure 2).



Figure 1

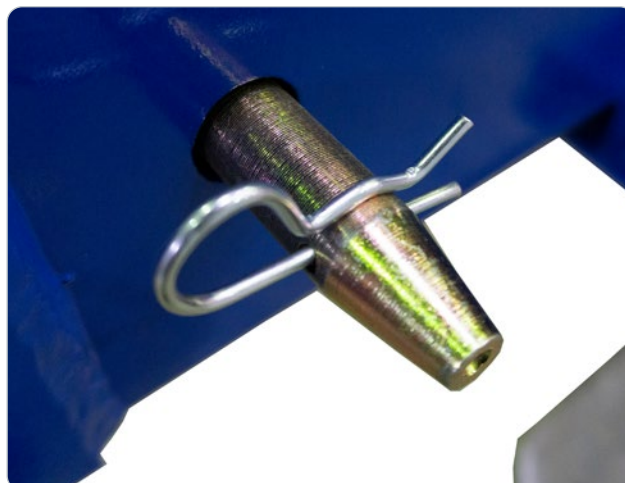


Figure 2

USE

1. Secure the goods you want to transport with the hook.
2. Lift the goods slowly and make sure that there are no persons in the danger zone.
3. Make sure that the goods are lifted evenly, do not sway too much and hang parallel above the ground.
4. Lift the goods to transport height, as close to the ground as possible.
5. Transport the load to the desired location. Drive slowly and avoid unevenness and inclines / declines.
6. At the destination, carefully lower the goods and detach them from the hook.
7. Retract the telescopic arm and secure it.



Stop immediately if the forklift is in danger of tipping over.

MAINTENANCE

- Daily visual inspection by the user.
- Check the tight fit of the screw clamps and look for cracks or deformations.
- Have the crane arm inspected at least once a year by a competent person based on the current associated standard.
- Clean the crane arm regularly. Use a broom or brush for this purpose.
- Remove dirt or rust with suitable tools.

REPAIRS

Repairs may only be carried out by the manufacturer or a specialist company authorised by the manufacturer. The manufacturer declines all liability for any damage resulting from improper repair or welding work. Improper repairs or use of third-party components can lead to damage and loss of function. As a result, dangerous situations and serious injuries may occur. In the event of improper repairs, the warranty and the manufacturer's responsibility for consequential damage are voided.

SERVICE & CONTACT

Contact our product experts and find help and solutions for your product. Here you will find all contact information listed by country and language: www.topregal.co.uk/en/service

Responsible for the content:
TOPREGAL GmbH
Industriestrasse 3
70794 Filderstadt
GERMANY
www.topregal.com

UKCA Declaration of Conformity

The manufacturer

TOPREGAL UK Ltd.
Carlton Drive Crumlin
Gwent NP11 4EA

hereby declares that the following product

Product name:

Crane arm

Type:

KA2500

Serial number:

KA2500-1000000000 - KA2500-9999999999

that the equipment is in conformity with the following relevant UK legislations and applied standards:

2006/42/EC Machinery Directive

EN ISO 12100

EN 280

EN 60204-1+A1+AC

Name and address of the person who is authorized, compile the technical documentation:

TOPREGAL UK Ltd.
Carlton Drive Crumlin
Gwent NP11 4EA



Place: Crumlin UK
Date: 22.12.2023

Juergen Effner
Chief Executive Officer

SolidHub