



OPERATING INSTRUCTIONS

Hand pallet truck

HWM2500



Please read this manual before using the product and follow the instructions it contains!

GENERAL

Foreword	3
Safety instructions	3
Technical Data	3
Overview of the main components	3
Assembly instructions	4
Operating instructions	5

MAINTENANCE

Regular inspections	6
Troubleshooting	7
Service & Contact	7
UKCA Declaration of Conformity	8

FOREWORD

Congratulations on the purchase of your new hand pallet truck. The SolidHub hand pallet truck is made from high quality materials, specially designed for durable and reliable use. For your own safety and for the correct operation of the hand pallet truck, be sure to read and follow these operating instructions before operating the hand pallet truck. Keep these operating instructions. Check the hand pallet truck for transport damage. Defective equipment must not be taken into use.

SolidHub is not liable for damages resulting from the improper use of the hand pallet truck, or the disregard of specifications and rules of conduct of this operating manual. Ensuring correct use by trained and authorized personnel is the responsibility of the operator.

SAFETY INSTRUCTIONS

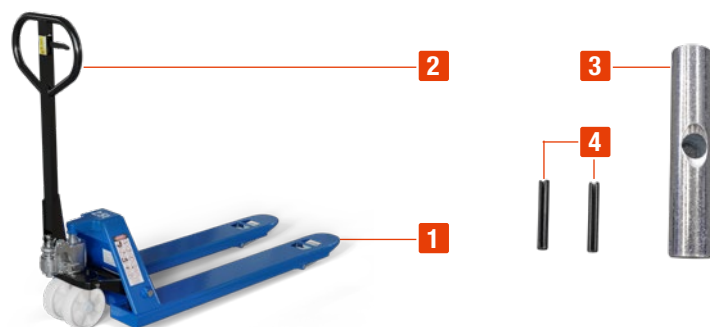
- Read the operating instructions carefully before using the hand pallet truck.
- Do not overload the pallet truck. The maximum load is 2500 kg.
- Secure your load before transport.
- Always load it truck evenly and centrally.
- Do not use the machine on ramps or sloping terrain.
- Wear safety clothing and shoes when working with the lift truck.
- Never leave a loaded lift truck unattended; the load must always be lowered when not in use.
- All relevant accident prevention regulations apply, such as generally accepted safety rules, country-specific regulations and guidelines for storage facilities and equipment of the respective country.
- Modifications and changes to the device not approved by the manufacturer will void the warranty.

TECHNICAL DATA

Type	Unit	Value
Length	mm	1580
Width	mm	540
Height	mm	1220
Weight	kg	54
Colour		RAL5005
Traction weight	kg	2500
Fork length	mm	1150
Min. ground clearance	mm	34
Lifting range	mm	85 - 200
Castor material		PP (Polypropylene)

OVERVIEW OF THE MAIN COMPONENTS

No.	Designation
1	Chassis
2	Drawbar
3	Axle pin
4	2 locking pins



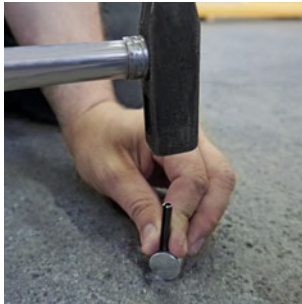
ASSEMBLY INSTRUCTIONS



1. Safety note

Make sure that the safety bolt is properly seated. The bolt must be securely seated in the holes on both sides of the pump housing.

If it is not seated properly on one side, use a C-clamp to apply pressure to the pump rod. As soon as the pressure on the bolt has eased, replace the bolt and carefully loosen the clamp.



2. Use a hammer to drive in the locking pin on one side and insert the axle bolt into the holder. Make sure that the hole in the axle bolt is facing forward. If the hole is on the other side, insert the axle bolt from the other side.

Important Note: The pull chain runs through this hole. If not inserted correctly, the chain will run in an S-shape and the resulting tension will make it difficult to operate the lever on the handpiece.



3. Important information regarding the chain assembly: First make sure that the chain is outside the drawbar. Now align the two holes on the tiller and the housing and put the axle bolt through.



4. Make sure that the axle bolt has been passed completely through the drawbar and is secure. Now guide the chain THROUGH the hole.

Tip: It is easier if you set the lever on the tiller handpiece to the lowest position. Once the chain is in the correct position, check that the chain can move freely / is not blocked.



5. Move the drawbar down to release the tension. Now remove the safety bolt.



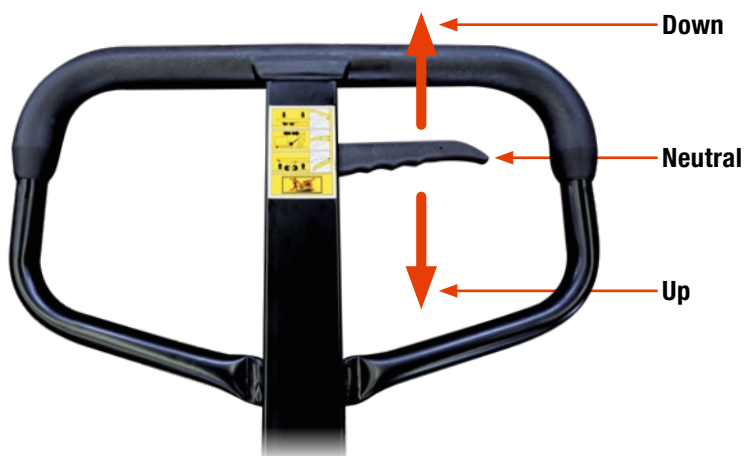
6. Now use both hands to push the chain end with the nut into the recess and tighten the nut.



7. Now test the function: Pump the handpiece a few times so that the fork lifts. Move the lever up so that the fork lowers again.

After successful testing, now fasten the second locking pin to the axle bolt with a hammer.

OPERATING INSTRUCTIONS



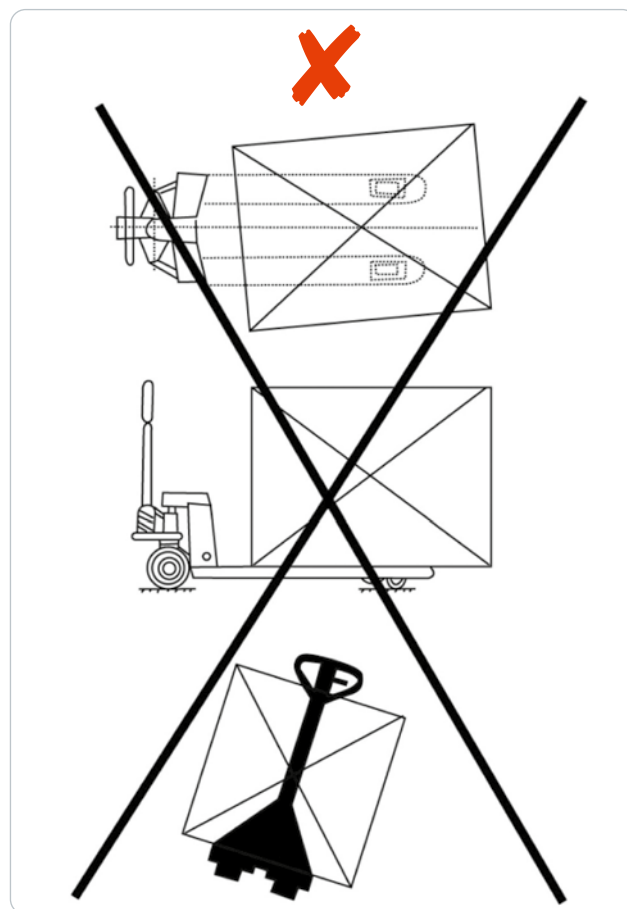
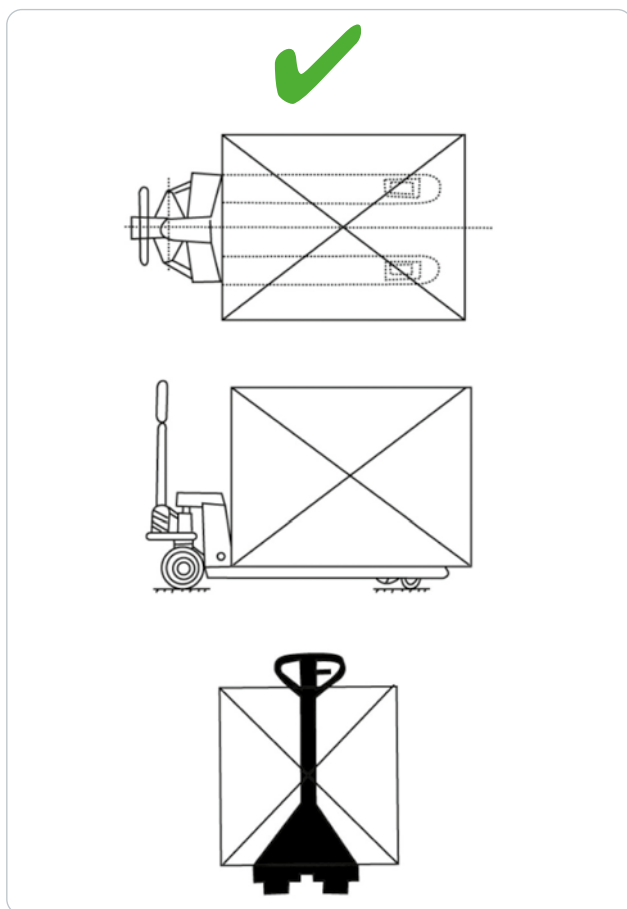
To raise the fork, set the lever in the "UP" position (lever down).

To lower the fork, set the lever in the "DOWN" position (lever up).

In the "NEUTRAL" position, the tiller can be moved without changing the fork position (lever in the middle position).

Lifting loads:

1. Move fork to lowest position.
2. Push the fork under the load or pallet to be lifted.
3. Set the lever on the handpiece on the tiller to the "UP" position (lever down).
4. Move the tiller up and down until the desired height is reached.



MOVING LOADS

1. Set the lever on the handpiece to "NEUTRAL" (middle position).
2. Push or pull the load to the desired position.

LOWERING LOADS

1. Set the lever on the handpiece to the "DOWN" position (lever up).
2. Pull the fork out from under the load.

MAINTENANCE & CLEANING OF THE DRAIN VALVE

The hydraulic drain valve may become dirty from time to time. To clean the valve, flush the hydraulic fluid as follows: Pump the forks of the lift truck to the highest position and then lower them completely and quickly.

REGULAR INSPECTIONS

The respective inspection points (plus equipment identification) for the periodic inspections/thorough examinations are to be checked in an integrated manner in the associated inspection report of the lifting equipment, taking into account the mandatory fulfilment of the Lifting Operations and Lifting Equipment Regulations 1998 (LOLER). (Recommendation: FEM4.004)

TROUBLESHOOTING

Problem	Reason	Solution
Fork cannot be lifted	Not enough hydraulic oil	Check for leaks and top up hydraulic oil
Lifted load sinks automatically	Drain valve no longer closes or valve is leaking due to contamination	See section "Cleaning drain valve"; top up hydraulic oil if necessary
Fork no longer descends	Chain broken	Replace chain
	Chain unhooked	Re-attach chain at the bottom of the drawbar
Fork sinks too slowly	Temperature too low	Move the machine to a warmer environment
	Set screw on drawbar turned out too far or in too far	Adjust the position of this set screw

SERVICE & CONTACT

Contact our product experts and find help and solutions for your product. Here you will find all contact information listed by country and language: www.topregal.co.uk/en/service

Responsible for the content:
 TOPREGAL GmbH
 Industriestrasse 3
 70794 Filderstadt
 GERMANY
www.topregal.com

UKCA Declaration of Conformity

The manufacturer

**TOPREGAL UK Ltd.
Carlton Drive Crumlin
Gwent NP11 4EA**

hereby declares that the following product

Product name:

Hand pallet truck

Type:

**Load capacity 2,5t, fork length 1150mm
Color: Blue**

Serial number:

HWM2500-1000000000 - HWM2500-9999999999

that the equipment is in conformity with the following relevant UK legislations and applied standards:

2006/42/EC Machinery Directive

Name and address of the person who is authorized, compile the technical documentation:

TOPREGAL UK Ltd.
Carlton Drive Crumlin
Gwent NP11 4EA



Place: Crumlin UK
Date: 09.11.2019

Juergen Effner
Chief Executive Officer

SolidHub