



ASSEMBLY INSTRUCTIONS

Metal cabinet



Please read this manual before using the product and follow the instructions it contains!

PARTS LIST	Components & assembly material	3
ASSEMBLY	Rear panel & side walls	4
	Bottom, frame & lid	5
	Shelves	6
	Doors	7



Accident prevention regulations

All relevant accident prevention regulations apply:

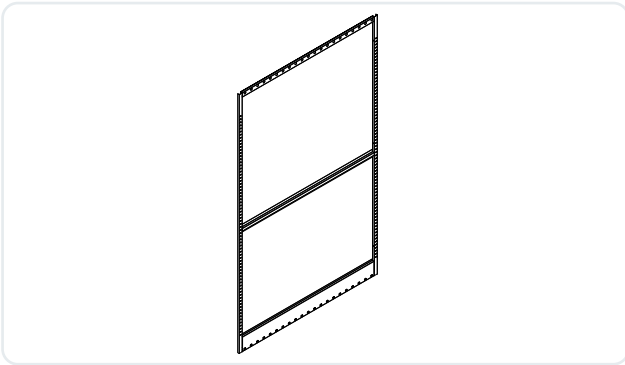
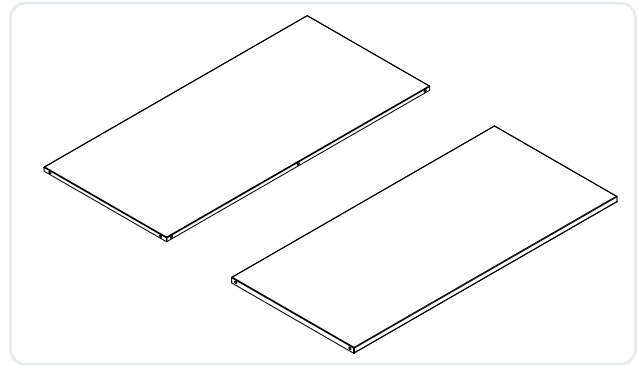
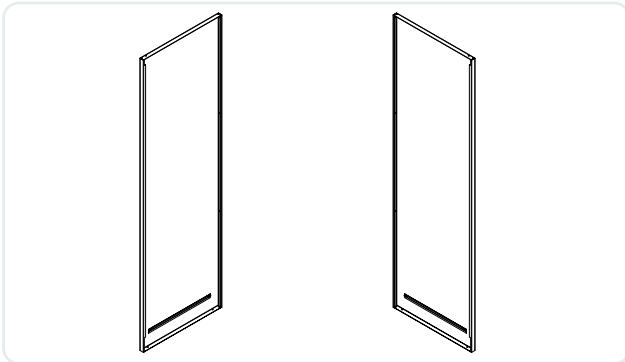
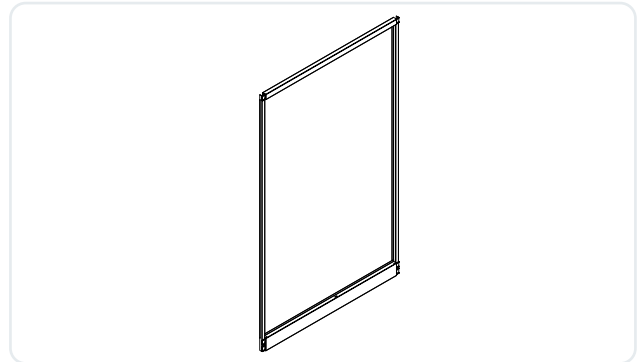
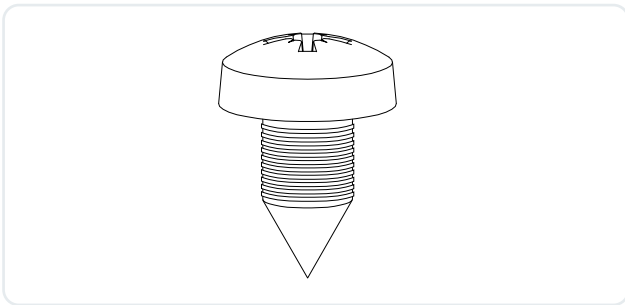
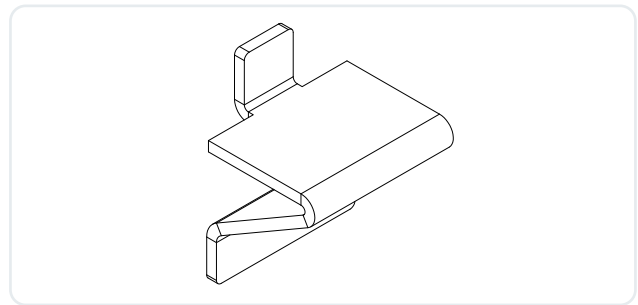
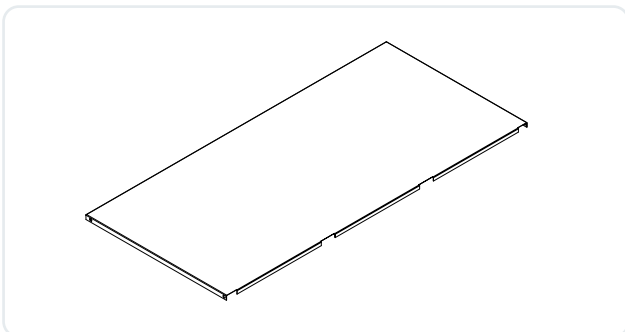
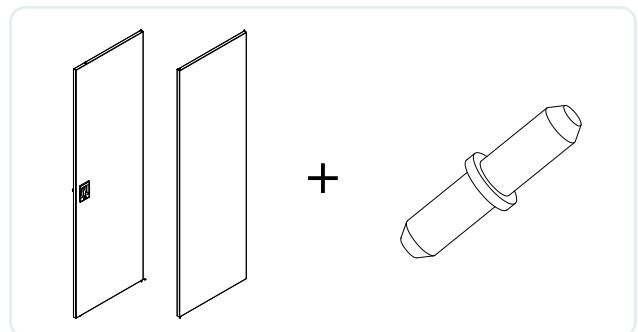
- Generally recognised safety rules
- Country-specific regulations
- Storage guidelines for facilities and equipment of the respective country

Maximum load per shelf

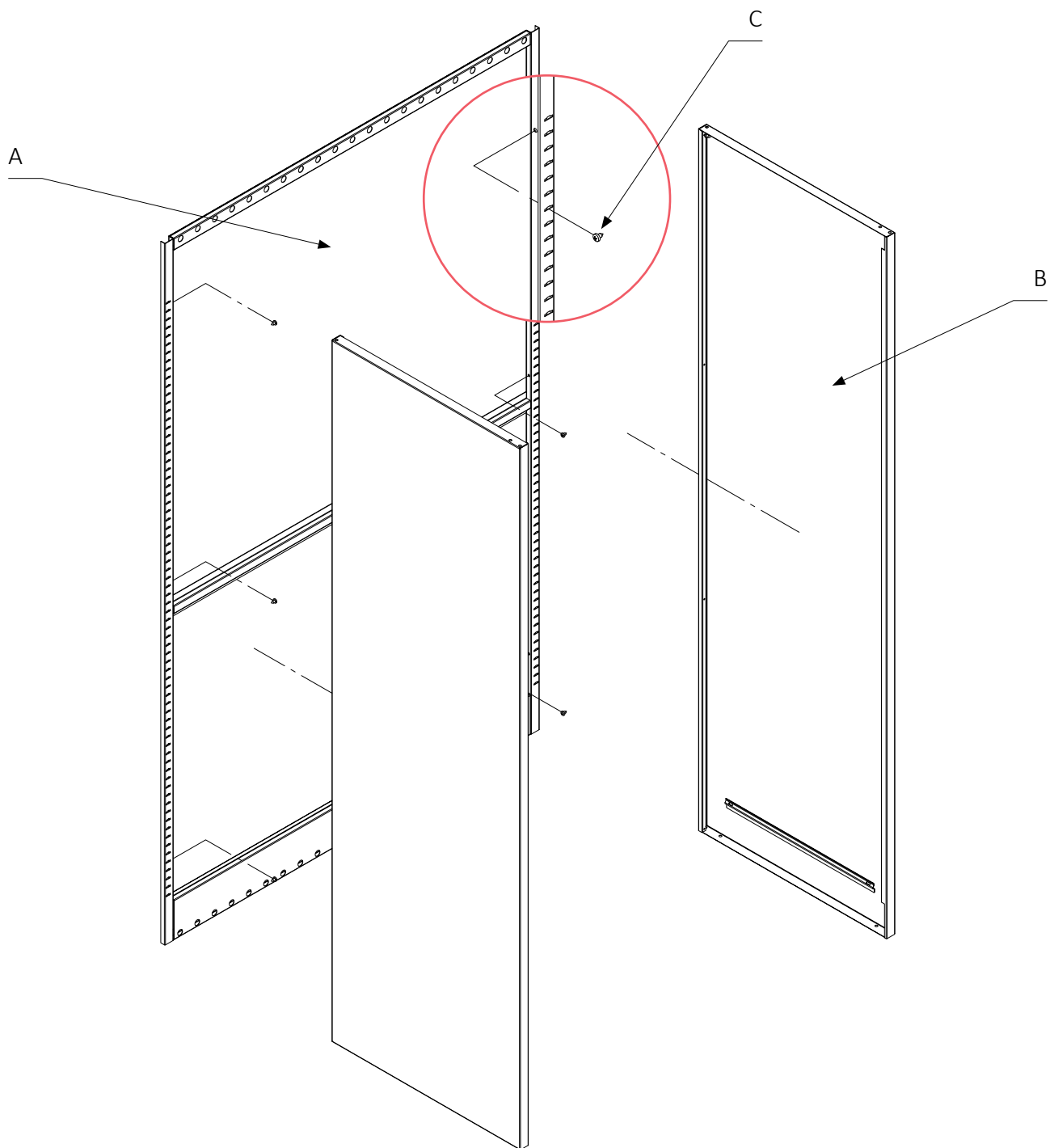
- Adjustable shelves: 60 kg / shelf
- Fixed shelf: 80 kg

Screws must not be overtightened!

COMPONENTS & ASSEMBLY MATERIAL

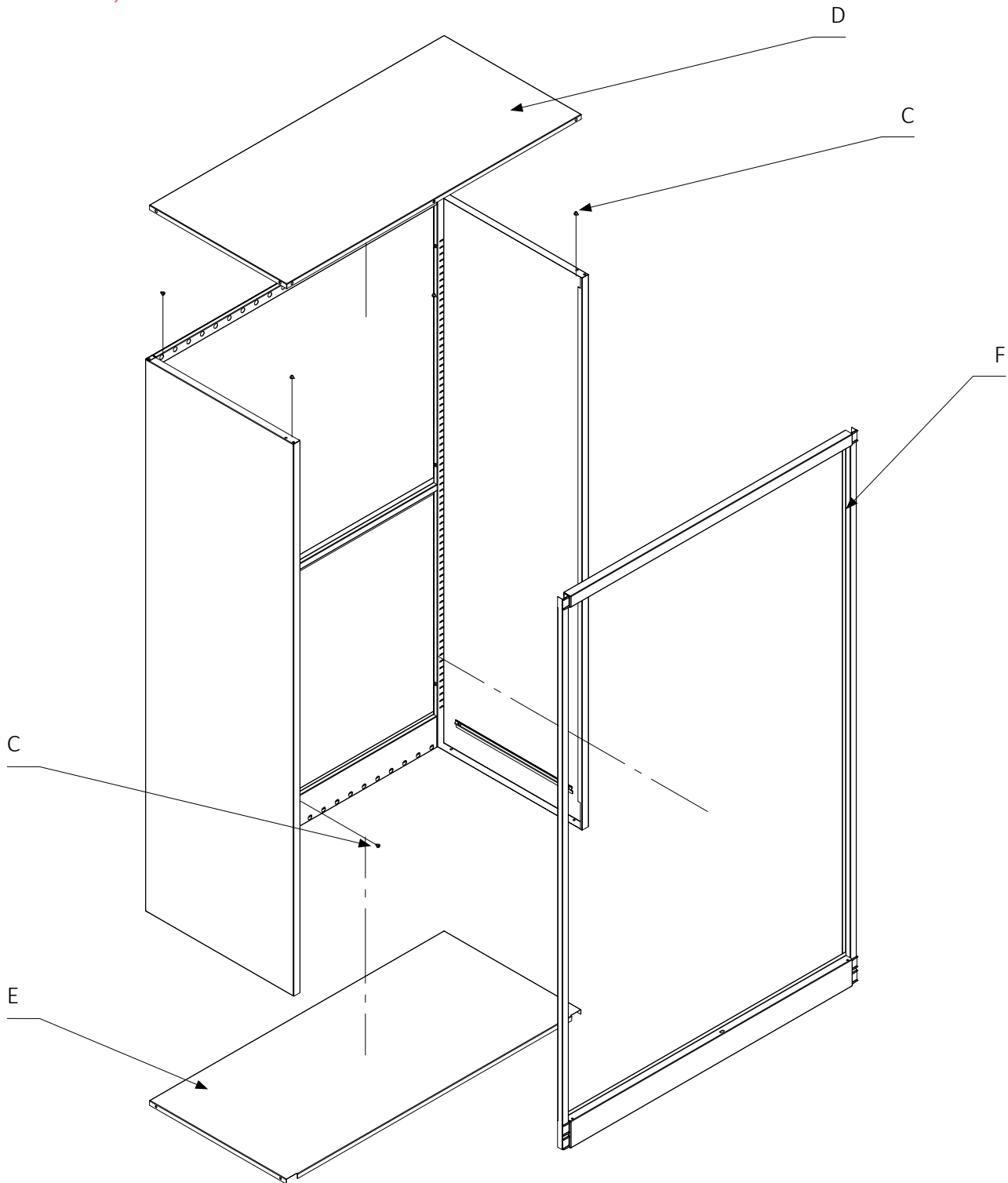
A Back panel**E** 1 x Bottom / 4 x shelves**B** Side walls (right and left)**F** Frame for double door**C** Sheet metal screw 4.8 x 10 mm**G** Clip for shelves**D** Lid / cover**H** Cabinet doors (right and left) + pin

REAR PANEL & SIDE WALLS



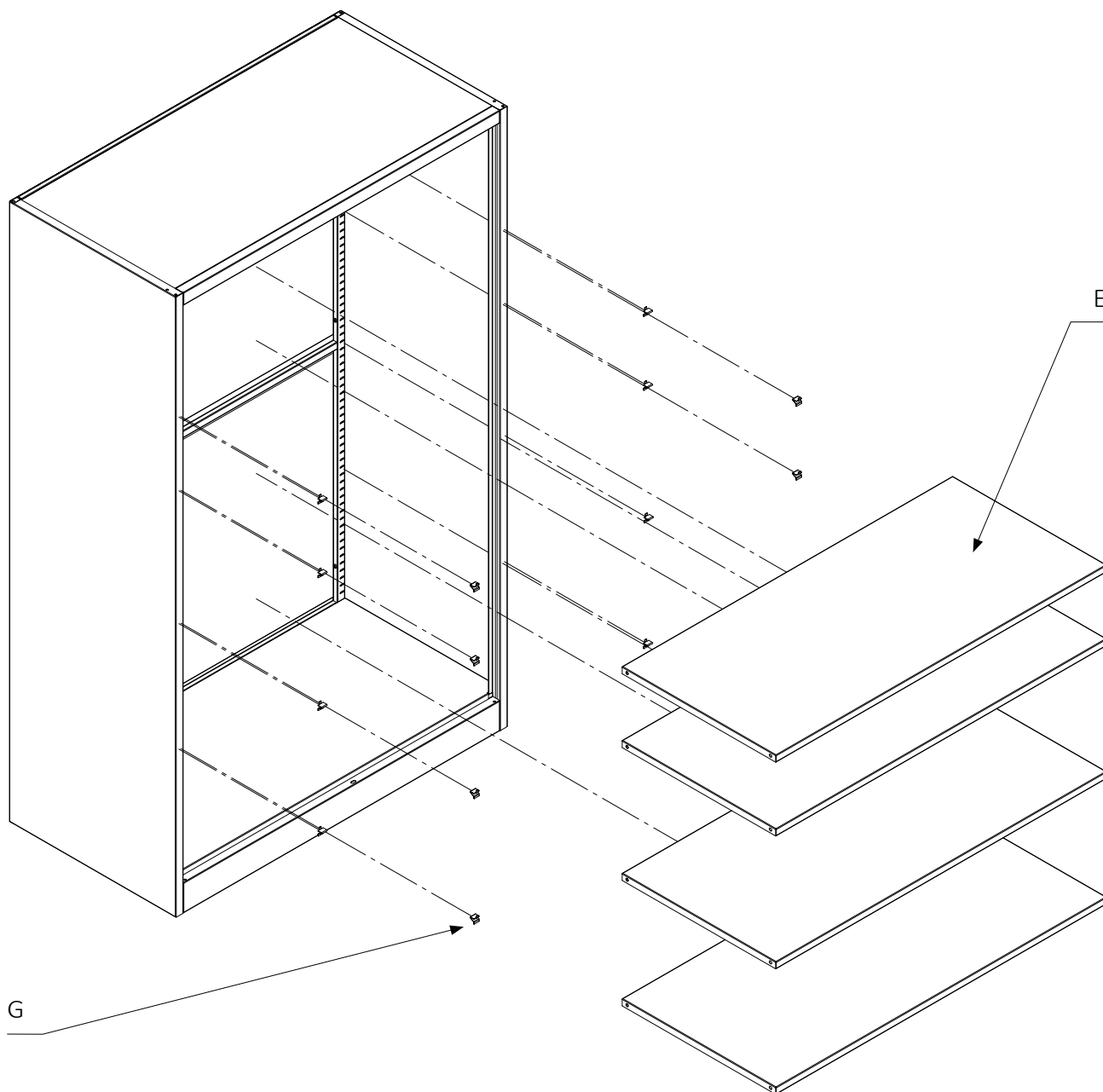
1. Hang side walls B onto the back panel A.
2. Then fix the side panels with the screws C.

BOTTOM, FRAME & LID



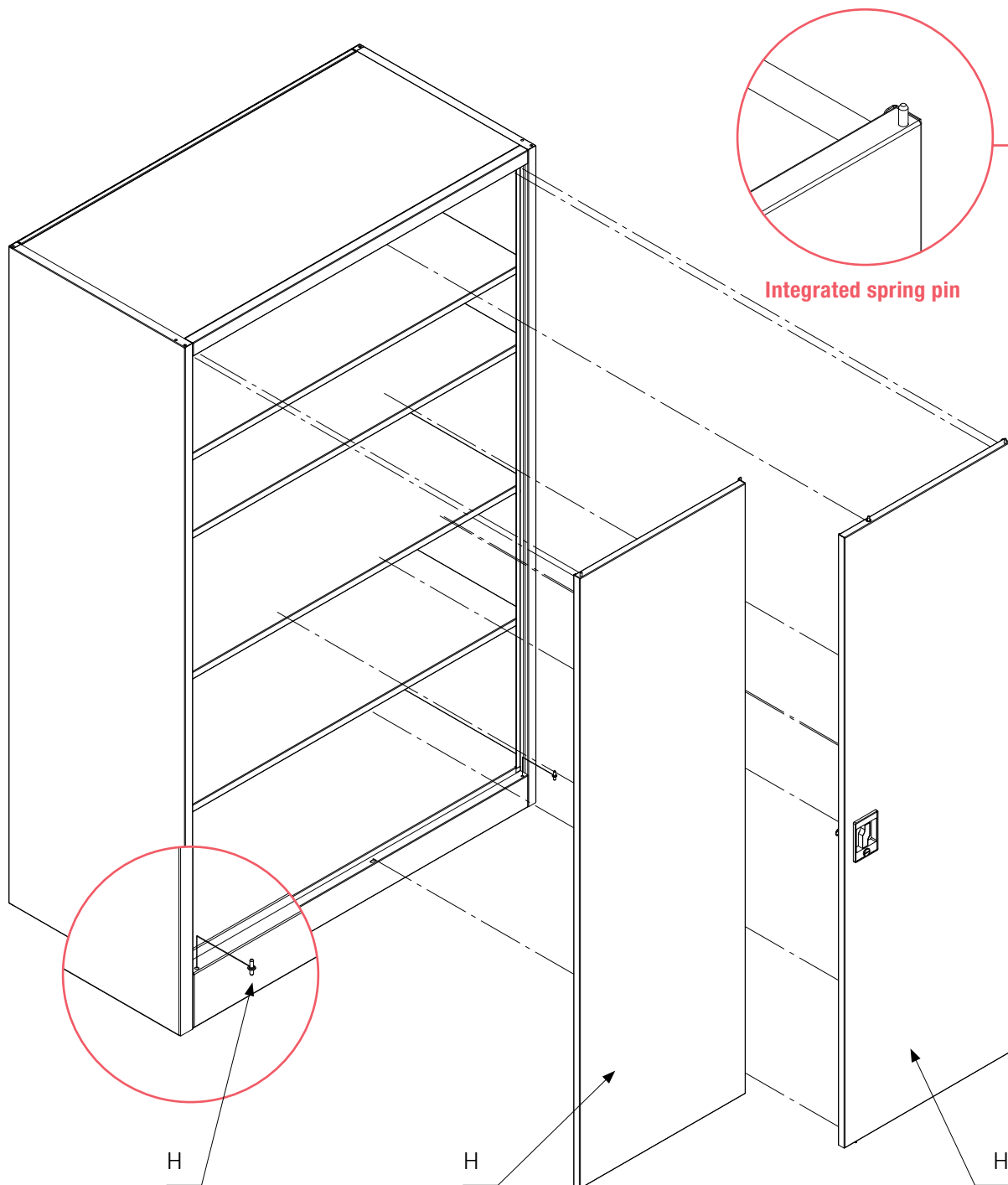
1. Insert frame F on side panels and fasten with screws C.
2. Place lid D on the side panels and screw it in place with screws C.
3. Put the ground shelf E into the side panels & frame F and fasten with screws C.

SHELVES



1. Fix the clips for the shelves G in the desired places.
2. Insert the shelves.

DOORS



1. Insert the pins for the doors.
2. Hook the doors H into the pin at the bottom.
3. Lock the integrated spring pin in the upper part of the frame.

TOPREGAL®

TOPREGAL UK Ltd.

Carlton Drive Pen Y Fan Industrial Estate
Crumlin Newport | Gwent NP11 4EA

01495 707222 | info@topregal.co.uk
www.topregal.co.uk