



INSTRUCTIONS MANUAL

Conference table

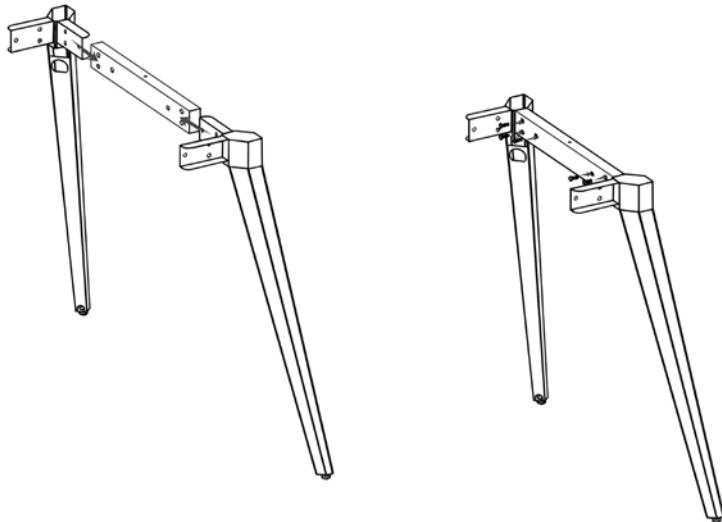
SOFIA200



Please read this manual before using the product and follow the instructions it contains!

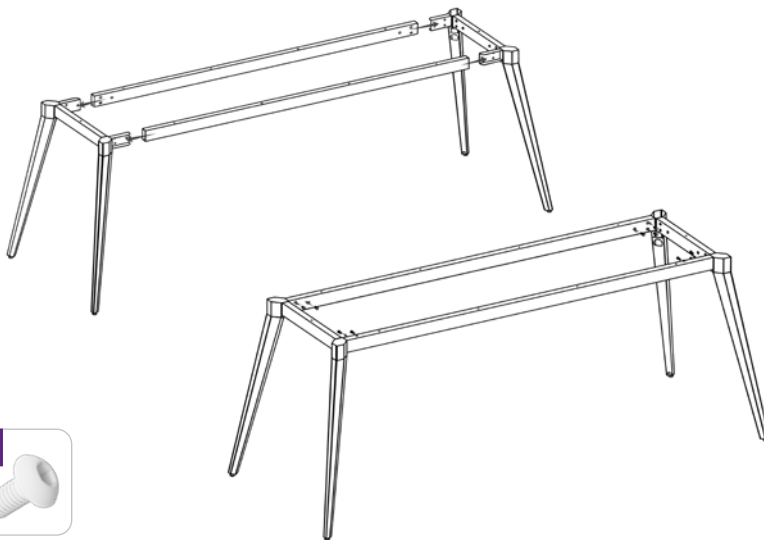
ASSEMBLY

1



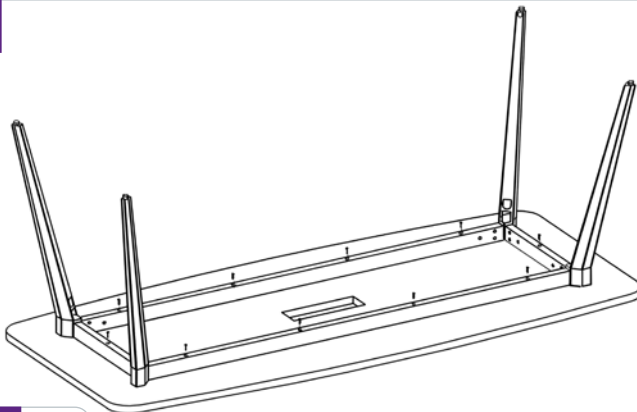
Connect two of the stand legs with a short rod and six M6x16 screws. Repeat the process with the other stand legs.

2



Connect the stand legs to the long bars and screw them tight with a total of twelve M6x16 screws.

3



Place the tabletop upside down on the floor and align the frame evenly. Make sure that the tabletop is protected from scratches. Once you have aligned the frame, secure it with the ten 20 mm screws.

4



Rotate the table and
insert the cable tray.

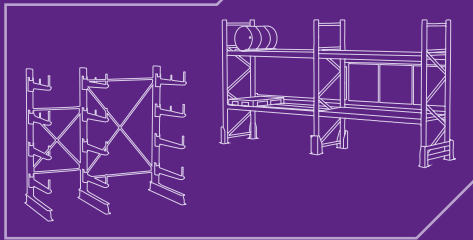
SERVICE & CONTACT

Contact our product experts and find help and solutions for your product. Here you will find all contact information listed by country and language: www.topregal.co.uk/en/service

Responsible for the content:
TOPREGAL GmbH
Industriestrasse 3
70794 Filderstadt
GERMANY
www.topregal.com

TOPREGAL

TOPREGAL



SolidHub



WIPEKET



TECMASCHIN



SOLOPORT

