



INSTRUCTIONS MANUAL

Drop bottom skip

KBB300

KBB680



Please read this manual before using the product and follow the instructions it contains!

GENERAL

Foreword	3
Definition	3
Safety instructions	4
Technical data	4
Overview of the main components	4
Operating instructions	5

MAINTENANCE

Regular inspections	5
Service & contact	5
EU Declaration of Conformity	6

FOREWORD

Congratulations on the purchase of your new drop bottom skip. The KBB300 and KBB680 have been manufactured from high quality materials, specially designed for durable and reliable use. For your own safety and for the correct operation of the drop bottom skip, be sure to read and follow these operating instructions before operating the unit. Keep these operating instructions.

Check the drop bottom skip for transport damage. Do not pull damaged forklift attachments into use. The drop bottom skip is used to transport debris and bulk material by forklift. Improper handling may result in injury or damage to the container.

Any liability for damages resulting from the improper use of the drop bottom skip or the disregard of specifications and rules of conduct of this operating manual is excluded. The operator is responsible for ensuring correct use by trained and authorized personnel.

DEFINITION

AUTHORIZED PERSON

Trained and authorized personnel who use this container, prepare it for use and provide appropriate, as well as sufficient instruction to operators. These instructions refer to:

1. Mechanics and equipment of the container
2. Causes and prevention of accidents
3. Tasks of the setter
4. Usage

OPERATOR

Trained personnel authorized by the authorized person to use this container for, among other things, safe use, setup, maintenance, cleaning, avoiding all hazards. Hazards include, but are not limited to, driving without sufficient visibility, loading in excess of the maximum traction weight, and emptying in unsuitable locations.

PROPER USAGE

Use this container in accordance with the information provided in these operating instructions.

CONTAINER

This drop bottom skip.

PPE

Personal protective equipment, such as hard helmets, safety shoes, protective gloves, protective clothing, etc.

REASONABLY FORESEEABLE MISAPPLICATION

Use of this container in a manner not envisioned by the constructor but which may result from readily predictable human behavior.

TARGET GROUP

Group of persons for whom these operating instructions are intended by the manufacturer (authorized person, operator).

SAFETY INSTRUCTIONS

- Only adults who are in full possession of their physical and mental faculties may dismantle / assemble and use this container.
- The drop bottom skip may only be used by authorized and instructed persons.
- Only use the container on suitable surfaces.
- Wear suitable PPE when assembling, maintaining and using the product.
- Place the container in a dry interior to prevent corrosion.
- Store the container only on level floors without slopes.
- Never exceed the maximum traction weight of the container. Take this from the technical data sheet.
- Only transport suitable goods in the container. The transport of people or animals is not permitted.
- Use the container only in fully functional condition. Damaged forklift attachments must be pulled out of service.
- Carry out maintenance and servicing work on a regular basis.
- It is essential to empty the container before any maintenance and servicing work.
- Only drive with sufficient visibility and at a reasonable speed when loading the container.
- Observe applicable laws on the use of transport and lifting equipment and comply with the prescribed regulations for occupational safety.
- When picking up the drop bottom skip, ensure that the weight is evenly distributed on the forks at all times. Pull it only at the forklift pockets provided for this purpose.
- Do not fill the container when it is being lifted by lifting equipment. The shift in center of gravity may cause it to slip off the forks.
- Do not fill the container unless it is fully closed and the claw is engaged on both sides of it.
- Maintain an appropriate minimum distance from bystanders and objects when emptying the container. Falling debris can cause injury and property damage.
- Do not make any changes or modifications to the container without the written consent of the manufacturer.
- Non-compliance will result in exclusion of warranty.

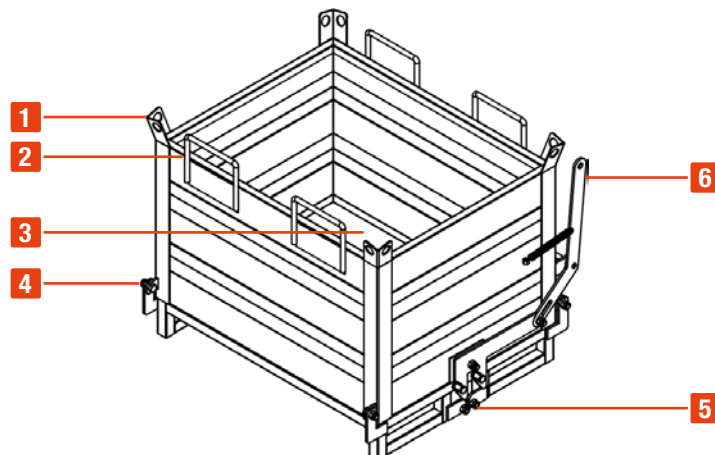
TECHNICAL DATA

Type	Unit	KBB300	KBB680
Brand		SolidHub	
Total weight	kg	80	110
Surface		Powder coated	
Material		Steel	
Max. load	kg	600	1500

Type	Unit	KBB300	KBB680
Dimensions forklift pockets	mm	188 x 100	
Distance between forklift pockets	mm	188	
Material thickness	mm	2	
Total width	mm	768	986
Total depth	mm	1000	1000
Overall height	mm	650	850
Inner dimensions	mm	532 x 932 x 410	732 x 932 x 610
Volume	l	300	680
Chain length	mm	2700	

OVERVIEW OF THE MAIN COMPONENTS

No.	Name
1	Eyelet
2	Forklift pocket
3	Hinge
4	Folding bottom
5	Claw
6	Lever



OPERATING INSTRUCTIONS



Before using the drop bottom skip, attach a rope to the lever to allow it to be opened from the operator's cab.

1. Fill the drop bottom skip with the hinged bottom closed (4).
2. Pull the drop bottom skip by crane and slings at the 4 eyelets (1) or by forklift at the 4 forklift pockets (2).
3. Check the load once again before starting transport. If necessary, set the forks at a slight angle to prevent them from slipping.
4. Drive to the desired unloading location.
5. Pull the lever (6) to open the folding floor (4). The bulk material falls out.
6. Drive over a level surface and allow the flaps of the floor to swing out.
7. Lower the drop bottom skip so that the flaps slide up again. As soon as the container is closed again and the claw (5) is engaged, you can fill it again.



Pay attention to the maximum traction weight of your lifting equipment and do not overload it. The maximum traction weight of the folding floor container is 600 kg (KBB300) and 1500 kg (KBB680).

REGULAR INSPECTIONS

1. Perform a daily visual inspection. Pay particular attention to:
 - » Moving components, such as hinges, claw and lever.
 - » Corrosion
 - » Damage to the interior and underneath the folding floor that may result from use
 - » The eyelets and the forklift pockets
2. Have the container inspected annually by a competent person.

SERVICE & CONTACT

Contact our product experts and find help and solutions for your product. Here you will find all contact information listed by country and language: www.topregal.co.uk/en/service

Responsible for the content:
TOPREGAL GmbH
Industriestrasse 3
70794 Filderstadt
GERMANY
www.topregal.com

EU Declaration of Conformity

The manufacturer

**TOPREGAL GmbH
Industriestrasse 3
70794 Filderstadt
Germany**

hereby declares that the following product

Product designation:

Drop bottom skip

Type:

KBB300

KBB680

Serial number:

KBB300-1000000000 - KBB300-9999999999

KBB680-1000000000 - KBB680-9999999999

complies with all relevant provisions of the applicable legal regulations (hereinafter) - including their amendments in force at the time of the declaration. The sole responsibility for issuing this declaration of conformity lies with the manufacturer. This declaration refers only to the machine in the condition in which it was placed on the market; parts and / or interventions subsequently fitted by the end user are not taken into account.

Conforms to the provisions of the following standards:

BS EN 840-2

Name and address of the person who is authorized, compile the technical documentation:

TOPREGAL GmbH
Industriestrasse 3
70794 Filderstadt
Germany



Place: Filderstadt
Date: 24.07.2023

Juergen Effner
Chief Executive Officer

SolidHub