



ASSEMBLY INSTRUCTIONS

Solar carport

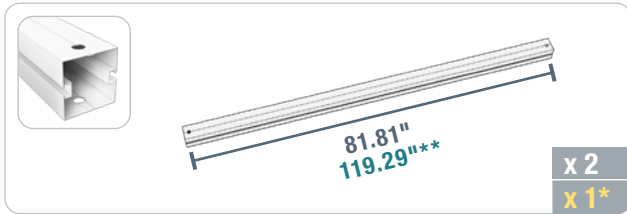
SP40/5-1 | SP40/5-1A | SP40/5-1W | SP40/5-1AW
SPG5 | SPG5-A | SPG5-W | SPG5-AW
SPG | SPG-A | SPG-W | SPG-AW



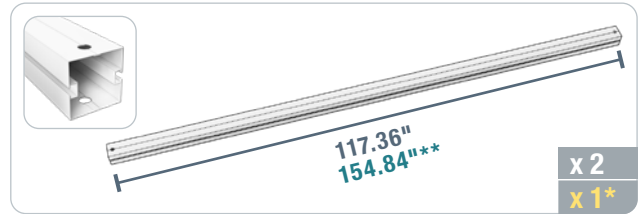
Please read this manual before using the product and follow the instructions it contains!

PARTS LIST

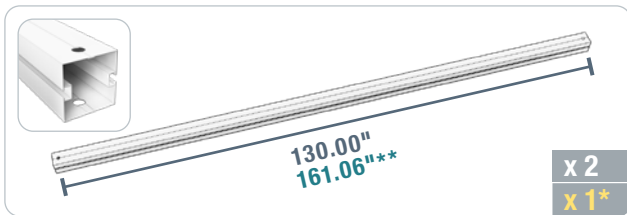
A Support post 1



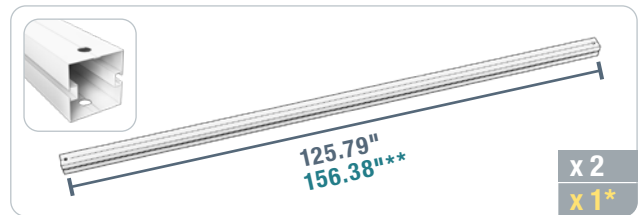
B Support post 2



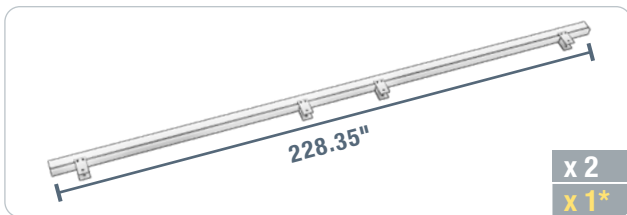
C Support post 3



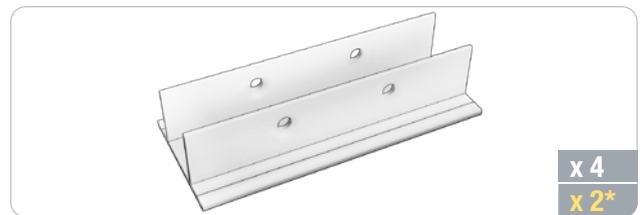
D Support post 4



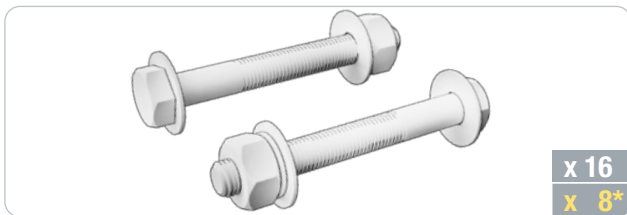
E Longitudinal beam



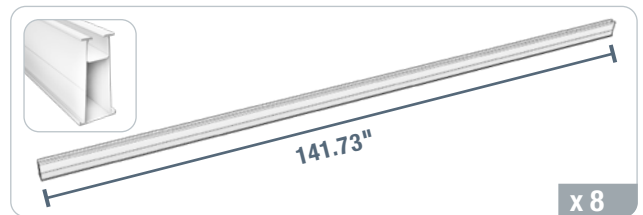
F Base



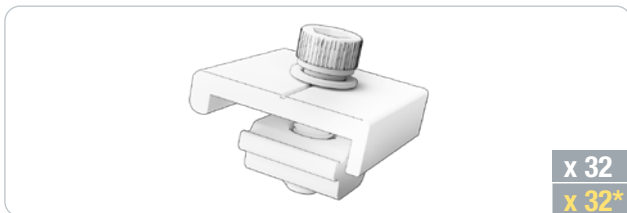
G 5/8 x 5 1/8 hexagon head screw



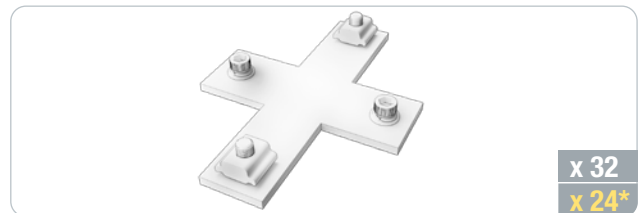
H Cross beam



I Cross beam clamp



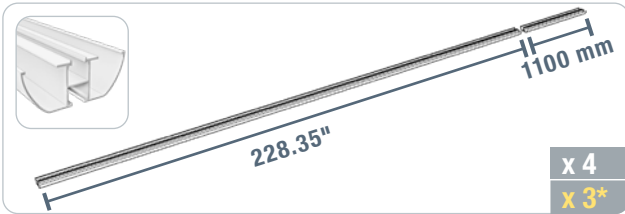
J Cross clamp



* Quantity for an extension

** Quantity and dimensions for SPG-W, SPG-AW, SP40/5-1W, SP40/5-1AW, SPG5-W, SPG5-AW

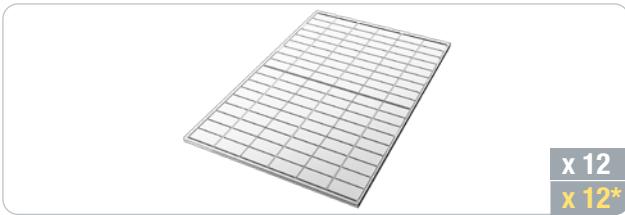
K Longitudinal beam with rain gutter (short / long)



L Rain gutter connection



M Solar module



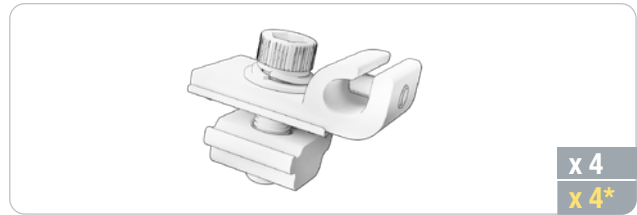
N Outer clamp



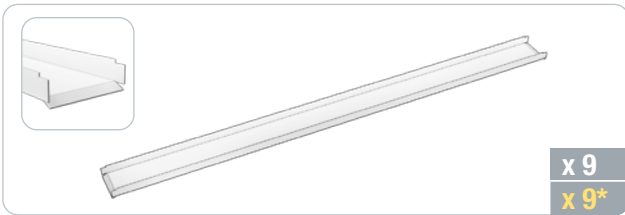
O Center clamp



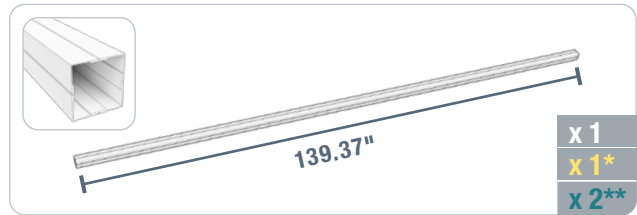
P Ground clamp



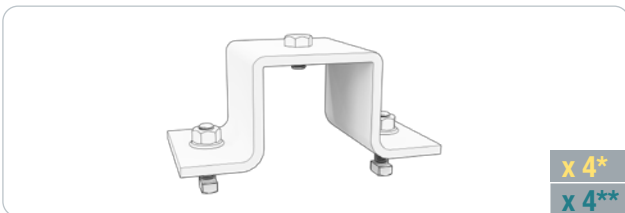
Q Rain gutter



R Square profile



S Bracket for square profile (R)



T Cover for longitudinal beam (E)



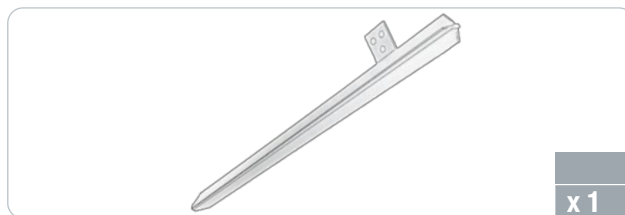
* Quantity for an extension

** Quantity and dimensions for SPG-W, SPG-AW, SP40/5-1W, SP40/5-1AW, SPG5-W, SPG5-AW

U Electrical cabinet

V LED light

W Motion detector

X Ground spike


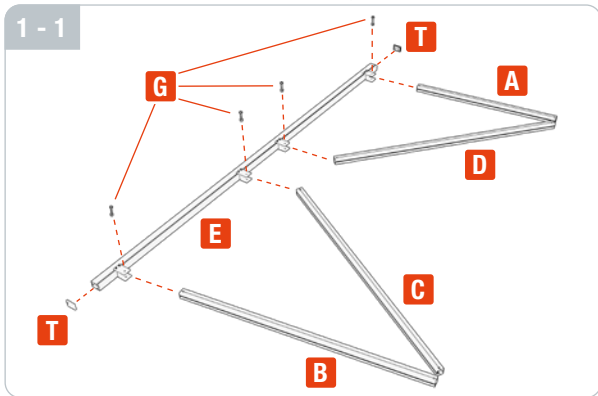
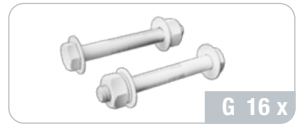
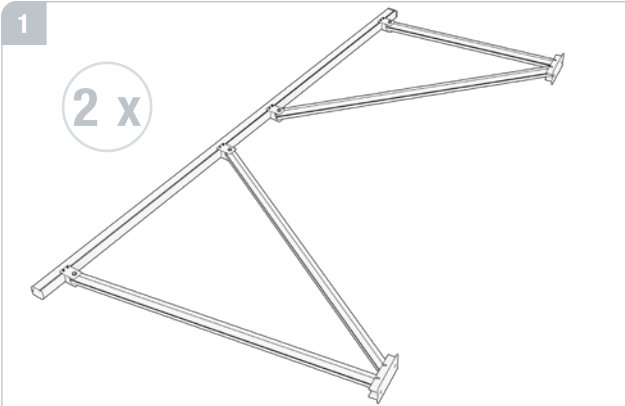
For the installation instructions for the **extensions**, see page 10.



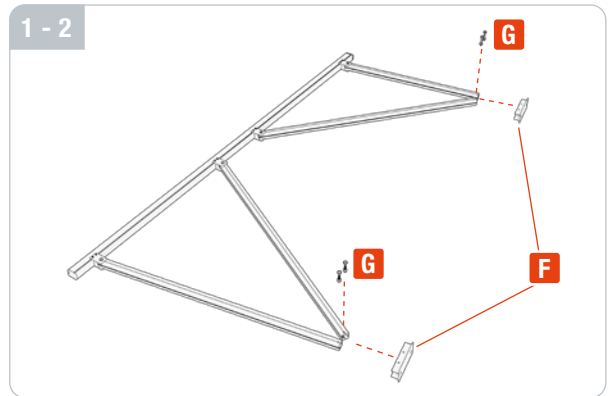
Before setting up the carport, it must be ensured that the location has a level and stable ground condition. After installation, the carport must be fixed to the ground. It must be ensured that the ground is suitable for anchoring.

Wear suitable personal protective equipment (PPE) such as safety shoes, gloves, helmet and safety goggles during assembly.

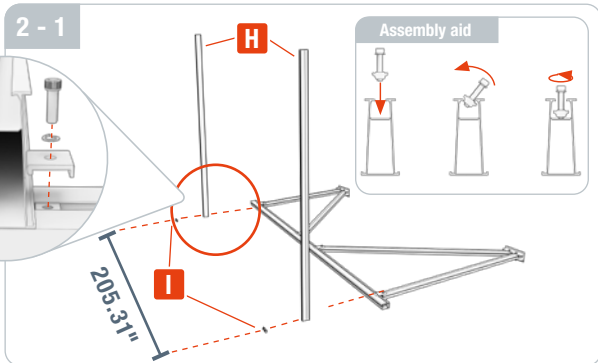
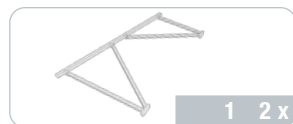
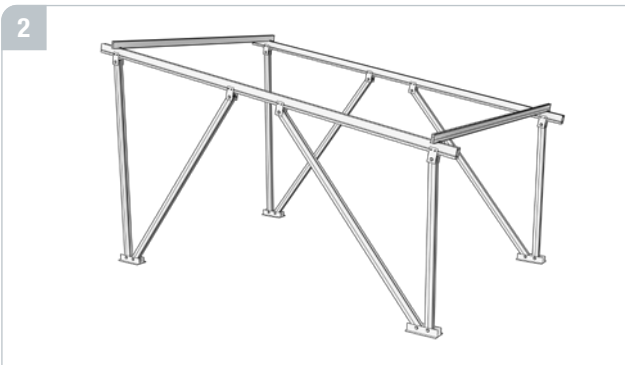
ASSEMBLY BASE FIELD



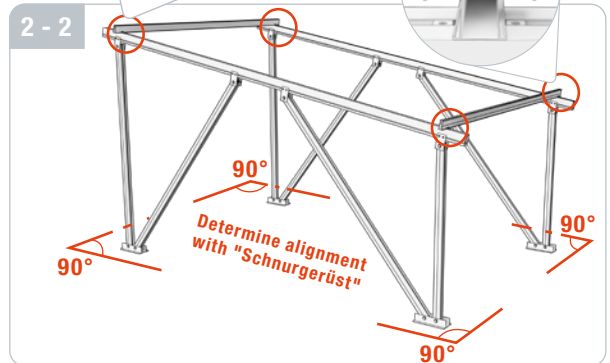
Place the aluminum profiles for the side frame on the ground. Attach the support posts (A, B, C, D) to the longitudinal beam (E). Use the enclosed 5/8 x 5 1/8 hexagon head screws (G) for this and tighten them hand-tight. Fit the covers (T) onto the ends of the longitudinal beams (E).



Attach the bases (F) to the free ends of the support posts (A, B, C, D). Use the enclosed 5/8 x 5 1/8 hexagon head screws (G) for this.



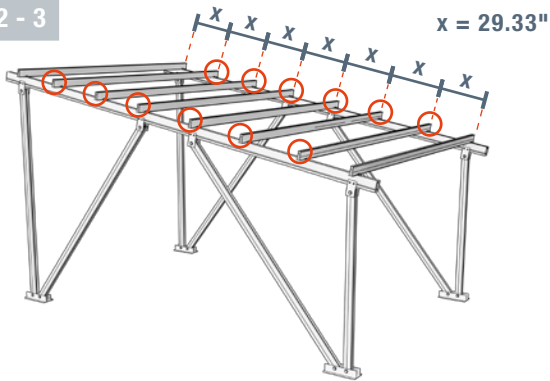
Mount the outer cross beams (H) to the longitudinal beam (E) using the cross beam clamps (I). Place them directly over the vertical support posts (A, B) to ensure direct force transmission. The center distance of the cross members (H) is 205.31". For easier assembly, see 'Assembly aid'.



Position the two side frames parallel to each other so that the two assembled cross beams (H) rest on the other longitudinal beam (E). Fit these cross beams (H) using the clamps (I). Tighten all screws. The support posts must be mounted in such a way that a dimension of 136.22" results from the center of the post to the center of the post.

* Measured from the center of the post to the center of the post

2 - 3



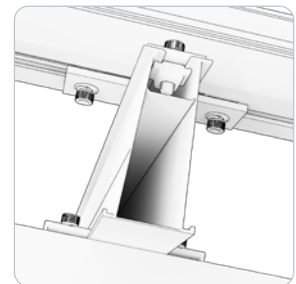
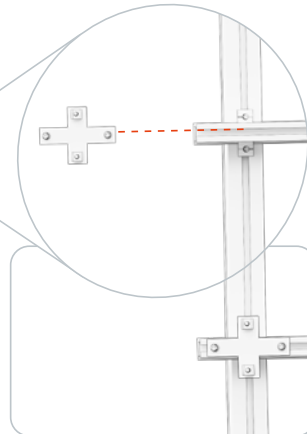
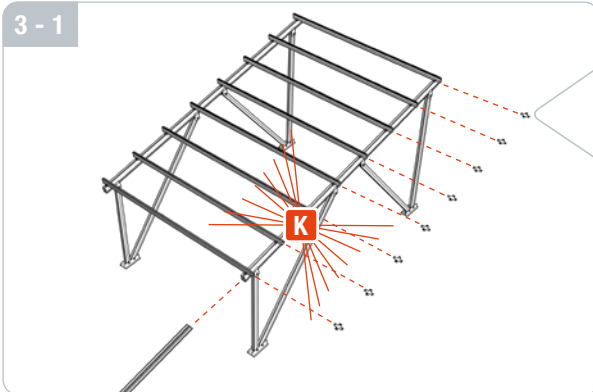
Install the remaining cross beams (H) at even intervals of 29.33" (x) between the first two cross beams. Proceed as described in step 2-1.



3

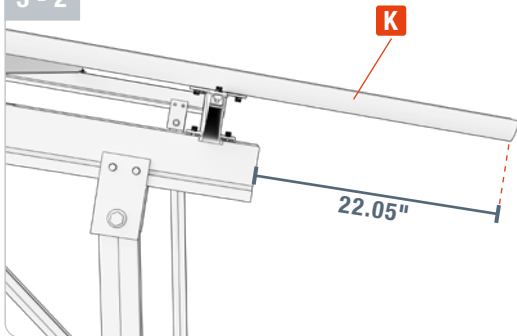


3 - 1



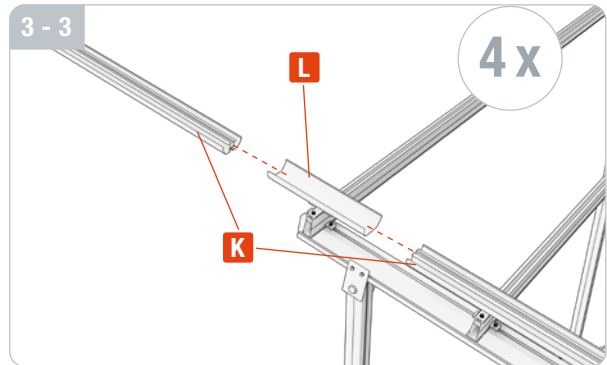
Insert the long side of the cross clamps (J) into the cross beams (H). Guide the long side rail piece (K) through the mounted cross clamps. Slide the longitudinal beam with rain gutter (K) from below into the upper area of the carport.

3 - 2



The longitudinal beams with gutter (K) should protrude 22.05" at the deep end of the carport. Align the first outer longitudinal beam with rain gutter (K) with the end of the cross beam and fit the 3 other long longitudinal beams with rain gutters (K) pieces according to the width of the solar panels. Tighten the hexagon socket screws of the cross clamps (J) in alignment with the cross beams for each longitudinal beam.

3 - 3

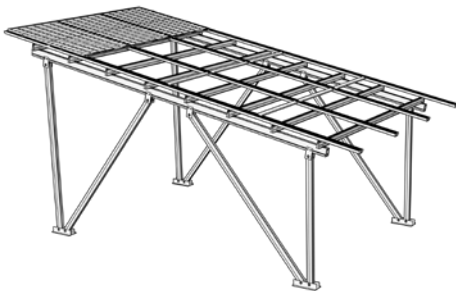


Connect the longitudinal beam with rain gutter (K) to the connecting piece (L). Slide the short and long piece of the longitudinal beam with rain gutter (K) onto the connecting piece (L). Repeat this process for all longitudinal beams with rain gutter (K). Tighten the hexagon socket screws of the cross clamps (J) in alignment on the cross beams for each longitudinal beam.

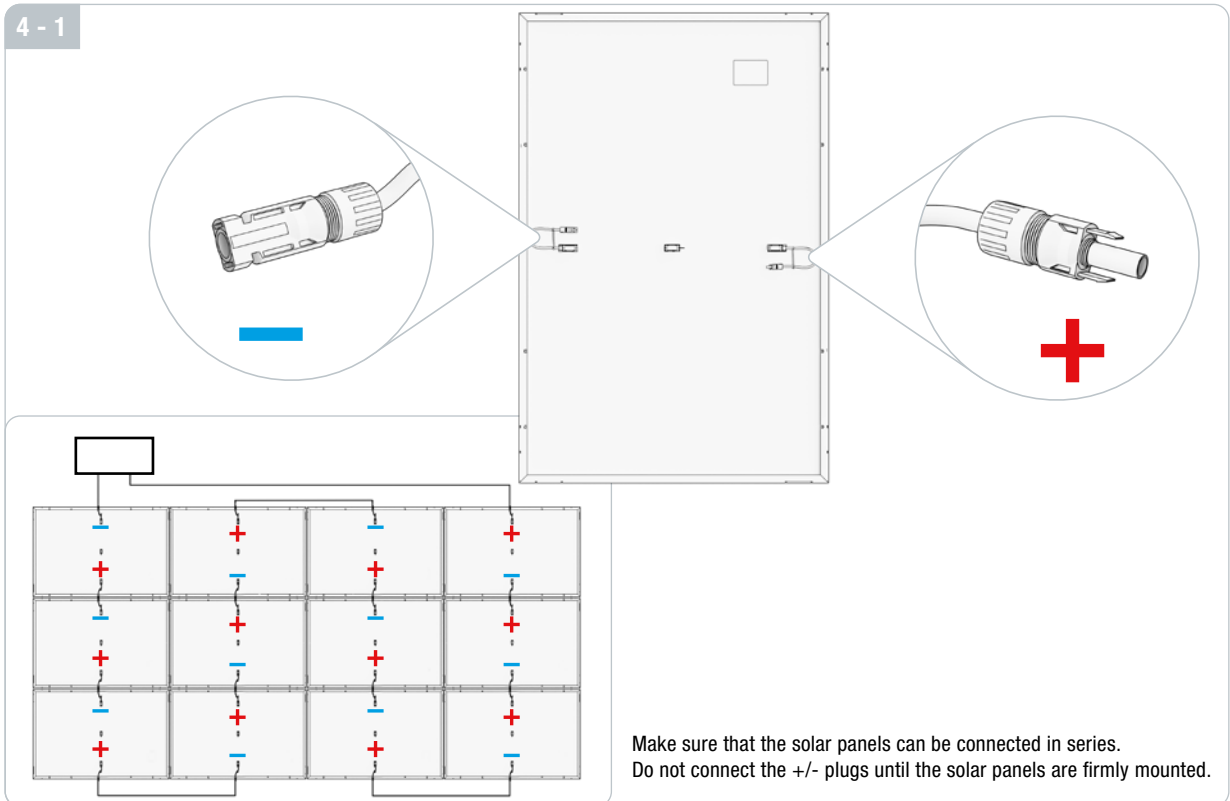


When attaching the solar modules, it is advantageous to slightly loosen one of the middle longitudinal beams with rain gutter (K+L) again in order to have more room for maneuver during installation. Make sure that the longitudinal beams with rain gutter (K+L) cannot slip out.

4

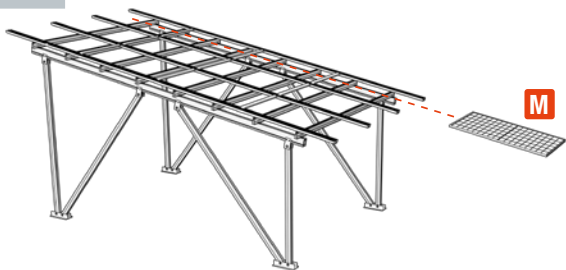


4 - 1



Make sure that the solar panels can be connected in series. Do not connect the +/- plugs until the solar panels are firmly mounted.

4 - 2

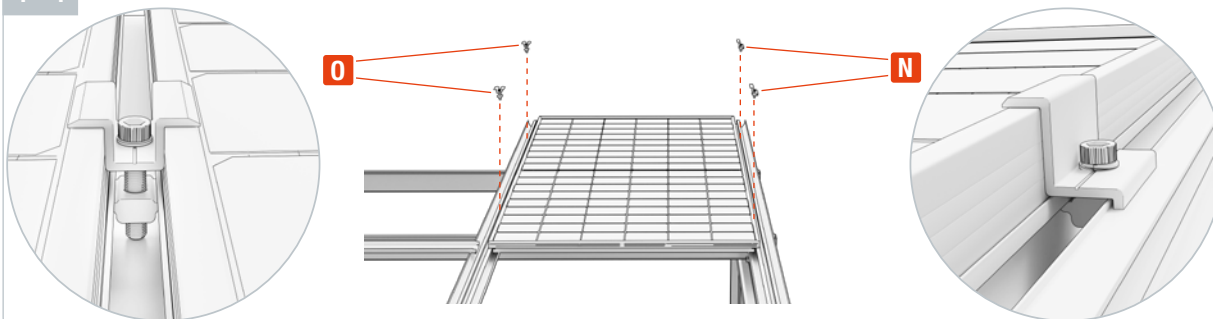


Slide the first solar module (M) from bottom to top onto the longitudinal beams with rain gutter (K). Align the inner longitudinal beam according to the width of the solar module and tighten the cross clamps (J) firmly.

4 - 3

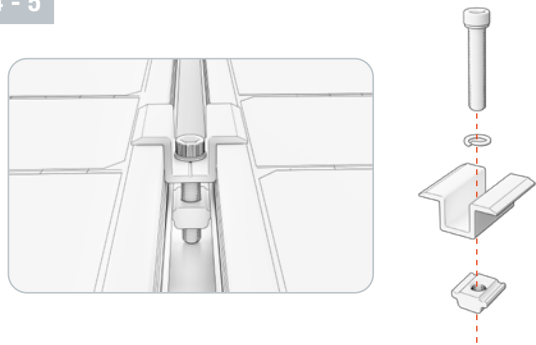


4 - 4



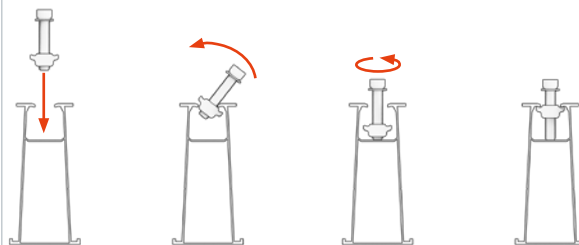
Attach the solar panel to the outer longitudinal beams with rain gutters (K) using the outer clamps (N). Fasten the solar panel with the center clamps (O), see step 4-5.

4 - 5

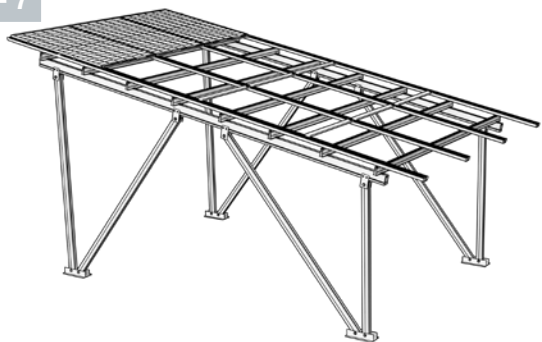


Install the center clamps (O) as shown in the illustration.

4 - 6

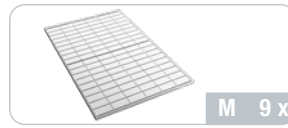
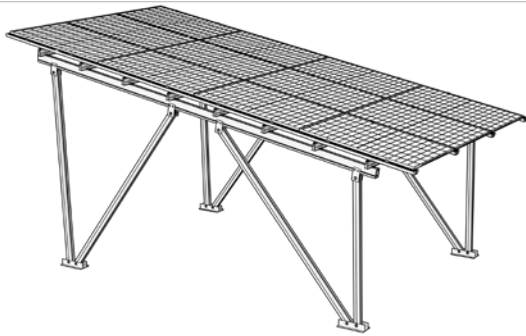


4 - 7

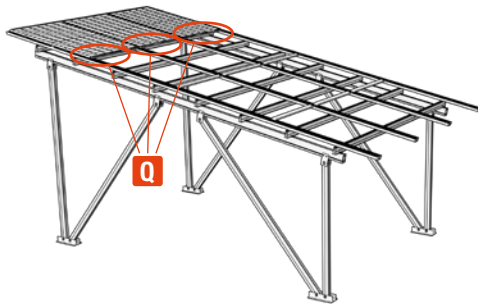


Repeat this process 2 times.

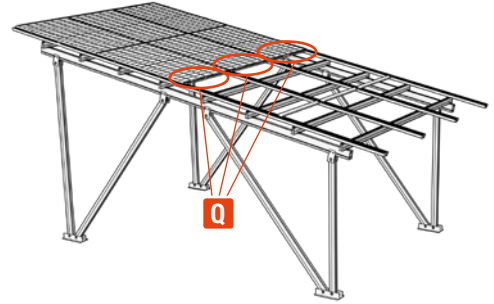
5



5 - 1

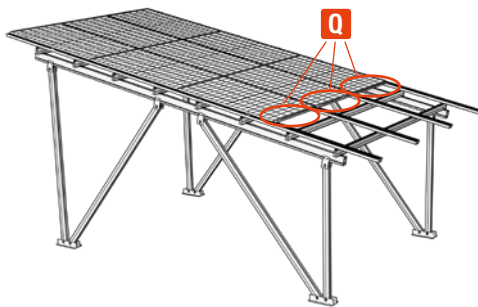


5 - 2

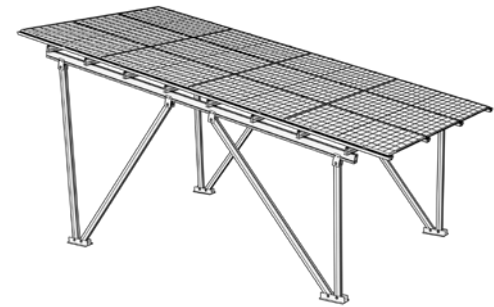


Align the upper longitudinal beams with rain gutter (K) parallel again. After each row, insert three rain gutters (Q) at right angles to the longitudinal beams by carefully lifting the solar panels and sliding the rain gutters (Q) underneath. Tighten the clamps (N+O).

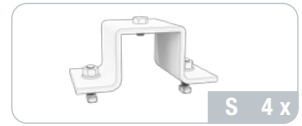
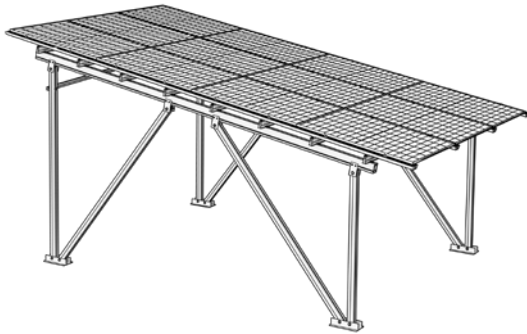
5 - 3



5 - 4



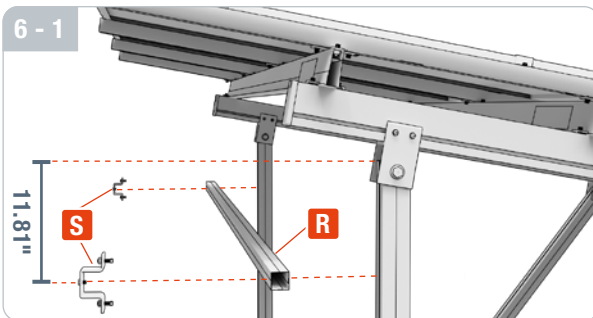
6



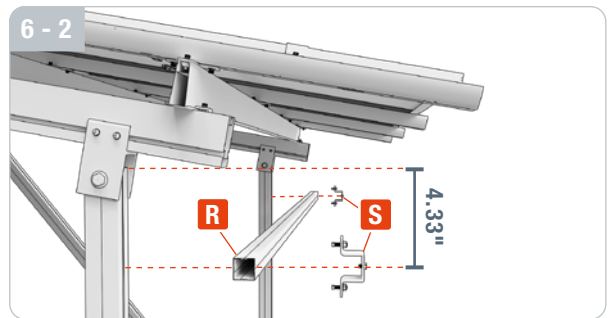
The square profile (R) is screwed to the front bases (B) using the brackets (S) for additional stability. To do this, the T-bolts must be inserted into the guides of the bases and tightened with the hexagon head screw.

For the motorhome variant, a square profile (R) is also attached to the rear base using the brackets (S), see step 6-2.

6 - 1



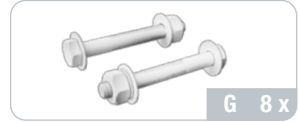
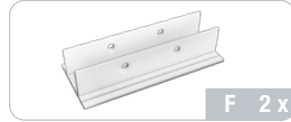
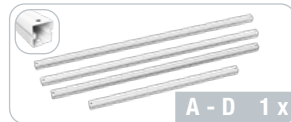
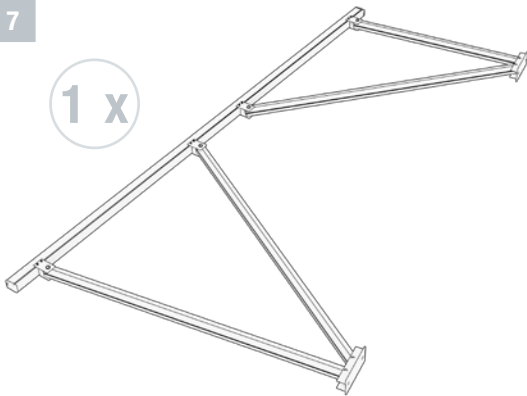
6 - 2



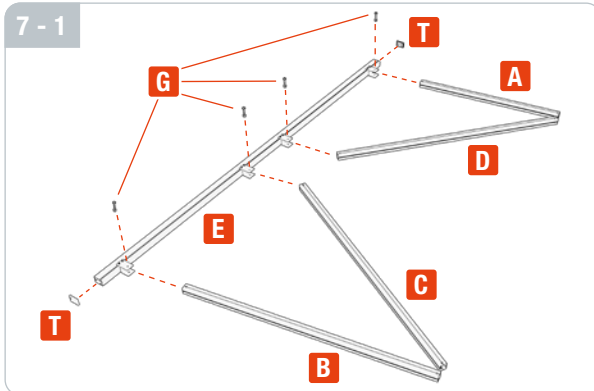
ASSEMBLY EXTENSION

7

1 x

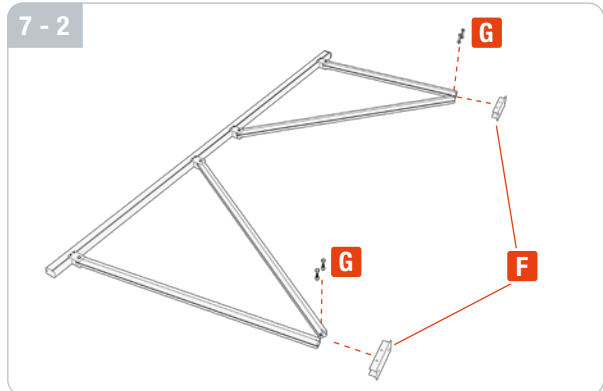


7-1



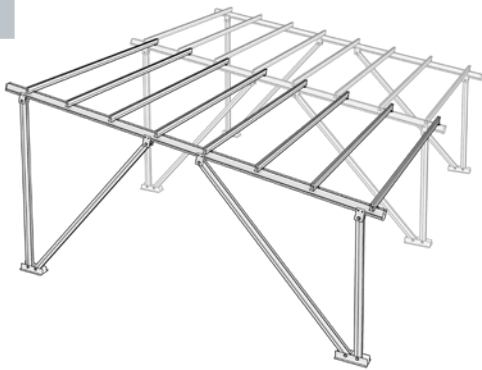
Place the aluminum profiles for the side frame on the ground. Attach the support posts (A, B, C, D) to the longitudinal beam (E). Use the enclosed 5/8 x 5 1/8 hexagon head screws (G) for this and tighten them hand-tight. Fit the covers (T) onto the ends of the longitudinal beams (E).

7-2

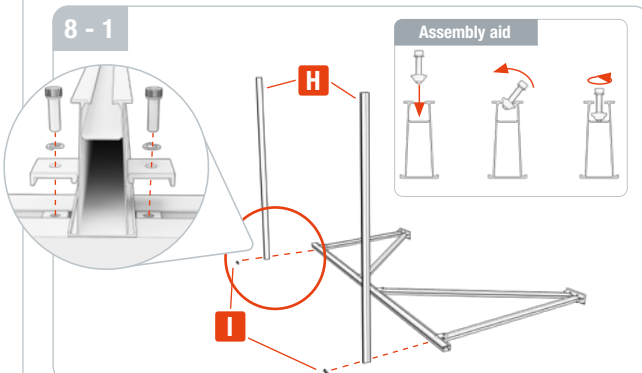


Attach the bases (F) to the free ends of the support posts (A, B, C, D). Use the enclosed 5/8 x 5 1/8 hexagon head screws (G) for this.

8

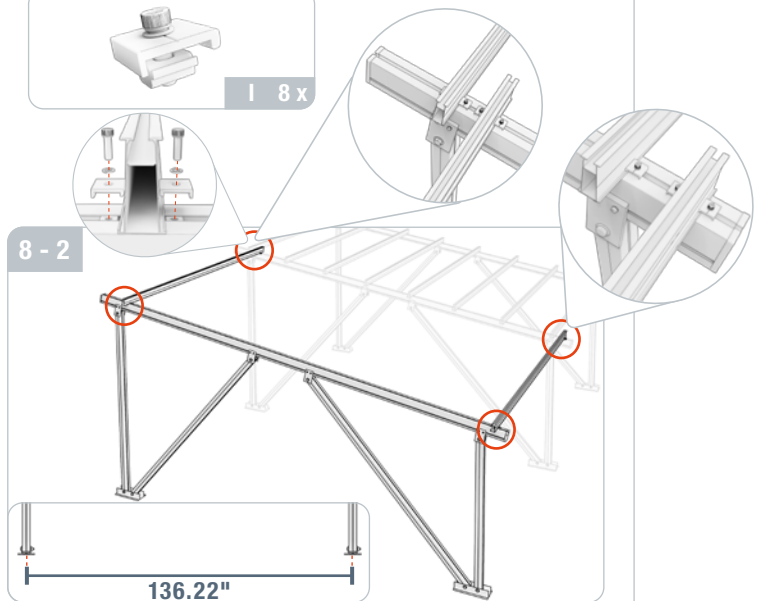


8-1



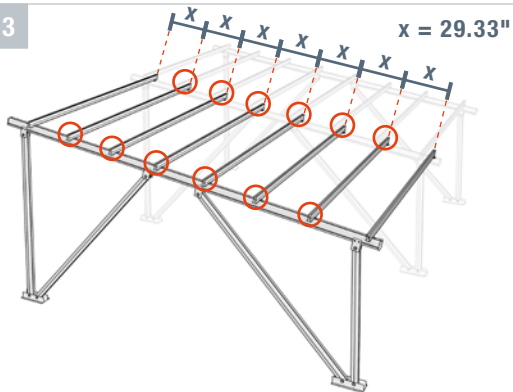
Mount the outer cross beams (H) to the longitudinal beam (E) using the cross beam clamps (I). Position them 5.91" offset to the vertical support posts (A, B) so that they can be mounted next to the cross beams of the already assembled carport.

8-2



Position the side frame parallel to the base section so that the two mounted cross beams (H) rest on the other longitudinal beam (E). The rear cross beam is placed behind the last cross beam (H) of the base section. Fit the cross beams (H) using the clamps (I). Tighten all screws.

8 - 3

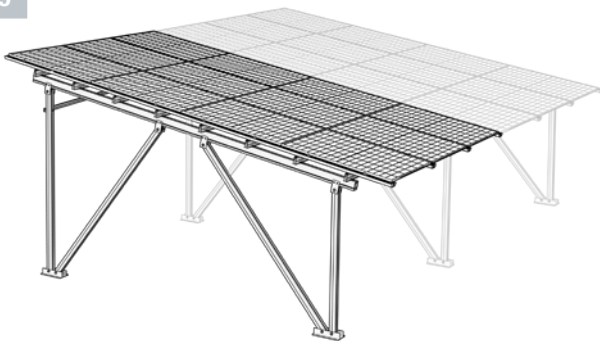


Fit the remaining cross beams (H) in the center of the cross beams of the base panel. Proceed as described in steps 2-3.

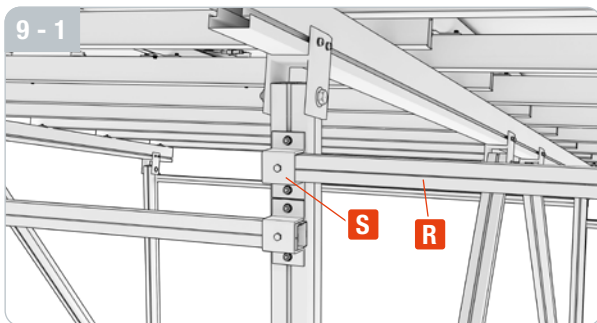


All other steps can be derived from the installation steps for the base field. See page 6, from step 3.

9



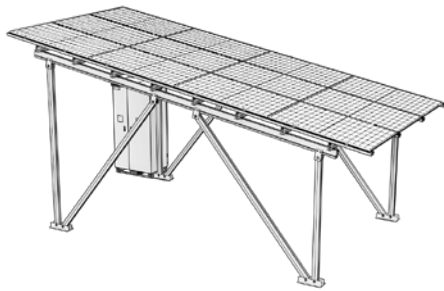
9 - 1



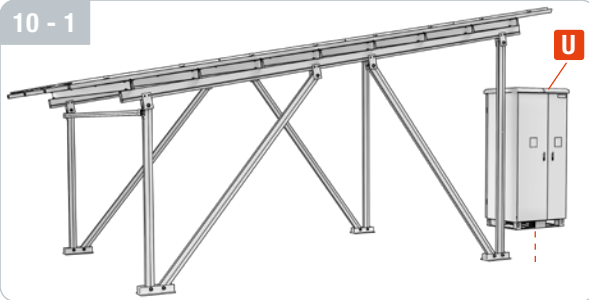
A square profile (R) is fitted to the front and rear support posts of the motorhome carports. The square profile (R) is attached to the base (A & B) with the square profile brackets (S) above or below the already installed square profile for additional stability. See step 6.

ASSEMBLY OF ELECTRIC CABINET, LED LIGHT AND GROUND SPIKE

10

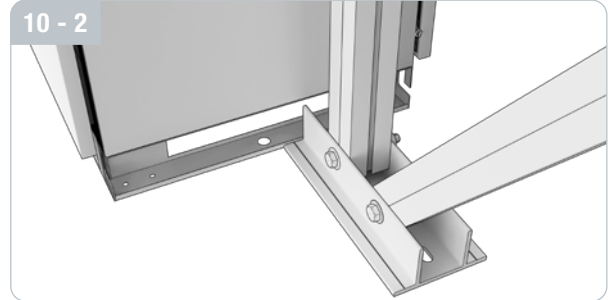


10 - 1



Position the electric cabinet (U) on one of the outer posts (A or B).

10 - 2

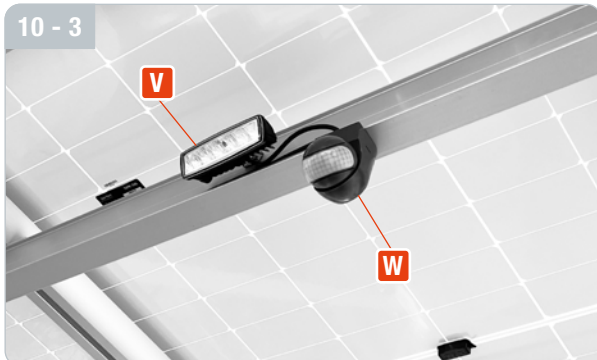


Attach the bases (F) to the free ends of the support posts (A, B, C, D). Use the enclosed 5/8 x 5 1/8 hexagon head screws (G) for this.



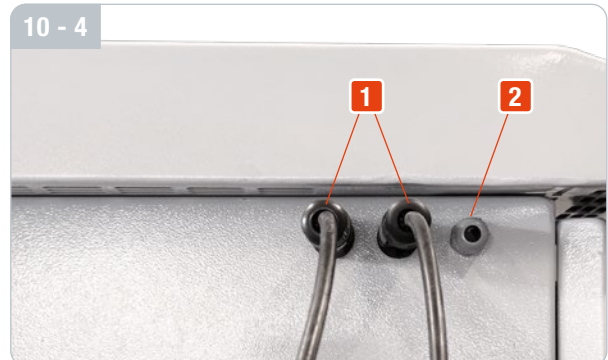
- You can flexibly select the position of the LED light and the motion detector.
- The LED light, motion detector and power cable are located inside the electric cabinet.
- De-energize the electric cabinet before assembly of the LED light.

10 - 3



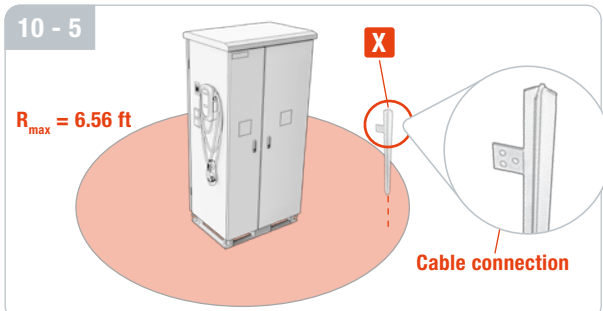
1. Find a suitable position on one of the cross beams of the carport to install the light and motion detector.
2. Before assembly, check whether the 6 m cable is long enough to pull it from the electric cabinet to the desired position.
3. Screw the U-profile to the mounting position of the LED light.
4. Attach the motion detector in the immediate vicinity of the U-profile.
5. Screw the light to the U-profile. You can choose the desired beam angle yourself.
6. Lay the power cable over the cross beams to the electric cabinet.

10 - 4



Plug in the cables of the solar modules and the power cable of the light once assembly is complete. Plug the cables of the solar modules into 1 and the cable of the light into connection 2.

10 - 5



Drive the ground spike (X) into the ground at a maximum distance of 6.56 ft from the electric cabinet. Attach the cable to the upper end.

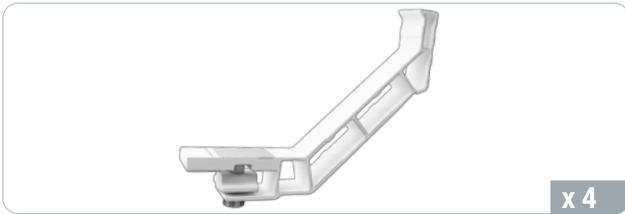
10 - 6



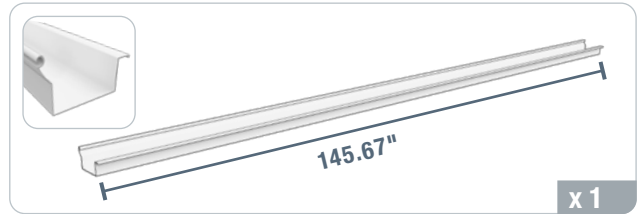
Connect the other end of the cable to the equipotential bonding bar. This can be found inside the electric cabinet.

PARTS LIST - RAIN GUTTER

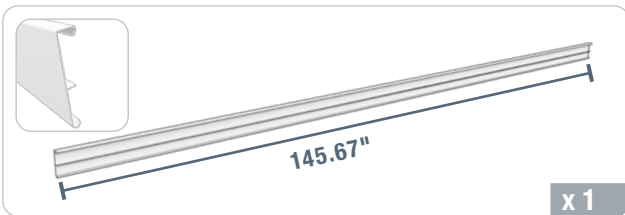
A Rain gutter brackets



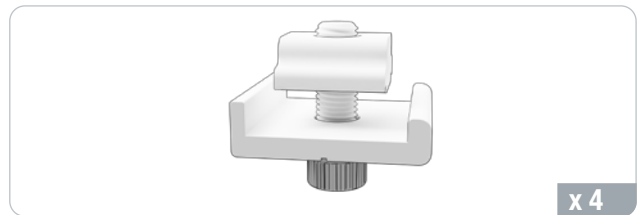
B Rain gutter - lower part



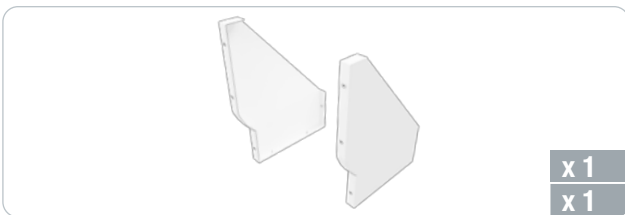
C Rain gutter - upper part



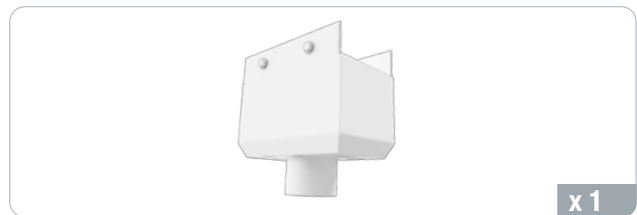
D Rain gutter clamp



E Side panels left / right



F Water collection container



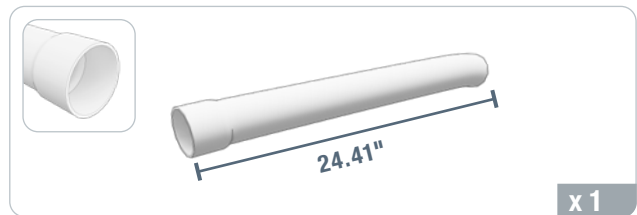
G Downpipe bend 65°



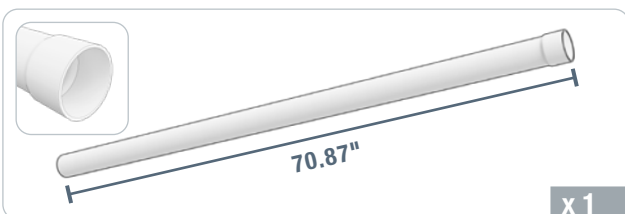
G Spacer ring



I Downpipe intermediate piece



J Downpipe



K Pipe clamp



SERVICE & CONTACT

Contact our product experts and find help and solutions for your product. Here you will find all contact information listed by country and language: www.topregal.co.uk/en/service

Responsible for the content:

TOPREGAL GmbH

Industriestrasse 3

70794 Filderstadt

GERMANY

www.topregal.com

