



ASSEMBLY INSTRUCTIONS

Conference table

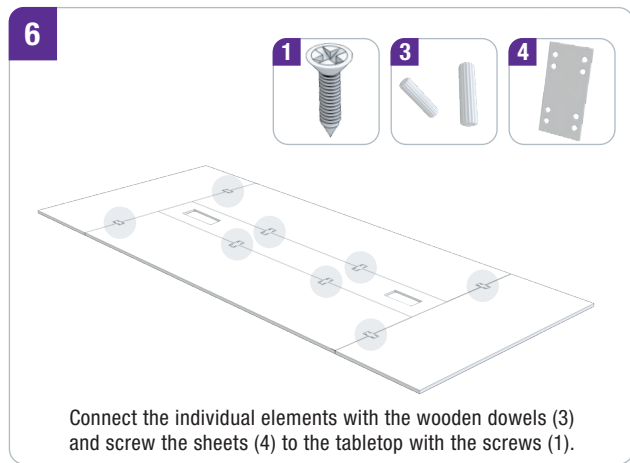
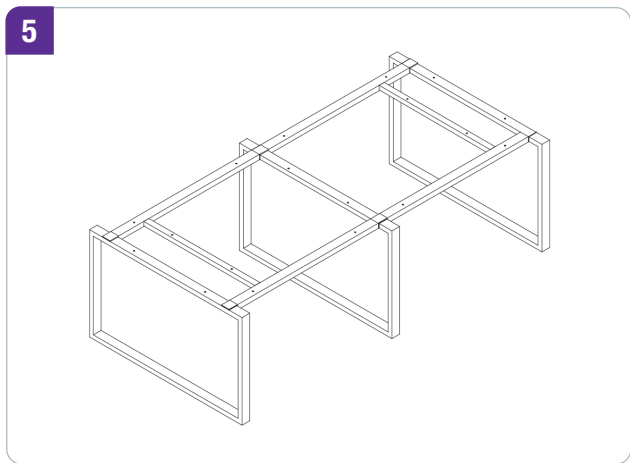
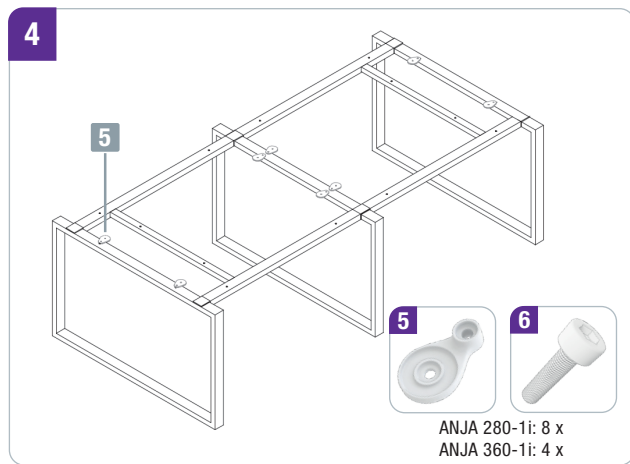
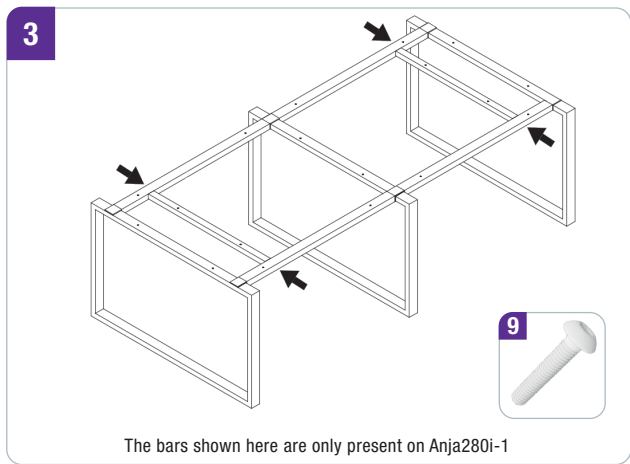
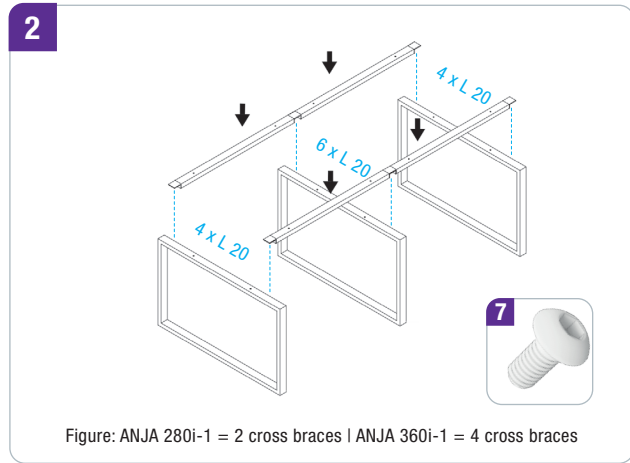
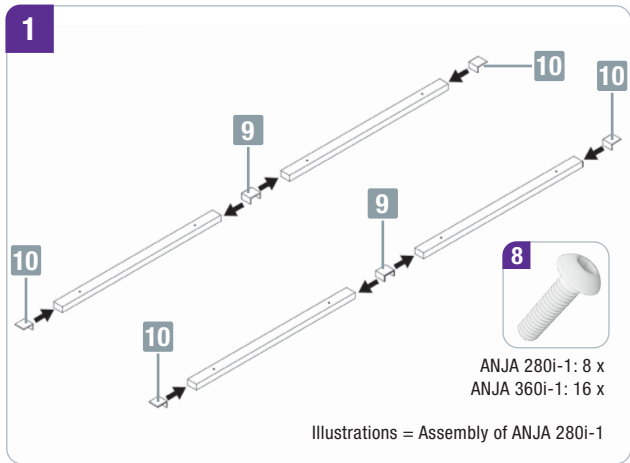
ANJA 280i-1 / 360i-1

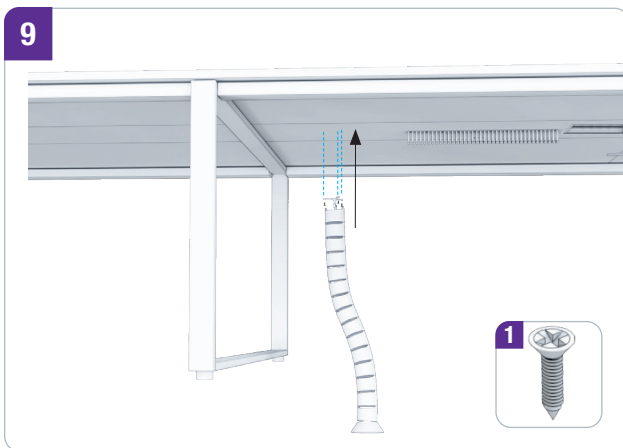
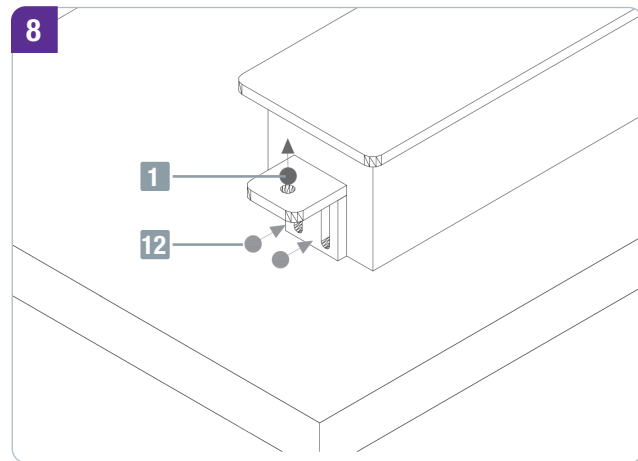
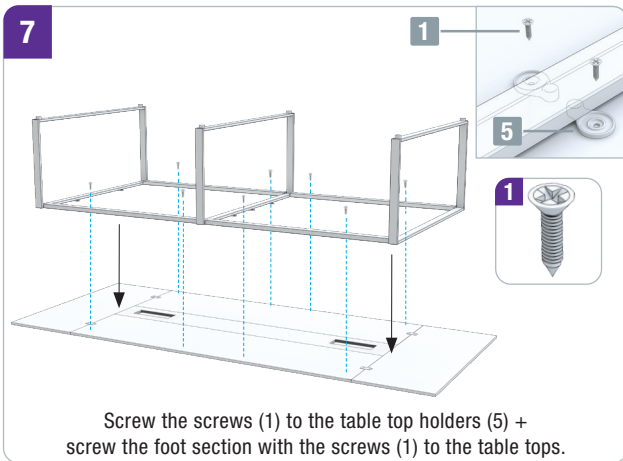


Please read this manual before using the product and follow the instructions it contains!

| No. | Accessories single parts | | Anja 280i-1 | Anja 360i-1 |
|-----|----------------------------------|---|-------------|-------------|
| 1 | Phillips-head screw 16 mm |  | 64 x | 64 x |
| 2 | Phillips-head screw 20 mm |  | 64 x | 64 x |
| 3 | Wood dowels |  | 16 x | 16 x |
| 4 | Plate |  | 8 x | 8 x |
| 5 | Table top holder |  | 8 x | 4 x |
| 6 | Allen screw for table top holder |  | 8 x | 4 x |
| 7 | Inbus screw L20 |  | 28 x | 56 x |
| 8 | Inbus screw L40 |  | 8 x | 16 x |
| 9 | Inbus screw L60 |  | 4 x | |
| 10 | Connecting piece center |  | 2 x | 4 x |
| 11 | Connecting piece side |  | 4 x | 8 x |
| 12 | Mounting screw inuction plate |  | 4 x | 4 x |
| 13 | Cable guide |  | 2 x | 2 x |

MONTAGE





SERVICE & CONTACT

Contact our product experts and find help and solutions for your product. Here you will find all contact information listed by country and language: www.topregal.us/en-us/service

Responsible for the content:
 TOPREGAL US Corp.
 729 North Route 83, Suite 309
 Bensenville, IL 60106
 United States of America
www.topregal.us

EU Declaration of Conformity

The manufacturer

**TOPREGAL US Corp.
729 North Route 83
Suite 309
60106 Bensenville, IL
USA**

hereby declares that the following product

Product designation:

Conference table

Type:

**ANJA280i-1
ANJA360i-1**

Serial number:

**ANJA280i-1-1000000000-ANJA280i-1-9999999999
ANJA360i-1-1000000000-ANJA360i-1-9999999999**

complies with all relevant provisions of the applicable legal regulations (hereinafter) - including their amendments in force at the time of the declaration. The sole responsibility for issuing this declaration of conformity lies with the manufacturer. This declaration refers only to the machine in the condition in which it was placed on the market; parts and / or interventions subsequently fitted by the end user are not taken into account.

Conforms to the provisions of the following European directives:

2014/35/EC Low Voltage Directive

Conforms to the provisions of the following standards:

EN 60884-1

Name and address of the person who is authorized, compile the technical documentation:

TOPREGAL US Corp.
729 North Route 83
Suite 309
60106 Bensenville, IL
USA



Place: Bensville
Date: 02-01-2021

Juergen Effner
Chief Executive Officer

TOPREGAL