



OPERATING INSTRUCTIONS

Crane arm

KA2500



Please read this manual before using the product and follow the instructions it contains!

GENERAL

Area of application	3
Intended use	3
Operator obligations	3
Technical data	4
Assembly	4
Use	5

MAINTENANCE

Maintenance	5
Repairs	5
Service & Contact	5
EU Declaration of Conformity	6

AREA OF APPLICATION

Crane arms are used to grasp heavy goods and transport them with a forklift truck. To ensure safe handling, always observe the operating instructions of the forklift truck.

INTENDED USE



WARNING! Risk of injury if used incorrectly!

Misuse of the crane arm can lead to dangerous situations and serious injuries.

The crane arm is used exclusively for picking up and transporting loads and may only be used on forklift trucks.

- Make sure that there are no persons or obstacles in the danger zone.
- Never exceed the maximum permissible load capacity of the crane arm and the forklift truck.
- Observe the specifications in the technical data sheet.
- Do not use the crane arm if it is damaged.
- Modifications and changes to the device not approved by the manufacturer will void the warranty.

OPERATOR OBLIGATIONS

Crane arms are used in the commercial sector. The operator of the forklift truck is therefore subject to the legal obligations for occupational safety.

There is a risk of injury due to crushing! The weight of the crane arm can cause crushing and serious injuries. Protective gloves must be worn during assembly and disassembly.

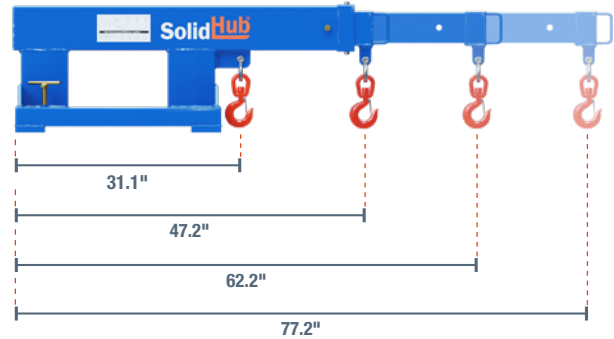
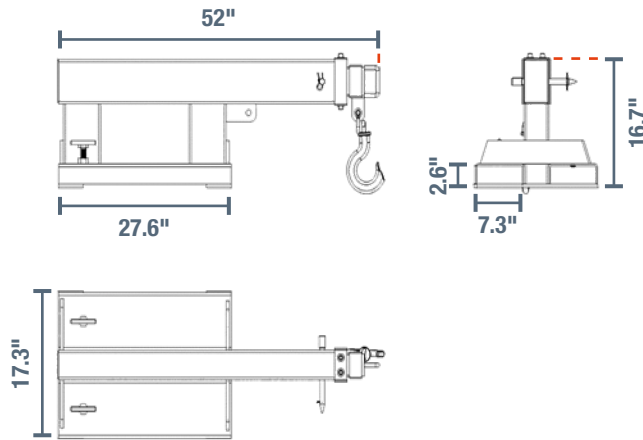


Note that the use of the telescopic arm shifts the load centre of your truck. For more information, refer to the load diagram and the load centre of your machine. Check that the crane arm is compatible with your forklift (fork cross-section up to max. 7.3" x 2.6").

TECHNICAL DATA

Type	Unit	Value
Brand		SolidHub
Colour		Blue
Surface		Painted
Length	"	53.1
Width	"	17.3
Height	"	16.9
Weight	lbs	200.6
Max. Load	lbs	5,511.56
Size of Fork Openings	"	7.3 x 2.6

Max. working load per position				
Position	1	2	3	4
Extension	31.1"	47.2"	62.2"	77.2"
Max. Working Load	5,511.56 lbs	2,645.55 lbs	1,984.16 lbs	1,653.47 lbs



ASSEMBLY

1. Loosen the screw clamps of the crane arm.
2. Carefully slide the crane arm onto the forks so that it rests completely on the forks.
3. Tilt the forks towards the forklift truck to prevent the crane arm from slipping. Never tilt the forks forward when using the crane arm.
4. Tighten the two screw clamps (Figure 1).
5. Check that the crane arm is firmly in place.
6. Set the desired position of the telescopic arm, taking the capacities into account, and fasten it with the safety bolt (Figure 2).



Figure 1

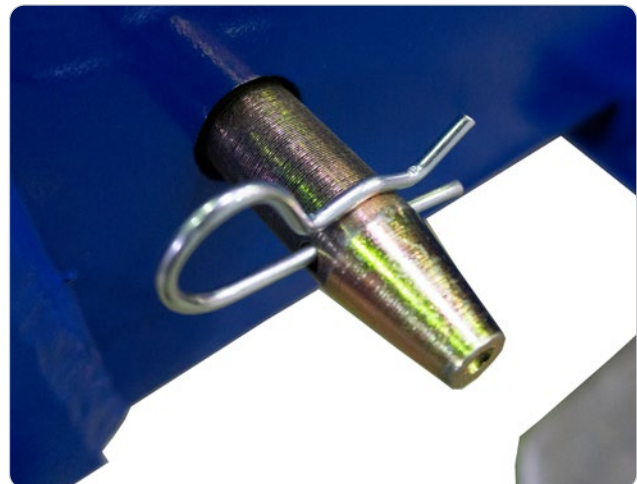


Figure 2

USE

1. Secure the goods you want to transport with the hook.
2. Lift the goods slowly and make sure that there are no persons in the danger zone.
3. Make sure that the goods are lifted evenly, do not sway too much and hang parallel above the ground.
4. Lift the goods to transport height, as close to the ground as possible.
5. Transport the load to the desired location. Drive slowly and avoid unevenness and inclines / declines.
6. At the destination, carefully lower the goods and detach them from the hook.
7. Retract the telescopic arm and secure it.



Stop immediately if the forklift is in danger of tipping over.

MAINTENANCE

- Daily visual inspection by the user.
- Check the tight fit of the screw clamps and look for cracks or deformations.
- Have the crane arm inspected at least once a year by a competent person based on the current associated standard.
- Clean the crane arm regularly. Use a broom or brush for this purpose.
- Remove dirt or rust with suitable tools.

REPAIRS

Repairs may only be carried out by the manufacturer or a specialist company authorised by the manufacturer. The manufacturer declines all liability for any damage resulting from improper repair or welding work. Improper repairs or use of third-party components can lead to damage and loss of function. As a result, dangerous situations and serious injuries may occur. In the event of improper repairs, the warranty and the manufacturer's responsibility for consequential damage are voided.

SERVICE & CONTACT

Contact our product experts and find help and solutions for your product. Here you will find all contact information listed by country and language: www.topregal.us/en-us/service

Responsible for the content:
TOPREGAL US Corp.
729 North Route 83, Suite 309
Bensenville, IL 60106
United States of America
www.topregal.us

EU Declaration of Conformity

The manufacturer

**TOPREGAL US Corp.
729 North Route 83
Suite 309
60106 Bensenville, IL
USA**

hereby declares that the following product

Product designation:

Crane arm

Type:

KA2500

Serial number:

KA2500-1000000000-KA2500-9999999999

complies with all relevant provisions of the applicable legal regulations (hereinafter) - including their amendments in force at the time of the declaration. The sole responsibility for issuing this declaration of conformity lies with the manufacturer. This declaration refers only to the machine in the condition in which it was placed on the market; parts and / or interventions subsequently fitted by the end user are not taken into account.

Conforms to the provisions of the following European directives:

2006/42/EC Machinery Directive

Conforms to the provisions of the following standards:

EN ISO 12100

EN 280

EN 60204-1+A1+AC

Name and address of the person who is authorized, compile the technical documentation:

TOPREGAL US Corp.
729 North Route 83
Suite 309
60106 Bensenville, IL
USA



Place: Bensville
Date: 2023-12-22

Juergen Effner
Chief Executive Officer

SolidHub