

## ASSEMBLY INSTRUCTIONS

Snow plough for forklift truck

SSG1500



Please read this manual before using the product and follow the instructions it contains!

## GENERAL

Foreword	3
Safety instructions	3
Technical data	4
Overview of the main components	4
Assembly instructions	5

## MAINTENANCE

Regular inspections	5
Parts list	6
Service & Contact	6
EU Declaration of Conformity	7

## FOREWORD

Congratulations on the purchase of your new snow plough. This snow pusher for forklift truck is made of high quality materials, specially designed for durable and reliable use. For your own safety and to ensure proper operation of the snow blade, be sure to read and follow these operating instructions before using it. Keep these operating instructions.

Check the snow pusher for transport damage. Damaged attachments for forklifts must not be put into use. The snow pusher for forklift trucks is used to clear snow from courtyards and driveways. Improper handling may result in injury or damage to the machine. SolidHub is not liable for damage resulting from improper use of the snow pusher, or failure to follow the instructions and rules of conduct in this manual. The operator / user must ensure the correct use of the snow blade by trained and authorized personnel.

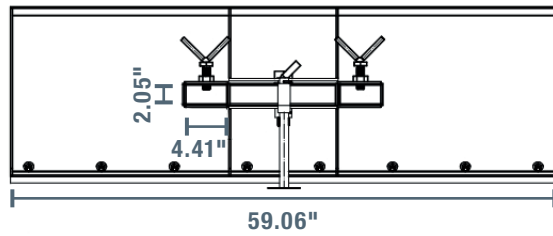
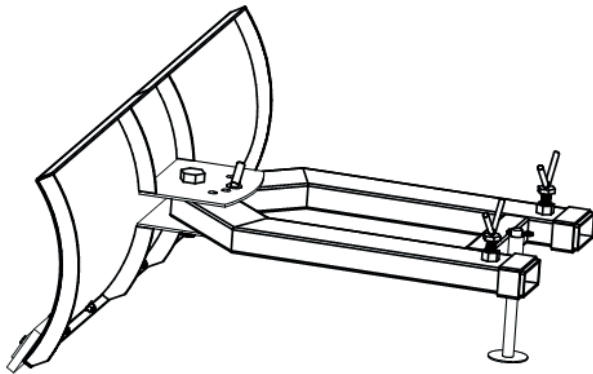
## SAFETY INSTRUCTIONS

- Only allow trained personnel to assemble and use the snow plough.
- Only physically and mentally healthy adults may handle the snow blade.
- Do not reach under the mounted snow pusher.
- Leave the working area of the snow pusher when it is in use.
- Wear appropriate protective clothing, such as gloves and safety shoes when assembling the snow blade.
- Make sure that the securing bolts and pins are firmly fixed during assembly. Use the snow pusher only in a fully assembled condition.
- Carry out regular maintenance and servicing to ensure safety during work.
- Lower the attachment to the ground when storing for extended periods of time to relieve stress on the forks.
- Reduce speed when pushing large masses of snow.
- Modifications and changes to the device not approved by the manufacturer will void the warranty.

## TECHNICAL DATA

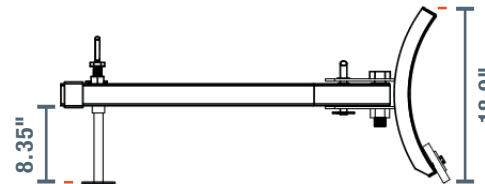
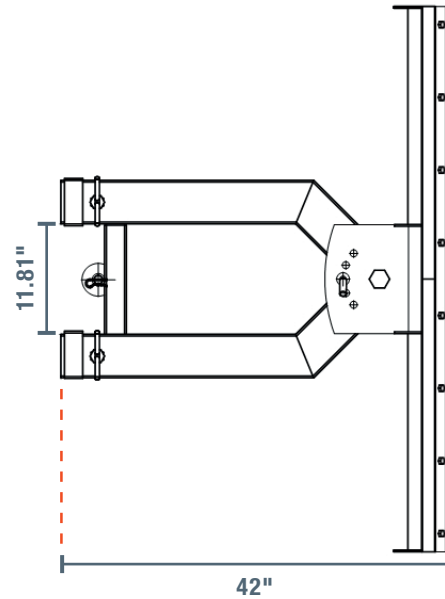
### GENERAL

Type	Unit	Value
Dimensions	"	59.06 x 42 x 18.9
Weight	lbs	154.32
Blade material		Steel
Slider material		Rubber
Material thickness	"	0.18
Forklift pockets	"	4.41 x 2.05
Distance forklift pockets	"	11.81
Height to forklift pockets	"	8.35



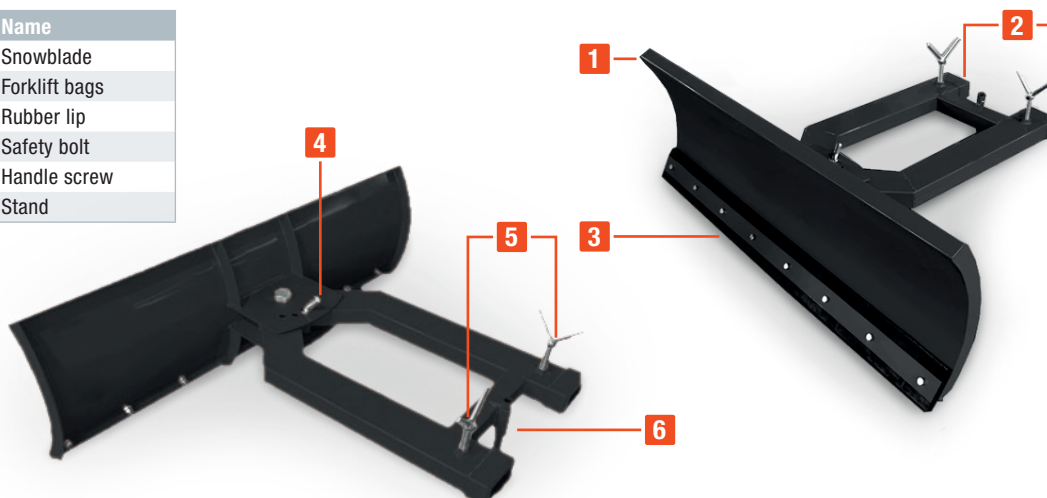
### COMPATIBLE STACKER

Type	Unit	Value
Load	lbs	4409.25
Adjustable forks		Yes



## OVERVIEW OF THE MAIN COMPONENTS

No.	Name
1	Snowblade
2	Forklift bags
3	Rubber lip
4	Safety bolt
5	Handle screw
6	Stand



## ASSEMBLY INSTRUCTIONS

1. Extend the stand until the forklift pockets are parallel to the ground.
2. Set the distance of your forks to 11.81" inside dimension.
3. Slowly drive the forks of your forklift into the forklift pockets of the snow blade.
4. Tighten the handle screws.
5. Set the desired angle of the snow blade.
6. Drive up the forks of the forklift and drive to the place where you want to clear.

## REGULAR INSPECTIONS

Perform a 100% visual inspection before each assembly and use.

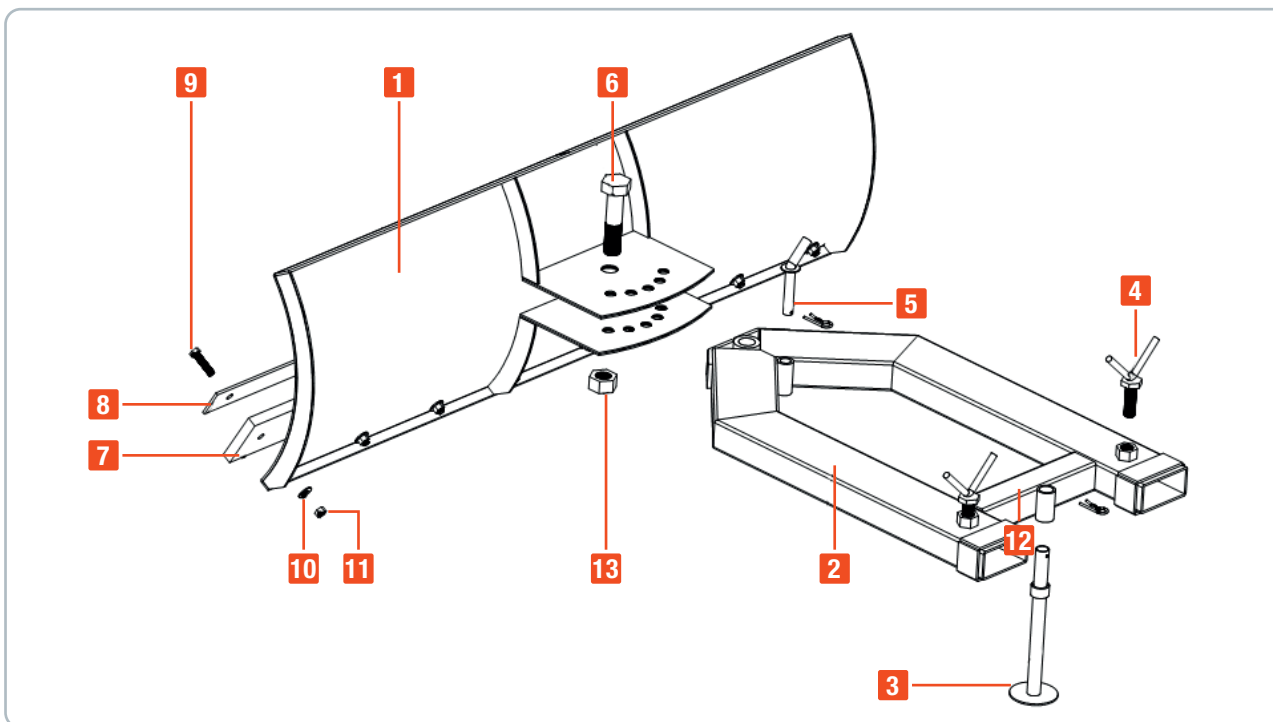
Pay particular attention to the following components:

- Welds
- Bending of forklift pockets
- Screws and bolts
- Safety pins
- Nuts



Only use the snow pusher when it is in fully functional condition. If you notice cracks and breaks in safety-relevant components, replace them before the next use.

## PARTS LIST



No.	Description	Quantity
1	Snow blade	1
2	Forklift pocket design	1
3	Stand	1
4	Handle bolt	2
5	Safety bolt	1
6	Hexagon bolt	1
7	Rubber lip	1
8	Fastening strip	1
9	Hexagon head screw	8
10	Washer	8
11	Nut	8
12	Split pin	2
13	Hexagon nut	1

## SERVICE & CONTACT

Contact our product experts and find help and solutions for your product. Here you will find all contact information listed by country and language: [www.topregal.us/en-us/service](http://www.topregal.us/en-us/service)

Responsible for the content:  
 TOPREGAL US Corp.  
 729 North Route 83, Suite 309  
 Bensenville, IL 60106  
 United States of America  
[www.topregal.us](http://www.topregal.us)

# EU Declaration of Conformity

The manufacturer

**TOPREGAL US Corp.  
729 North Route 83  
Suite 309  
60106 Bensenville, IL  
USA**

hereby declares that the following product

Product designation: **Snow plough for forklift truck**      Type: **SSG1500**

Serial number:

**SSG1500-1000000000-SSG1500-9999999999**

complies with all relevant provisions of the applicable legal regulations (hereinafter) - including their amendments in force at the time of the declaration. The sole responsibility for issuing this declaration of conformity lies with the manufacturer. This declaration refers only to the machine in the condition in which it was placed on the market; parts and / or interventions subsequently fitted by the end user are not taken into account.

Conforms to the provisions of the following European directives:

**2006/42/EC Machinery Directive**

Conforms to the provisions of the following standards:

**EN ISO 12100**

Name and address of the person who is authorized, compile the technical documentation:

TOPREGAL US Corp.  
729 North Route 83  
Suite 309  
60106 Bensenville, IL  
USA



Place: Bensville  
Date: 05-25-2021

Juergen Effner  
Chief Executive Officer

# SolidHub