



INSTRUCTIONS MANUAL

Digital advertising display

DKST-LED43



Please read this manual before using the product and follow the instructions it contains!

GENERAL

Foreword	3
Safety warnings	3
Technical data	4
Main components at a glance	5
Assembly	5
Operating instructions	6

MAINTENANCE

Regular inspection	10
Troubleshooting	10
Service & Contact	10
EU Declaration of Conformity	11

FOREWORD

Congratulations on the purchase of your new digital advertising display. This unit has been manufactured from high quality materials specifically designed for long-lasting and reliable use. For your own safety and to ensure correct operation of the digital advertising display, be sure to read and follow these operating instructions before using it. Keep these operating instructions.

Check the unit for transport damage. Damaged advertising displays must not be put into use. The digital advertising display is used to display advertising in a customer-effective manner. Improper handling may result in injury or damage to the unit.

Any liability for damage resulting from improper use of the unit or disregard of the specifications and rules of conduct in this operating manual is excluded. The operator is responsible for ensuring correct use by trained and authorised personnel.

The german operating instructions are the original operating instructions, while editions in other languages are translations. Technical changes are reserved.

SAFETY WARNINGS

- Do not use or store the unit in a humid environment. Make sure that the ambient temperature is between 0 - 122 °F.
- The digital advertising display is only suitable for indoor use. Do not use it near water.
- Make sure that the surface is level.
- Switch off and unplug the power supply before cleaning the display. Spray cleaning solution on a microfibre cloth to clean the unit. Never spray cleaning solution directly on the unit.
- Do not block the ventilation slots or place the unit near a heat source or other equipment that may affect ventilation.
- Do not carry out repair work on your own. In case of problems, contact our customer service.
- Use the unit with a stable power supply. Use only the power cord supplied with the unit.
- Overloaded mains sockets and extension cords are a source of danger. This also applies to damaged mains cables and plugs. This may result in a risk of electric shock or cable fire.
- Do not drop any objects on the unit.
- Do not subject the unit to shocks.
- Disconnect the unit from the power supply when not in use. Never leave the display switched on when when you leave the premises.
- Never touch the power cord during a thunderstorm. There is a risk of electric shock.
- Modifications and alterations to the unit not approved by the manufacturer will void the warranty.

TECHNICAL DATA

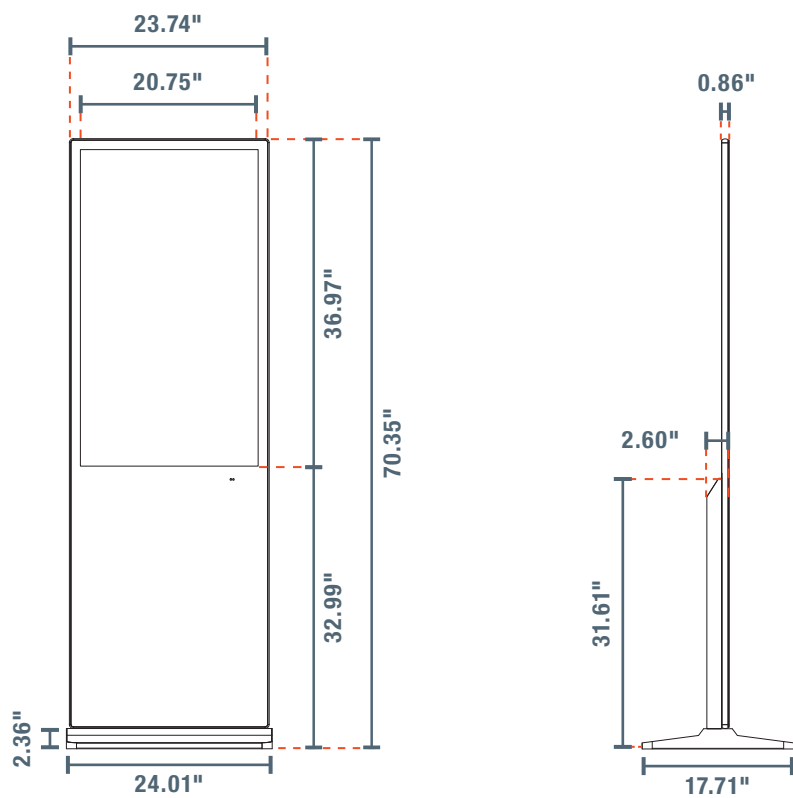
GENERAL

Type	Unit	DKST-LED43
Colour		Black / White
Dimensions (W x D x H)	"	24.01 x 17.71 x 70.35
Weight	lbs	79.37
Range of use		Indoor
Power consumption (on)	W	≤ 150
Power consumption (standby)	W	≤ 3
Response time	ms	5
Usage time		24 / 7
Operating system		Android 9.0
Random access memory (RAM)	GB	2
Flash memory (ROM)	GB	16
Loudspeaker		2 x 10 W Stereo
Connections / interfaces		USB / RJ-45 / WIFI / Bluetooth / HDMI (IN)
Operation		Touch + remote control
Processor (CPU)		Rockchip 3399

DISPLAY

Type	Unit	DKST-LED43
Screen		Patented LED module + constant current components
Material		ESD-Glas
Screen diagonal	"	43
Screen dimensions (W x H)	"	20.74 x 36.97
Format		16:9
Resolution	px	1920 x 1080 (Full HD)
Luminosity	cd/ft ²	27.88
Contrast		1200:1
Colours	Mio.	6,7
Touchscreen		Infrared

DKST-LED43

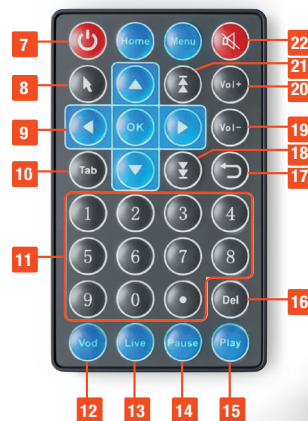


OVERVIEW OF MAIN COMPONENTS

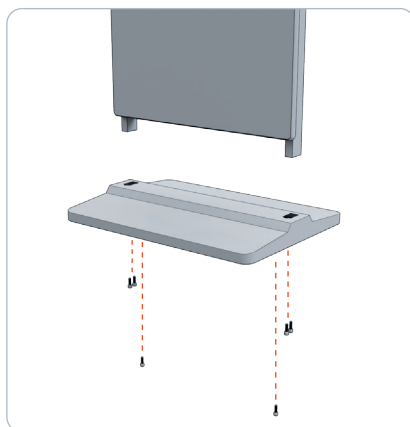
Nr.	Name
1	Key
2	Radio antenna
3	RJ45 / LAN
4	USB
5	ON / OFF
6	Mains cable connection
7	ON / OFF
8	Using the mouse
9	Control pad
10	Tab key

Nr.	Name
11	Digit keys
12	Video on Demand
13	Live button
14	Pause
15	Play
16	Remove
17	Back
18	Title back
19	Quieter
20	Louder

Nr.	Name
21	Title before
22	Silent
23	LCD display
24	Mains cable
25	Base



ASSEMBLY



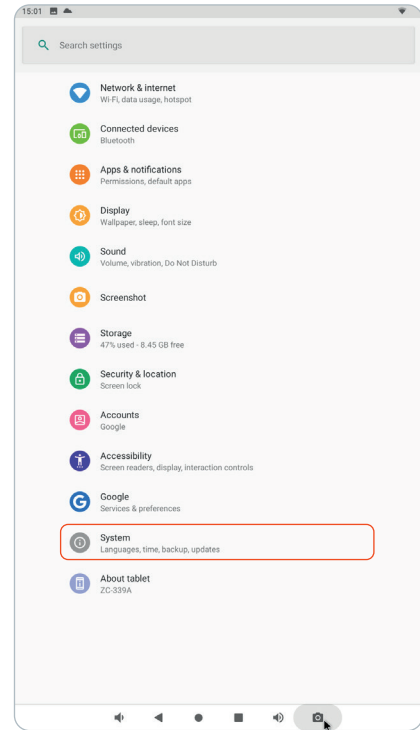
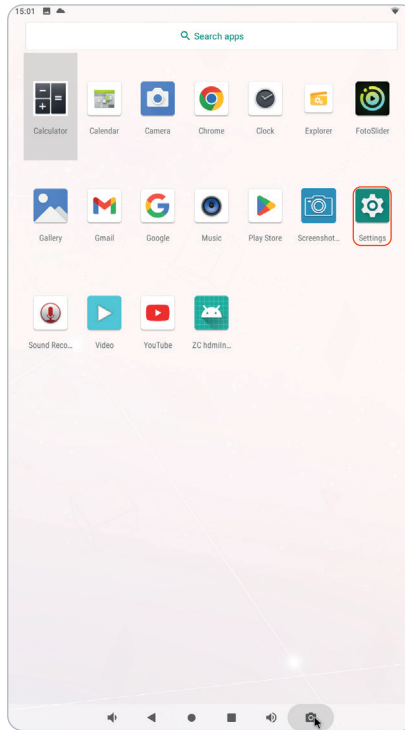
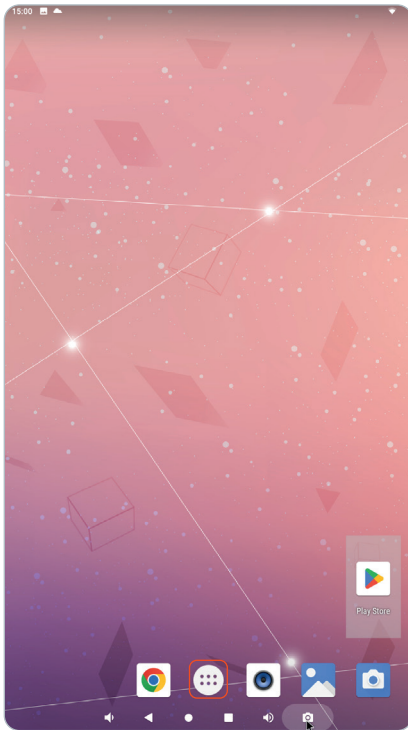
Attach the base with the 6 screws included in the delivery.

Mount the display carefully to avoid scratches.

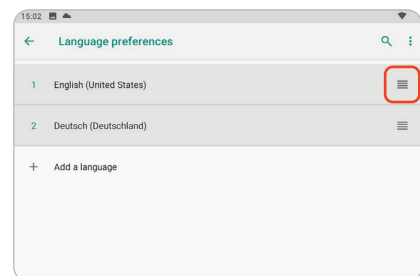
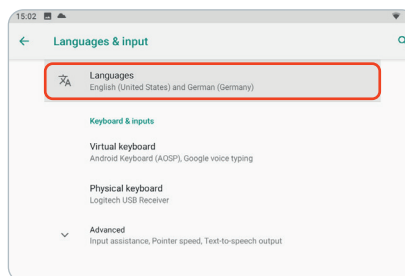
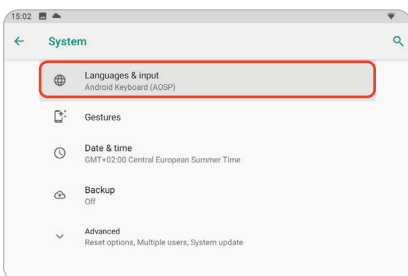
For easy transport, there are two handles on the back of the advertising display.

OPERATING INSTRUCTIONS

1. Make sure that the power cable is plugged in correctly.
2. Now switch on the unit by flipping the ON / OFF toggle switch (5) on the back of the unit.
3. As soon as you switch on the unit, the Android operating system starts and the start screen opens.
4. Select the desired app with the remote control or a mouse.
5. Use the options menu at the bottom centre of the screen to reach the app overview. All installed apps are listed here. Select the desired app. In the settings, the penultimate tab is "System". Here you can adjust all relevant settings, such as time, language and background image.



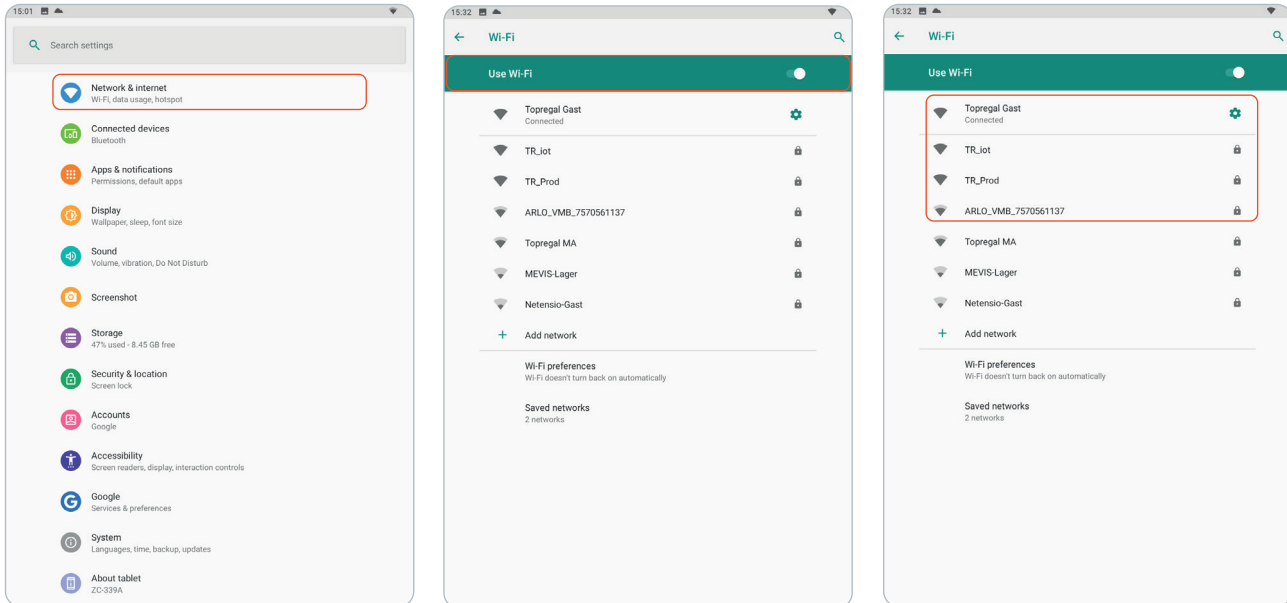
CHANGING THE LANGUAGE



1. Open the "Settings" tab.
2. Go to "Languages & Input".
3. Go to "Languages".
4. Look for new languages under the tab "Add a language".
5. Move the desired language to the top using the four horizontal lines.

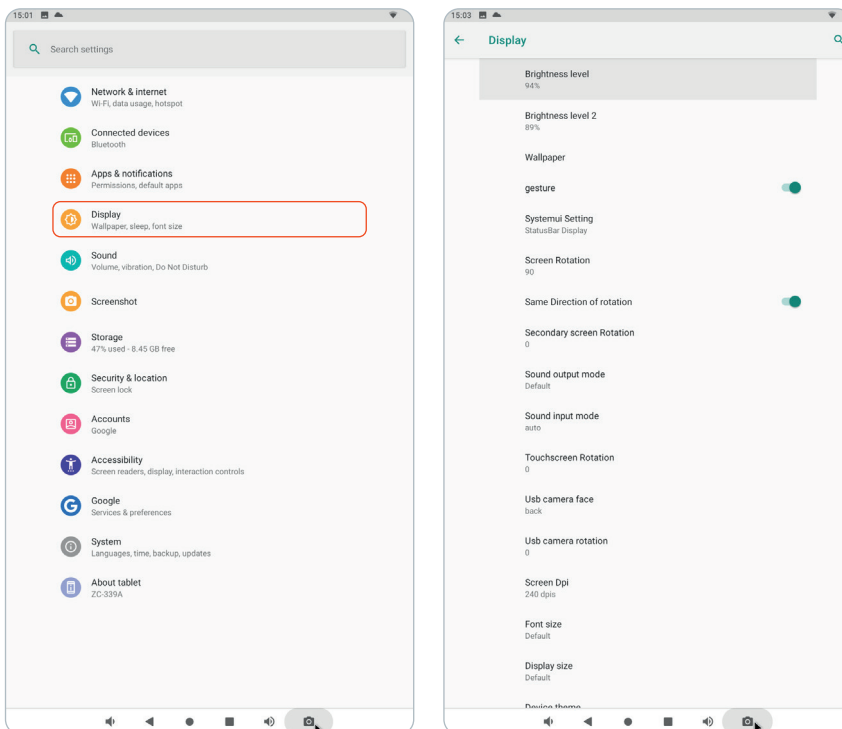
CONNECT TO THE INTERNET

To connect the Advertising display to the Internet, go to the submenu "Network & Internet" and enter the access data of your router, or use a LAN cable.



SETTING THE DISPLAY

1. If you want to change the screen display permanently, go to the menu item "Display". Here you can set display options.



1. You can quickly activate and deactivate functions such as WIFI via the "Status bar" at the top of the screen. You can also see your notifications here, such as received e-mails.
2. The "Navigation bar" at the bottom of the screen gives you the following options:



Nr.	Name
1	Quiet
2	Return to previous page
3	Start screen
4	Overview of all open programmes / app selection
5	Louder
6	Take screenshot

SETTING THE SOUND

You can adjust the volume using the remote control or directly via the "Navigation bar" on the display. In the menu item "Sound", you can also set the applications for which the advertising display plays sounds.

The advertising display supports the following formats:

Medium	Formats
Video	MPEG-1, MPEG-2, MPEG4, H.264, WMV
Audio	MP3, DTS, AAC, WMA
Image	BMP, JPG, JPEG, PNG, GIF

You can download further apps via the pre-installed Play Store. The digital advertising display is delivered with predefined apps.



If you want to display images and videos on the digital advertising display, make sure that they are provided in the correct format (9:16) or with the resolution 1080 x 1920.

CONNECTIONS

RJ45: To access the network if WiFi is not available or a LAN connection is preferred.

USB: External USB inputs. For quick and easy transfer of images and videos to the unit.

REGULAR INSPECTION

Carry out regular visual inspections. Pay particular attention to the display and the power cable.

Clean the display regularly. Spray cleaning solution on a microfibre cloth to clean the unit. Never spray cleaning solution directly onto the unit. Regularly check the ventilation slots at the back of the advertising display.

TROUBLESHOOTING

Problem	Cause	Solution
No picture is displayed and no sound is played back	The mains plug is not plugged in	Plug in the mains plug
	The ON / OFF toggle switch on the back of the unit has not been flipped.	Flip the switch
	The sound is set to silent	Increase the volume
The remote control does not work	The distance between the advertising display and the remote control is too far.	Reduce the distance between the advertising display and the remote control.
	The batteries are flat	Replace the batteries (2 x AAA)
	The remote control is held incorrectly	Aim the remote control directly at the centre of the Advertising display.
The advertising display crashes	Unstable internet connection	Ensure a stable internet connection
	Roaming activated	Deactivate roaming
Some colours are not displayed correctly	Cables at the back of the advertising display have slipped out	Open the control box at the back and check the cable connections

SERVICE & CONTACT

Contact our product experts and find help and solutions for your product. Here you will find all contact information listed by country and language: www.topregal.us/en-us/service

Responsible for the content:
 TOPREGAL US Corp.
 729 North Route 83, Suite 309
 Bensenville, IL 60106
 United States of America
www.topregal.us

EU Declaration of Conformity

The manufacturer

TOPREGAL US Corp.
729 North Route 83
Suite 309
60106 Bensenville, IL
USA

hereby declares that the following product

Product designation:

TecMaschin
Digital advertising display

Type:

DKST-LED43

Serial number:

DKST-LED43-100000000-DKST-LED43-9999999999

complies with all relevant provisions of the applicable legal regulations (hereinafter) - including their amendments in force at the time of the declaration. The sole responsibility for issuing this declaration of conformity lies with the manufacturer. This declaration refers only to the machine in the condition in which it was placed on the market; parts and / or interventions subsequently fitted by the end user are not taken into account.

Conforms to the provisions of the following European directives:

2014/53/EU Radio Equipment Directive

Conforms to the provisions of the following standards:

EN IEC 62368-1
EN IEC 62311
EN 301489-1

EN 301489-17
EN 300328

Name and address of the person who is authorized, compile the technical documentation:

TOPREGAL US Corp.
 729 North Route 83
 Suite 309
 60106 Bensenville, IL
 USA



Place: Bensville
 Date: 05-02-2021

Juergen Effner
 Chief Executive Officer

TECMASCHIN