



INSTRUCTIONS MANUAL

Fork shield for forklift

GZS995



Please read this manual before using the product and follow the instructions it contains!

GENERAL

Foreword	3
Safety instructions	3
Technical data	3
Operator obligations	4
Parts list	4
Assembly instructions	5
Operating instructions	5

MAINTENANCE

Maintenance	5
Service & Contact	5

FOREWORD

Congratulations on the purchase of your new fork shield for forklift. This fork shield for forklift has been manufactured from high-quality materials especially for durable and reliable use. For your own safety and to ensure correct operation of the fork shield for forklift, please read and observe these operating instructions before using the fork shield for forklift. Keep these operating instructions in a safe place.

Check the item for transport damage. Damaged fork shield for forklift must not be used. In accordance with the German Road Traffic Licensing Regulations StVZO § 30c (1), the fork shield for forklift is required to cover the forks during empty runs in public traffic. It serves as a preventive measure to increase workplace and personal safety and to minimize potential damage to goods and operating equipment.

Improper handling may result in injury or damage to the forks. SolidHub is not liable for damage resulting from improper use of the fork shield for forklift or failure to observe the specifications and rules of conduct in these assembly and operating instructions. The operator / user must ensure the correct use of the fork shield for forklift by trained and authorized personnel.

SAFETY INSTRUCTIONS



It is important that the use of fork shields for forklift and other safety devices complies with the relevant national workplace guidelines and the applicable safety standards.

- Ensure that there are no persons or obstacles in the danger zone.
- Observe the information in the technical data sheet.
- The fork blade may only be used by qualified and authorized personnel.
- Modifications and alterations to the device not authorised by the manufacturer will invalidate the warranty.
- Comply with all instructions applicable to your fork shield for forklift - also observe all rules and regulations relating to work safety.

TECHNICAL DATA

GENERAL

Type	Unit	Value
Model		GZS995
Total weight	kg	5.6
Color		Red
Surface		Lacquered
Material		Steel

DIMENSIONS

Type	Unit	Value
Dimensions of forklift pockets	mm	160 x 40
Distance between forklift pockets	mm	275
Outer dimensions	mm	995 x 205 x 112
Chain length	m	1.87

OPERATOR OBLIGATIONS

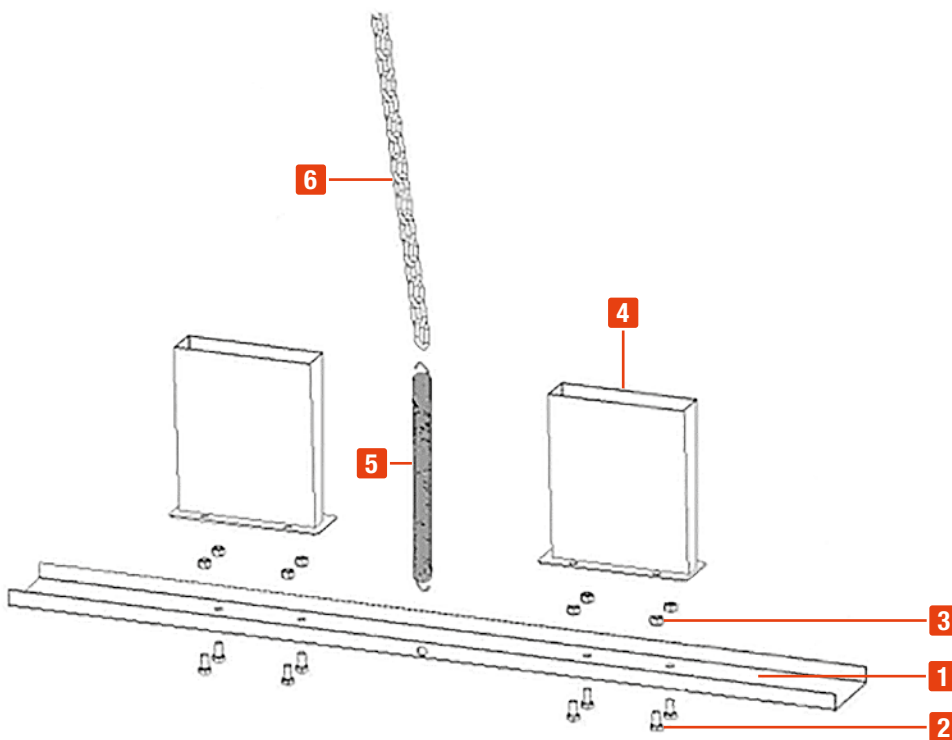
Fork shields for forklifts are used in the commercial sector. The operator of the industrial truck is therefore subject to the legal obligations regarding occupational safety.



WARNING! Risk of injury due to crushing!

Crushing injuries can occur when attaching the fork shield for forklift. Protective gloves and safety shoes must therefore be worn when attaching and securing it.

PARTS LIST



Number	Description	Quantity
1	Shield	1
2	Bolt M8 x 16	8
3	Nut M8	8
4	Fork Pocket	2
5	Spring	1
6	Chain	1

ASSEMBLY INSTRUCTIONS

1. Fit the fork pockets (4) to the shield (1) using the bolts (2) and nuts (3) supplied.
2. Hook the spring (5) into the center of the hole in the shield.
3. The chain (6) can now be attached to the spring.

OPERATING INSTRUCTIONS

1. Fit the fork pockets attached to the plate to the forks of the forklift truck.
2. Secure the fork shield for forklift against slipping by attaching the chain to the fork carriage (The chain is automatically tensioned by the spring).
3. Raise and lower the forks slowly and watch out for obstacles in the lifting area.

MAINTENANCE

- Daily visual inspection by the user.
- Check the fork shield for forklift for cracks or deformations.
- Clean the fork pockets regularly. Use a broom or brush for this purpose.

SERVICE & CONTACT

Contact our product experts and find help and solutions for your product. Here you will find all contact information listed by country and language: www.topregal.co.uk/en/service

Responsible for the content:
TOPREGAL GmbH
Industriestrasse 3
70794 Filderstadt
GERMANY
www.topregal.com

SolidHub