



OPERATING INSTRUCTIONS

Hand dryer

HT1350



Please read this manual before using the product and follow the instructions it contains!

GENERAL

Foreword	3
Safety instructions	3
Technical data	4
Overview of the main components	4
Safety devices	5
Assembly	5
Operating instructions	5

MAINTENANCE

Regular inspections and cleaning	6
Service & contact	7

FOREWORD

Congratulations on the purchase of your new HT1350 hand dryer. The HT1350 has been manufactured from high quality materials, specially designed for long-lasting and reliable use. For your own safety and to ensure correct operation of the hand dryer, be sure to read and follow these operating instructions before using it. Keep these operating instructions. Check the unit for transport damage. Damaged hand dryers must not be put into use.

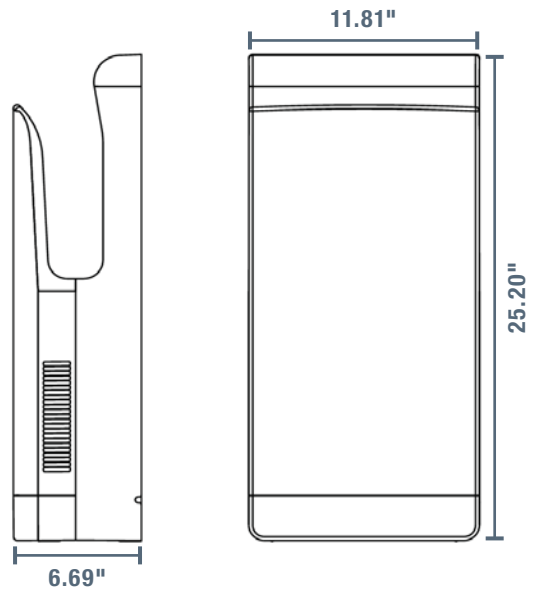
Improper handling may result in injuries or damage to the machine. TecMaschin is not liable for any damage resulting from improper use of the hand dryer, or failure to observe the specifications and rules of conduct in this manual.

SAFETY INSTRUCTIONS

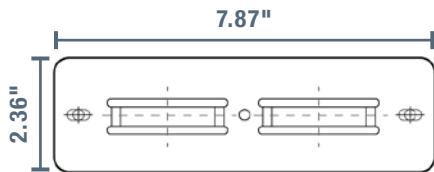
- The hand dryer is suitable for indoor operation at a room temperature between 14 °F and 104 °F.
- Do not use the hand dryer in a place where it is exposed to direct or strong sunlight. This may cause the sensor to malfunction.
- Only use the hand dryer if it is in perfect condition.
- Mount the hand dryer in a place where it is protected from sunlight and moisture. Do not mount it where it will be exposed to water splashes and high humidity.
- Mount the hand dryer in a place with sufficient safety distance from showers, tubs and other water sources.
- Do not install the appliance while the power is on.
- The wall where you want to mount the appliance should be strong enough to hold the hand dryer.
- Do not open the cover while the hand dryer is in operation / connected to the mains.
- Always use the appliance with the water collection container installed and the air filters intact. Make sure that no water enters the appliance. Once water gets inside the unit, short circuits or electric shock may occur.
- Use a single-phase AC 120 V / 60 Hz power supply.
- Use a separate power cord. Using a multiple socket may cause a cord fire.
- Unplug the power switch from the power outlet before inspecting and cleaning the unit.
- Wear gloves when inspecting and cleaning the unit.
- Installation work should be carried out by a qualified technician.
- Ensure that the unit is properly earthed at all times.
- Do not place or hang any objects on the hand dryer.
- If the appliance does not work or makes unusual noises, turn off the mains switch and the earth leakage circuit breaker and contact customer service.
- Modifications and changes to the device not approved by the manufacturer will void the warranty.

TECHNICAL DATA

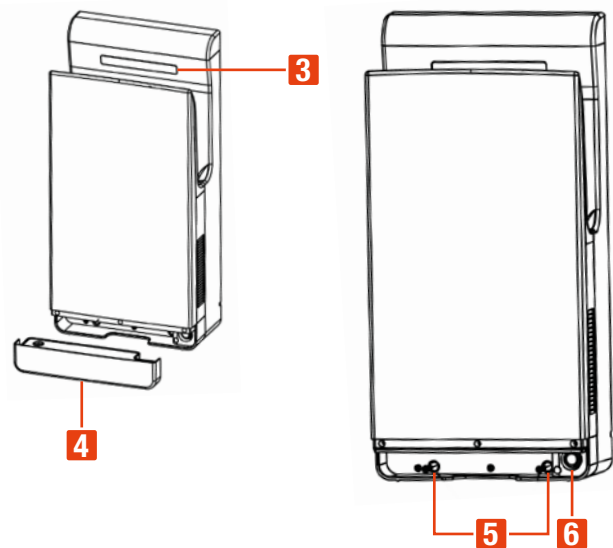
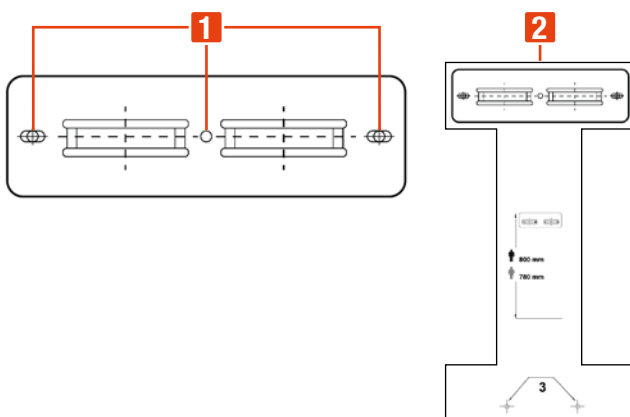
Type	Unit	Value
Brand		TecMaschin
Model		HT1350
Color		White
Weight	lbs	15.43
Dimensions (l x w x h)	"	6.7 x 11.8 x 25.2
Voltage	V	220 – 240
Frequency	Hz	50 – 60
Motor rated power	W	1000
Heating element	W	350
Total rated power	W	1350
Motor speed	rpm	28000
Air speed	mph	254.76
Drying time	s	10 - 15
Operating temperature	°F	32 - 104
Automatic shutdown	s	20
Noise level	dB	70
Protection class		IP 34 (water ingress protection)
Hepa filter		2 x E11
UV-C lamp	W	2 x 1.5



WALL MOUNT



OVERVIEW OF THE MAIN COMPONENTS



No.	Name
1	Wall bracket (with holes for dowels 0.31")
2	Mounting aid for ideal height
3	UV lamps
4	Water collection container
5	Anti-theft device
6	Temperature switch

SAFETY DEVICES

The device has an intelligent safety system that prevents continuous operation if the photocells are continuously activated by dirt or covers. It is sufficient to clean the photocells for the hand dryer to resume its normal function. The appliance is equipped with thermostats and fuses to minimise the risk of malfunctions and excessive overheating.

ASSEMBLY

1. Check that the sockets are rated for the power of the appliance. Note that the hand dryer must be earthed.
2. Use the installation aid supplied. This will give you the ideal height of the hand dryer and the appropriate placement of the screws.
3. Prepare the holes for the two lower screws with the mounting aid and insert the dowels and screws.
4. Drill the top two holes and fix the brackets to the wall with the dowels and screws provided.
5. Place the hand dryer on the bracket.
6. Plug in the hand dryer.

INSTALLATION WITH CABLE AND PLUG

The unit is supplied with a mains cable and plug, which is fed downwards from an opening. The socket should therefore be placed at a distance of 19.69" from the lower / right part of the unit at a height of 11.81" above the floor. However, you can also use the other guides. To do this, you must put down the small cover on the back and route the cable accordingly.

OPERATING INSTRUCTIONS

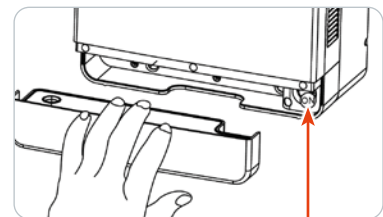
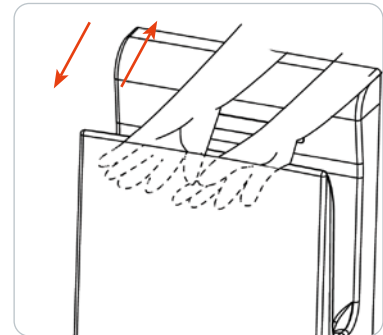
BEFORE FIRST USE

After plugging in the power cable, the hand dryer is immediately ready for use. To activate the air flow, you only have to insert your hands into the opening. The best drying result is achieved when you keep your hands in motion and move them from top to bottom.

The hand dryer switches off after 20 seconds or as soon as you move your hands away. Once the airflow stops, it is necessary to remove your hands for about 2 seconds and reinsert them to reactivate it.

SETTING THE TEMPERATURE

The air temperature is approximately 104 °F and is automatically controlled by an electrical resistor. An intelligent control system activates the resistor when the ambient temperature is below 68 degrees to ensure maximum energy savings. It is possible to deactivate the heating element if the ambient conditions or the use of the hand dryer make it necessary. This is done by flipping the switch located behind the water collection container.



REGULAR INSPECTIONS AND CLEANING

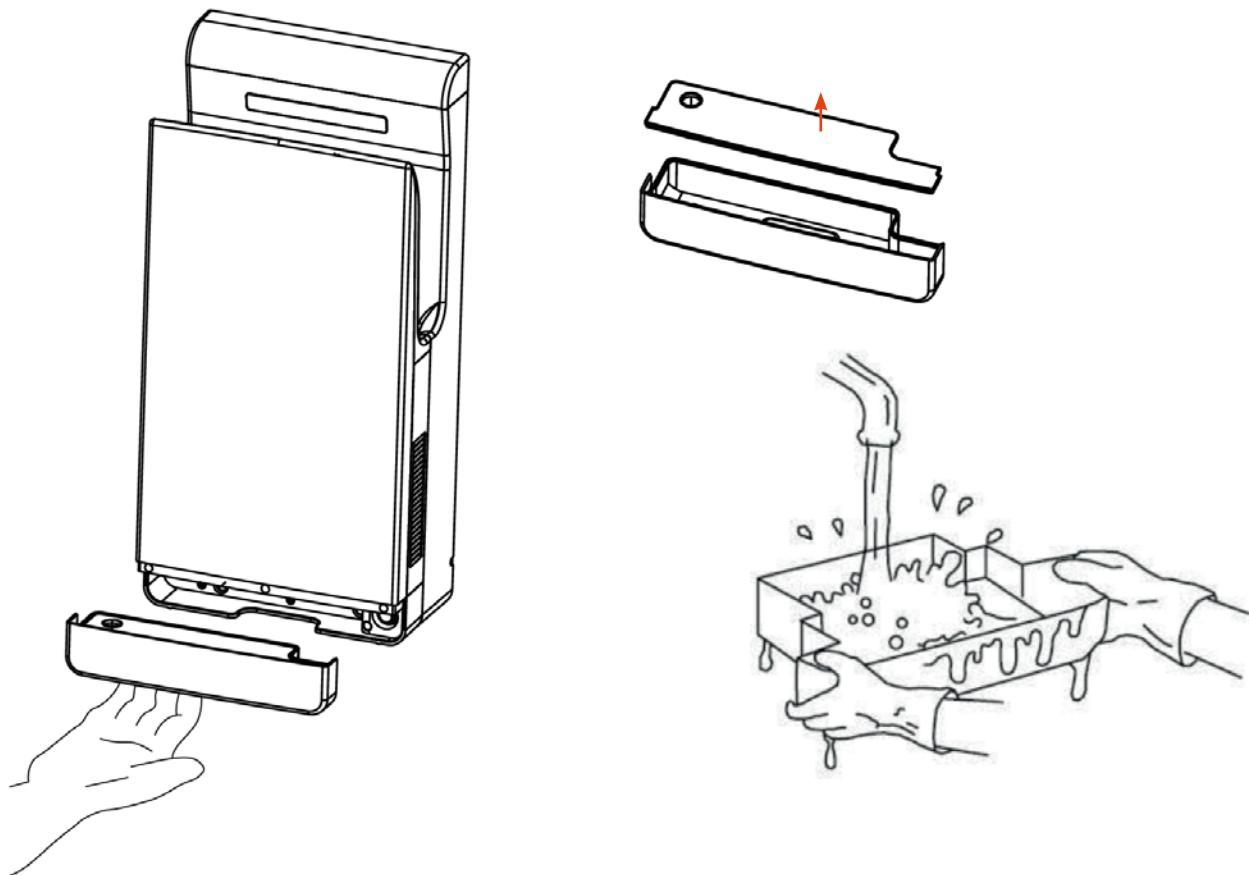


Disconnect the unit from the mains before carrying out maintenance work.

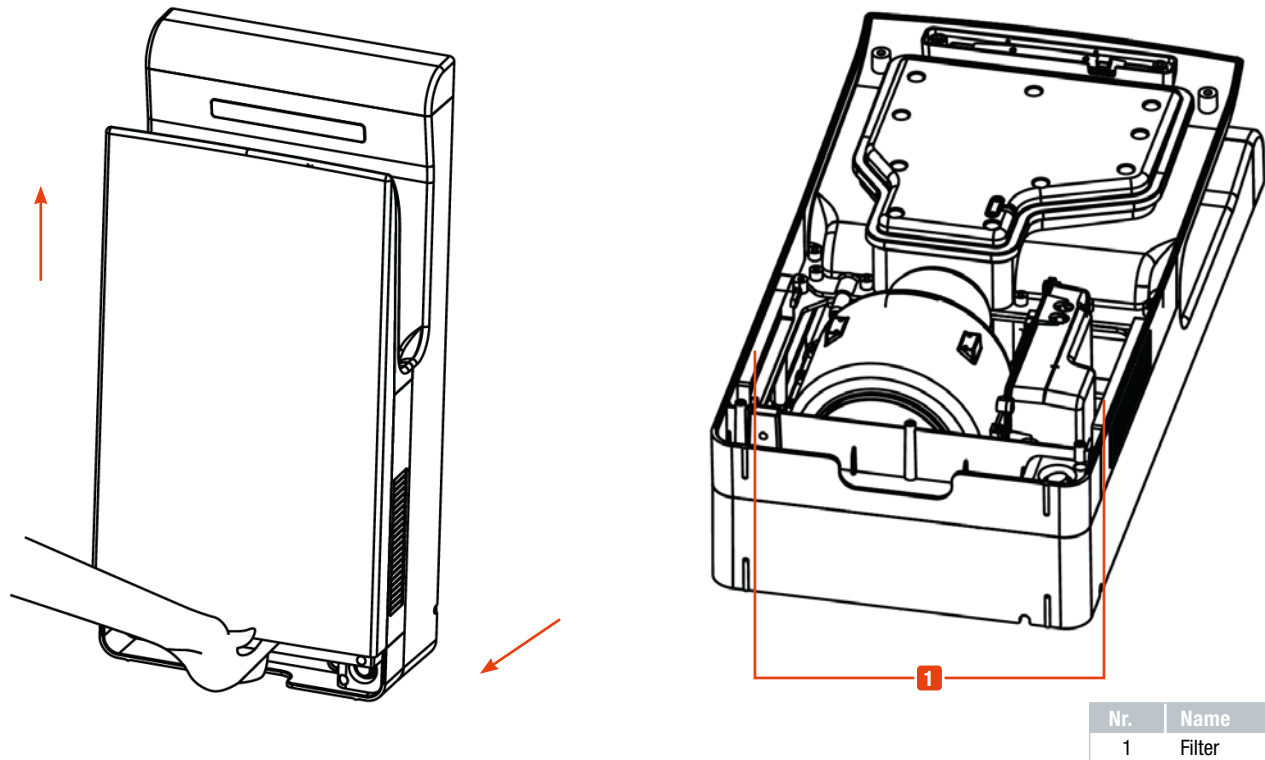
The hand dryer is equipped with two UV LEDs that are constantly in operation in the engine compartment. They protect the interior from mould, bacteria and viruses and are maintenance-free.

Do not use high-pressure cleaners, spray bottles and aggressive cleaning agents for cleaning. Strong jets of water can irreparably damage the engine and electronic parts if they penetrate through the cover. In addition, strong jets of water would soak the HEPA filters located in the lower part of the cover, making it difficult to suck in air and affecting the motor with possible damage.

Therefore, clean the appliance only with a soft cloth moistened with water and detergent. Empty the water collection container regularly, daily if possible, and clean it under running water to remove all residues and dirt.



To ensure the longevity and reliability of this dryer, check the condition of the filters regularly (at least every two months) and clean them with a light jet of compressed air if necessary. To clean the filters, remove the water collection container and slide the cover upwards. Be careful not to touch the paper on the filter and clean the filter carefully as it is very delicate. Never expose filters to moisture and make sure they always stay dry.



SERVICE & CONTACT

Contact our product experts and find help and solutions for your product. Here you will find all contact information listed by country and language: www.topregal.us/en-us/service

Responsible for the content:
 TOPREGAL US Corp.
 729 North Route 83, Suite 309
 Bensenville, IL 60106
 United States of America
www.topregal.us

EU Declaration of Conformity

The manufacturer

**TOPREGAL US Corp.
729 North Route 83
Suite 309
60106 Bensenville, IL
USA**

hereby declares that the following product

Product designation:

**TecMaschin
Hand dryer**

Type:

HT1350

Serial number:

HT1350-1000000000-HT1350-9999999999

complies with all relevant provisions of the applicable legal regulations (hereinafter) - including their amendments in force at the time of the declaration. The sole responsibility for issuing this declaration of conformity lies with the manufacturer. This declaration refers only to the machine in the condition in which it was placed on the market; parts and / or interventions subsequently fitted by the end user are not taken into account.

Conforms to the provisions of the following European directives:

2014/35/EU Low Voltage Directive

Conforms to the provisions of the following standards:

**EN 60335-1+A11+A13+A1+A2+A14
EN 60335-2-23-2003+A1+A11+A2+A12**

Name and address of the person who is authorized, compile the technical documentation:

TOPREGAL US Corp.
729 North Route 83
Suite 309
60106 Bensenville, IL
USA



Place: Bensville
Date: 04-12-2021

Juergen Effner
Chief Executive Officer

TECMASCHIN