



OPERATING INSTRUCTIONS

Ride-on scrubber dryer

SWA70



Please read this manual before using the product and follow the instructions it contains!

GENERAL

Foreword	3
Safety instructions	3
Technical data	4
Overview of the main components	5
Inspection before use	5
Operating instructions	6

MAINTENANCE

Regular inspections	6
Troubleshooting	7
Parts list	8
Service & contact	14
EU Declaration of Conformity	15

FOREWORD

Congratulations on the purchase of your new SWA70. The SWA70 has been manufactured from high quality materials, specially designed for long-lasting and reliable use. For your own safety and to ensure correct operation of the cleaning machine, please read and follow these operating instructions before use.

Keep these operating instructions. Check the ride-on scrubber-dryer for transport damage. Defective equipment must not be put into use.

The ride-on scrubber-dryer is intended for professional and large-area floor cleaning up to 35520.76 ft²/h.

Improper use may result in injury or damage to the machine. The liability for damage resulting from improper use of the device or failure to observe the specifications and rules of conduct contained in this operating manual is excluded.

The operator must ensure the correct use of the ride-on scrubber-dryer by trained and authorised personnel.

SAFETY INSTRUCTIONS

Failure to observe the instructions and safety rules, especially the warnings and cautions in this manual, may result in material damage, serious injury or death. Please read this manual carefully before carrying out any maintenance or repair work on the machine.

GENERAL NOTES

- Do not place the machine in areas where temperatures may fall below freezing point, as this will damage the nozzles and pipes.
- Do not use the machine if the slope is over 25 %.
- The machine must only be operated by qualified and authorised personnel.
- Only healthy adults may operate the machine.
- Pay attention to appropriate speed, drive only as fast as the traction allows and take your foot off the accelerator when taking bends. There is a risk of tipping over.
- Please take care not to injure bystanders when using the machine.
- Wear work clothes when using the machine and avoid wearing jewellery or accessories that could get caught in the machine.
- Be careful not to get too close to the machine's brush (be careful of loose hair).
- Do not reach under the machine during use.
- Do not use the machine if there are flammable or explosive gases, liquids or vapours in the environment.
- Do not drive the ride-on scrubber-dryer over large objects, ropes, cables, hot surfaces or liquids, or flammable, toxic and / or harmful substances to avoid entanglement and damage to the brush.
- Do not drive against shelves and other objects.
- Do not use the appliance in areas that are too dirty.
- Switch off the brush while the machine is stationary to avoid damage to the floor surface.
- Remember to switch off the machine when the appliance is turned off.
- Do not place liquid containers on the machine.
- Do not use the machine as a means of transport.
- Switch off the machine before any brush replacement, maintenance or repair.
- If the machine is to be lifted by machine, it must first be secured.
- Please place the machine on a level surface indoors while not in use.
- Do not clean the machine with a high-pressure cleaner as water may enter the machine.
- In case of fire, remember to use a powder extinguisher.
- Contact us if any parts of the machine need to be replaced.
- Modifications and changes to the device not approved by the manufacturer will void the warranty.

SAFETY REQUIREMENTS BATTERIES

- Do not smoke while the battery is charging.
- Leave the machine enclosure open while the batteries are charging. The charging area should be well ventilated.
- Keep the battery away from sparks.
- Make sure that the battery is never completely discharged. The battery should be recharged as soon as possible after use to avoid a long-term low voltage condition and to increase its life.
- Store the battery in a dry and clean place and keep it away from pollutants such as metal dust.
- Do not place metal parts (e.g. tools) on the battery to prevent it from starting to burn.
- Please follow local regulations when recycling batteries.
- Do not connect or remove the battery when the unit is switched on.
- Charge the unit after each use that is longer than 30 minutes.
- To maximise battery life, charge the battery immediately after use. Do not store the battery in a discharged state.
- If the machine is not used for a long time, the battery should be charged every fortnight.

TECHNICAL DATA

CHARACTERISTICS

Type	Unit	Value
Brand		wipeket
Model		SWA70
Fresh Water Tank	gal	18.49
Sewage Tank	gal	18.49
Weight without Batteries	lbs	330.69
Weight incl. Batteries	lbs	476.19

DIMENSIONS

Type	Unit	Value
Dimensions (L x W x H)	"	49.80 x 23.62 x 40.55
Diameter Brush	"	22.04
Width Squeegee	"	31.49

PERFORMANCE

Type	Unit	Value
Cleaning Area	ft ² /h	35520.76
Brush Speed	rpm	160
Brush Pressure	lbs	35.27
Power Duction Motor	W	500
Brush Motor Power	W	550
Power of Drive Motor	W	500
Noise Level	dB	70
Gradeability	%	25
Max. Operating Speed	mph	3.10

POWER

Type	Unit	Value
Rated Capacity	Ah	100
Voltage	V	24
Operation Duration without / with Interruptions	h	3 / 5
Charging Time	h	7

OVERVIEW OF THE MAIN COMPONENTS



No.	Name
1	Control Panel with Battery Indicator
2	Switch
3	Steering Wheel
4	Brush Lever
5	Wiper Bar Lever
6	Seat
7	Emergency Stop Switch
8	Accelerator Pedal
9	Charging Plug

No.	Name
10	Fresh Water Level Indicator
11	Brush
12	Drive Wheel
13	Wiper Bar
14	Fresh Water Tank
15	Waste Water Tank
16	Waste Water Hose
17	Suction Hose
18	Bumper

INSPECTION BEFORE USE

The following points must be checked before first use:

1. Are all connecting and fastening parts properly tightened?
2. Visual inspection of the machine: are all visible parts in good condition? Make sure that the speed of the machine does not exceed 3.11 mph in case you have to push / pull it (should the machine break down).

OPERATING INSTRUCTIONS



A. ATTACHING THE SQUEEGEE

1. Make sure that the squeegee lowering lever is up.
2. Loosen the two fastening screws (1) and hang the squeegee.
3. Now tighten the fastening screws.
4. Connect the suction hose (2) to the opening of the squeegee.
5. Use the fastening ring to secure the suction.



B. ATTACHING THE BRUSH

Place the brush directly under the brush holder on the machine and press the brush lever down. Now switch on the machine and activate the brush motor. The brush will be fixed by itself through the rotation.

USE

- Fill the water tank (2).
- Insert the key into the keyhole and turn it to the „On“ position. Check that the emergency stop button is activated in case the machine does not start.
- Select the forward gear.
- Lower the wiper bar and brush through the levers (13 + 14) in the front area.
- Switch on the suction motor and then the brush motor.
- Press the accelerator pedal. We recommend a speed of 147.65 - 196.85 ft/min for optimal cleaning. You get the best result when the cleaning tracks overlap by approx. 1.97".

REGULAR INSPECTIONS

AFTER USE

- The waste water in the waste water tank and the fresh water must be completely drained. In addition, the waste water tank must be cleaned and the hoses checked for blockages. If you want to clean the tanks with warm water, please make sure it is not warmer than 140 °F.
- Remove the brush and squeegee, then check for foreign objects. Clean them and check the condition of the components regularly.
- Wipe the machine body with cotton cloths and keep the machine clean.
- Check the battery charge level. If the charge level is low, please charge it in time. Turn the key to OFF, switch off the machine and remove the key.
- Store the machine in a ventilated environment. Do not store it in a damp and cold place.

CHARGING THE BATTERIES

- Switch off the machine before charging.
- For better ventilation of the batteries during charging, please open the machine.
- Connect the charger to the charging plug on the machine and to a 110 V socket.
- The charger automatically starts charging the machine.
- If you want to stop charging, first remove the charger plug and wait until the charger is off. Then remove the plug from the machine.

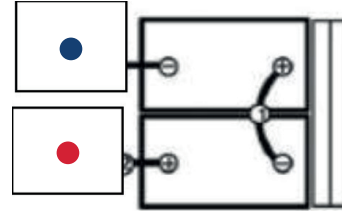
Light	Charging status
● Green	100 % = fully charged
● Yellow	> 80 %
● Red	< 80 %



When closing the cover, make sure that the batteries are positioned correctly.

CHANGING THE BATTERIES

- Disconnect the negative (-) battery cable first and then the positive (+) cable before removing the battery.
- When reconnecting, make sure that the electrodes are properly connected, as incorrect connection may damage the electrical components. Do not touch the poles of the battery.
- Avoid direct contact between the positive and negative terminals as this can cause a current short circuit and possibly cause a fire.



TROUBLESHOOTING

Problem	Cause	Solution
Water is not drawn in	The suction motor is not switched on	Switch on the suction motor
	The waste water tank is full	Empty the waste water tank
	The wiper bar or the suction pipes are clogged or defective	Check all connectors and hoses on the machine
	Wiper bar is misaligned	Check the alignment of the wiper lips
The batteries cannot be charged	The batteries are damaged	Replace the batteries
	The charger is damaged	Replace the charger
	The batteries are deeply discharged	Charge the batteries longer / replace them
The floor is not scrubbed properly	The brush motor is damaged	Have the machine serviced
	Excessive wear of the brush	Replace the brush
	Driving too fast over dirty areas	Go slowly over particularly dirty areas
	There is not enough water in the fresh water tank	Top up with water
The machine does not start	The batteries have not been charged	Check the charge level of the batteries
	The emergency stop switch is activated	Deactivate the emergency stop switch
	The motor is defective	Contact our customer service

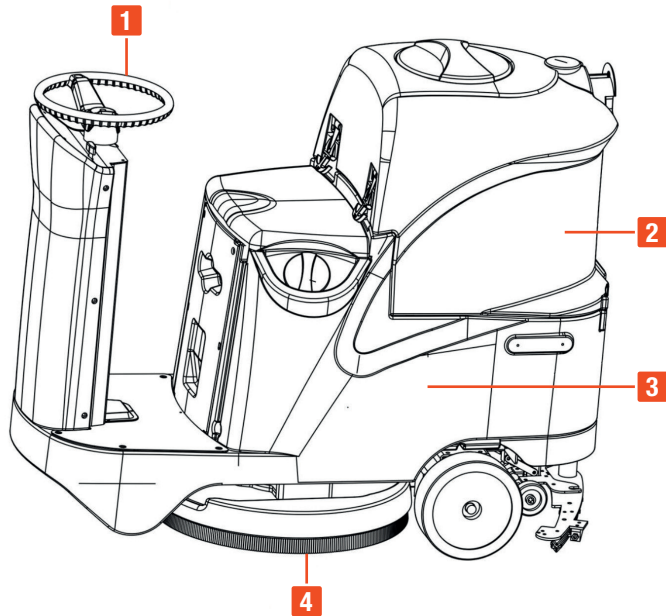


Protect the environment

Please dispose of the old machine parts such as packing material, battery, etc. and toxic liquids such as antifreeze and oil according to the local regulations for waste disposal and on the premise of maintaining environmental safety. Make sure that recycling is carried out properly.

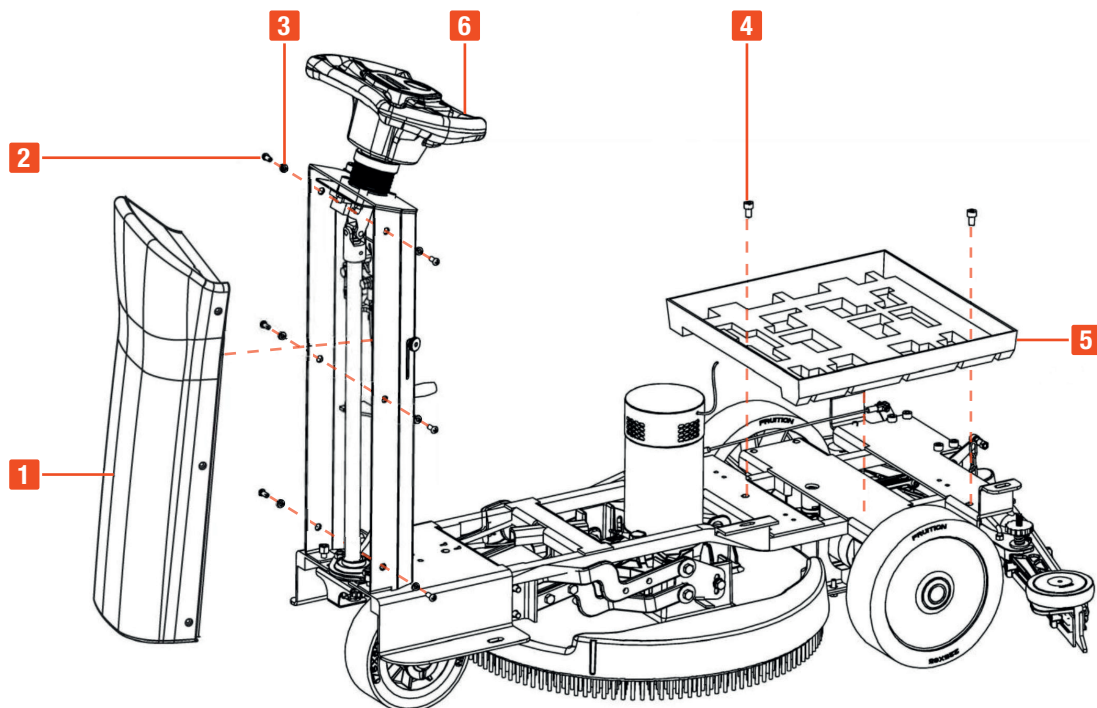
PARTS LIST

OVERVIEW



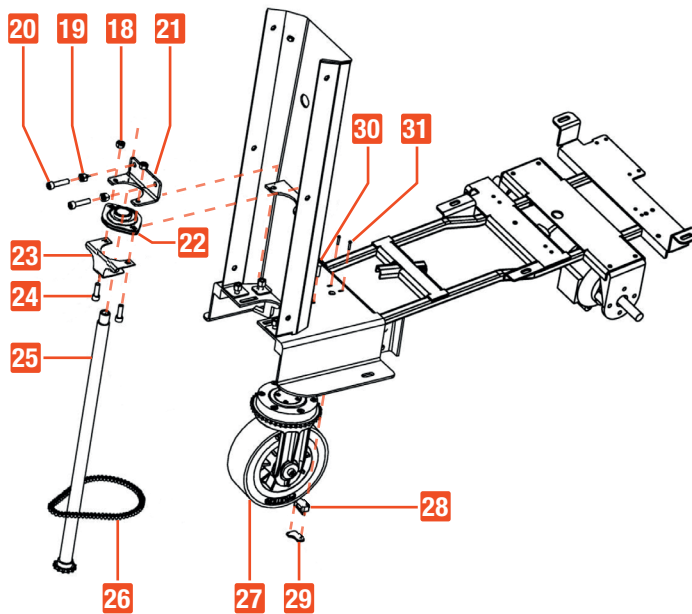
No.	Name	Quantity
1	Steering wheel	1
2	Waste water tank	1
3	Fresh water tank	1
4	Brush	1

STEERING COLUMN AND BODY



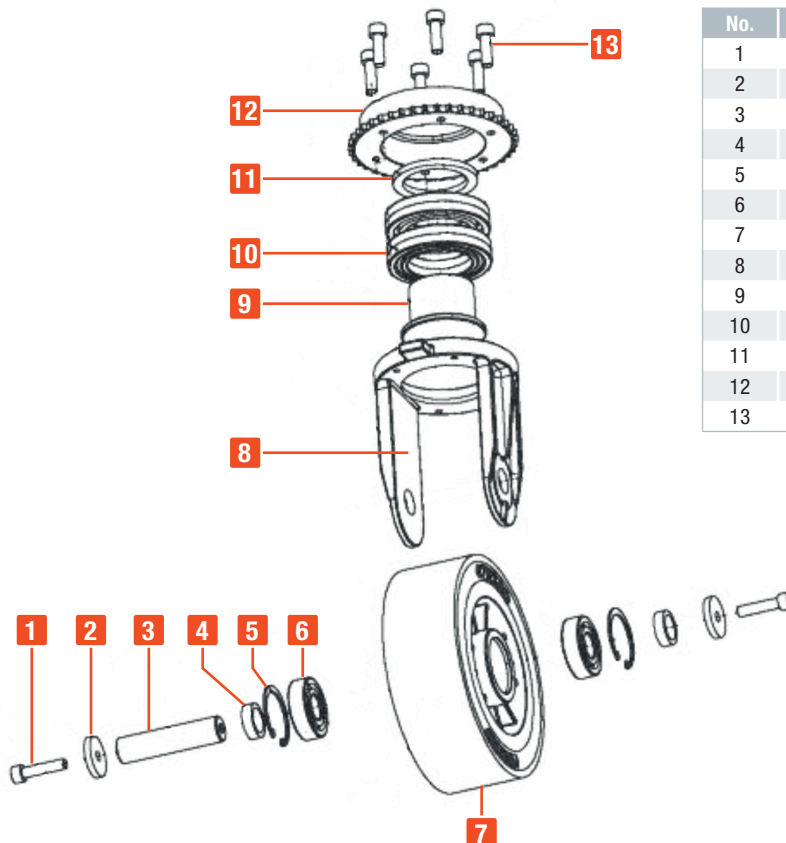
No.	Name	Quantity
1	Front cover	1
2	Screw M5 x 12	6
3	Washer	6
4	Screw M6 x 20	2
5	Battery box	1
6	Steering wheel	1

STEERING DEVICE



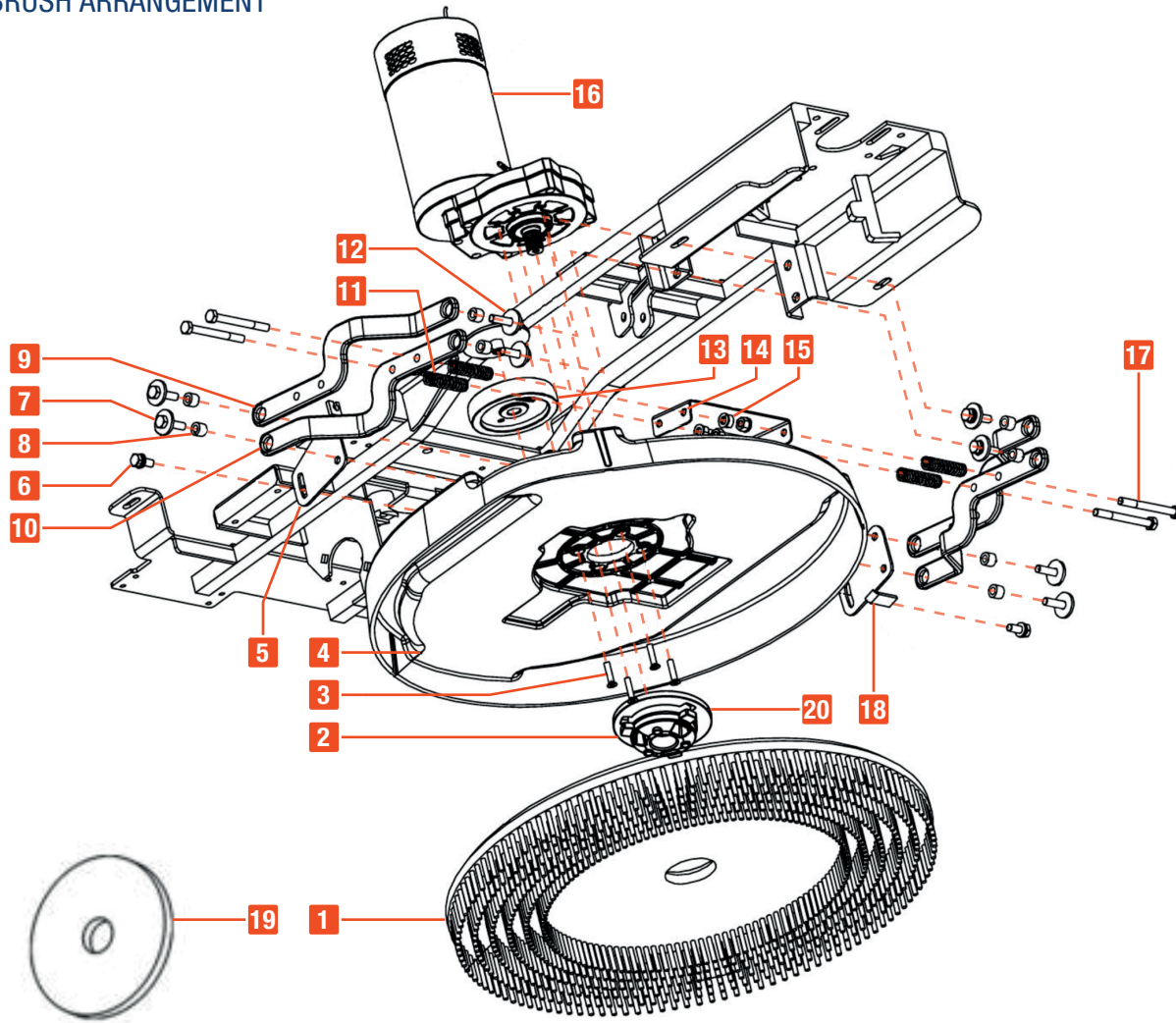
No.	Name	Quantity
18	Lock nut	2
19	Nut M8	2
20	Screw M8	2
21	Chain holder	1
22	Bearing	1
23	Protective rack	1
24	Screw M8 x 25	2
25	Pinion shaft	1
26	Chain	1
27	Wheel	1
28	Master controller	1
29	Master controller plate	1
30	Screw M8 x 16	4
31	Screw M3 x 20	2

STEERING WHEEL ASSEMBLY



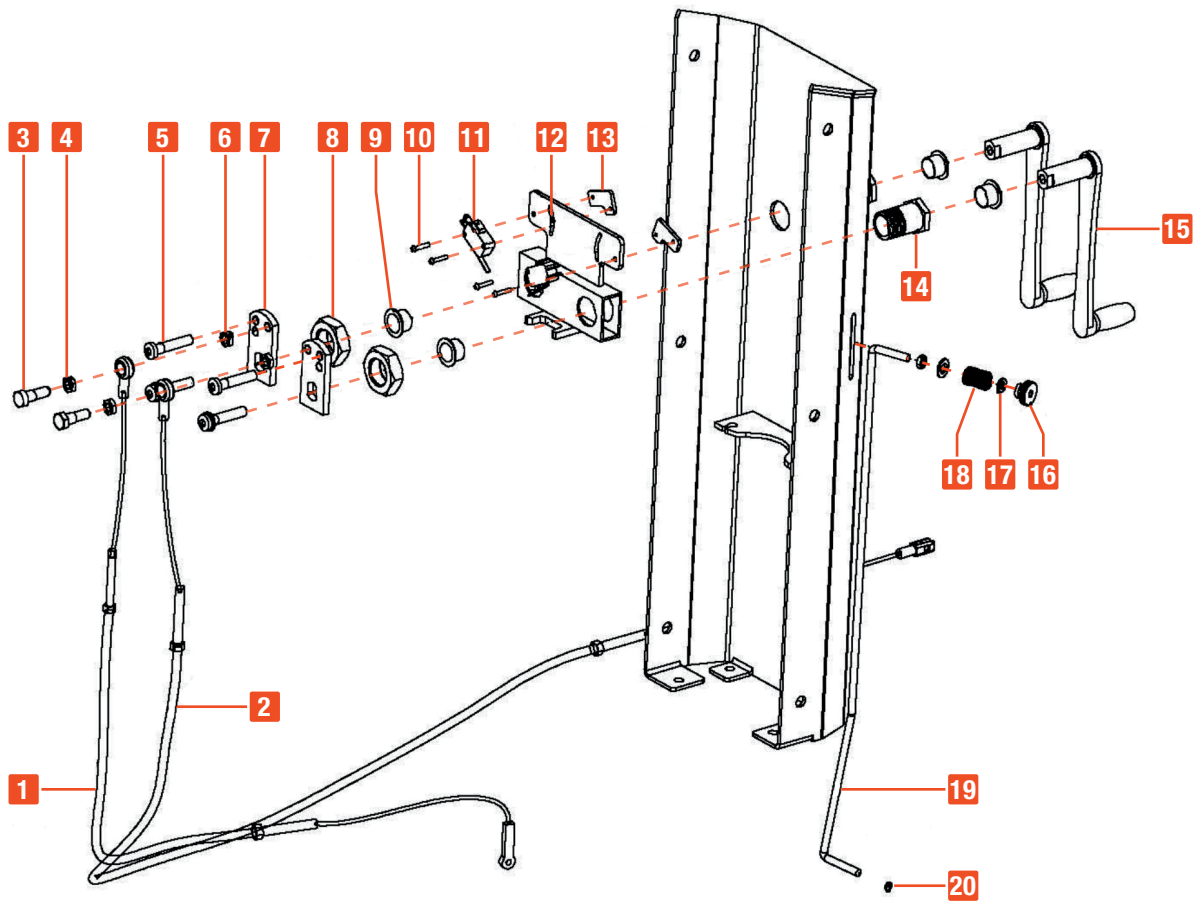
No.	Name	Quantity
1	Screw M8 x 16	2
2	Washer M8	2
3	Wheel axle	1
4	Wheel sleeve	2
5	Circlip	2
6	Bearing	2
7	Front wheel	1
8	Wheel holder	1
9	Spindle	1
10	Bearing	2
11	Spacer	1
12	Sprocket	1
13	Screw M6 x 30	6

BRUSH ARRANGEMENT



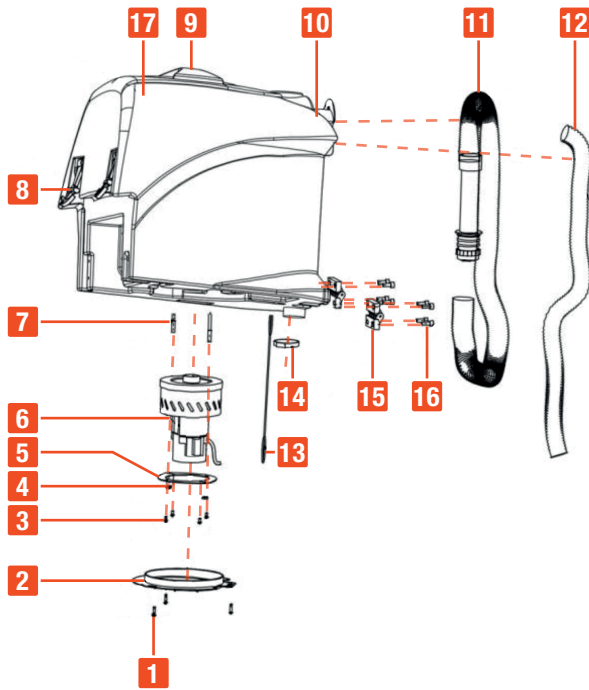
No.	Name	Quantity
1	Brush	1
2	Brush plate	1
3	Screw	1
4	Brush holder	1
5	Adjustable plate	1
6	Screw M8 x 30	8
7	Washer M8	12
8	Copper bush	8
9	Left connecting rod	2
10	Right connecting rod	2
11	Spring	4
12	Lock nut M8	2
13	Protective wheel	1
14	Connecting plate	1
15	Lock nut M8	4
16	Brush motor & gearbox	1
17	Screw M8 x 70	4
18	Adjustable plate	1
19	Brush plate	1
20	Brush clamp	1

LEVER SYSTEM FOR BRUSH AND WIPER



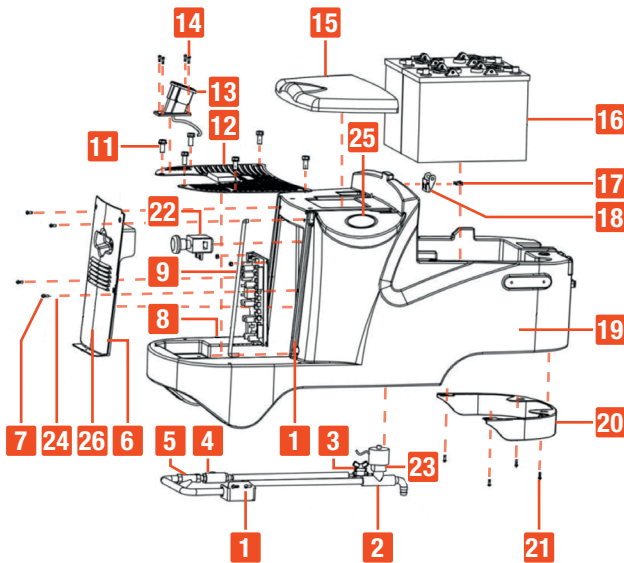
No.	Name	Quantity
1	Brush rope	1
2	Wiper rope	1
3	Screw	2
4	Nut M8	2
5	Screw M8 x 35	2
6	Screw	2
7	Plate	2
8	Nut M24 x 20	2
9	Copper brush	4
10	Round screw M3 x 20	4
11	Contact switch	2
12	Switch holder	1
13	Switch release plate	2
14	Core hole screw M24 x 20	2
15	Rocker handle	2
16	Screw	1
17	Washer	1
18	Spring	1
19	Release lever	1
20	Joint	1

WASTE WATER TANK



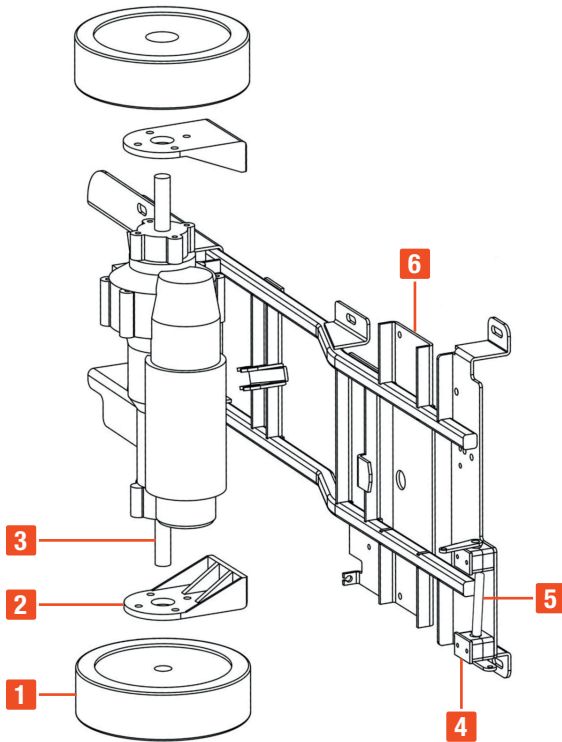
No.	Name	Quantity
1	Screw M5 x 12	9
2	Motor cover	1
3	Nut M6	2
4	Washer	4
5	Motor mounting plate	1
6	Vacuum motor	1
7	M6 x 95	2
8	Rubber handle	1
9	Waste water tank cover	4
10	Bracket	2
11	Drain pipe	1
12	Intake pipe	2
13	Rope	1
14	Clamp	1
15	Hinge	1
16	Screw	8
17	Collecting tank	1

FRESH WATER TANK



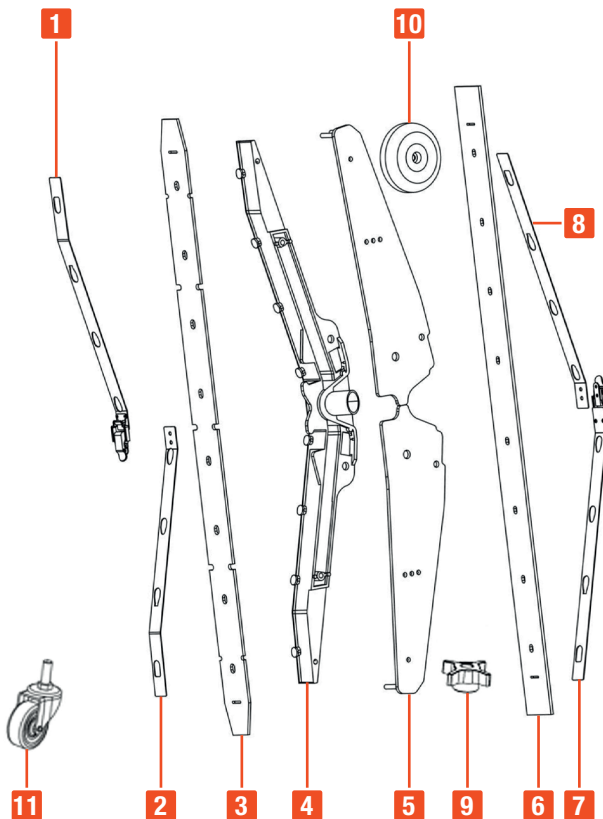
No.	Name	Quantity
1	Solenoid valve	1
2	T-connector	1
3	Damper switch	1
4	Solenoid valve	1
5	Water filter	1
6	Cover	1
7	Screw M5 x 12	10
8	Nut M12	2
9	Tube for level indicator	1
10	Printed circuit board assembly	1
11	Pagoda seal	10
12	Pagoda plate	1
13	Accelerator pedal	1
14	Screw M5 x 12	3
15	Cushion	1
16	Batteries	2
17	Screw	2
18	Switch seat	1
19	Water tanker	1
20	Rear wall	1
21	Screw	4
22	Emergency stop switch	1
23	Filter	1
24	Plastic washer	1
25	Cover	1
26	Charging connector	1

REAR DRIVE UNIT



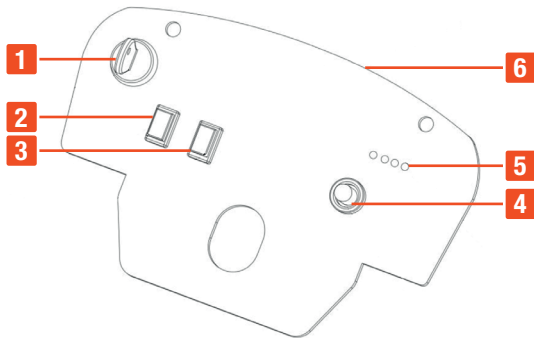
No.	Name	Quantity
1	Drive wheel	2
2	Drive axle plate	2
3	Drive axle	1
4	Mounting block	4
5	Suction bar lever	1
6	Frame	1

WIPER BAR



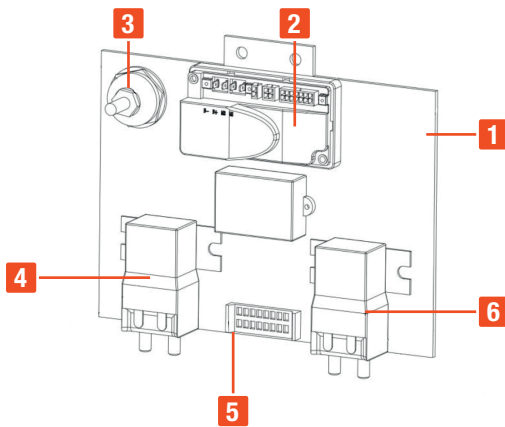
No.	Name	Quantity
1	Front strip 3	1
2	Front strip 4	1
3	Front rubber 2	2
4	Body	2
5	Bracket 1	1
6	Rubber 2	2
7	Rear panel 1	2
8	Rear panel 2	2
9	Turning wheel	2
10	Roll	2
11	Wheel	2

CONTROL PANEL



No.	Name	Quantity
1	Keyhole	1
2	Brush switch	1
3	Suction switch	1
4	Direction switch	1
5	Battery indicator	1
6	Control panel	1

ELECTRICAL CONTROL BOARD



No.	Name	Quantity
1	Plate	1
2	Controller	1
3	Wires connectors	1
4	Switching protection	1
5	Printed circuit board	1
6	Switch protection	1

SERVICE & CONTACT

Contact our product experts and find help and solutions for your product. Here you will find all contact information listed by country and language: www.topregal.us/en-us/service

Responsible for the content:
 TOPREGAL US Corp.
 729 North Route 83, Suite 309
 Bensenville, IL 60106
 United States of America
www.topregal.us

EU Declaration of Conformity

The manufacturer

TOPREGAL US Corp.
729 North Route 83
Suite 309
60106 Bensenville, IL
USA

hereby declares that the following product

Product designation:

Ride-on scrubber-dryer

Type:

SWA70

Serial number:

SWA70-1000000000-SWA70-9999999999

complies with all relevant provisions of the applicable legal regulations (hereinafter) - including their amendments in force at the time of the declaration. The sole responsibility for issuing this declaration of conformity lies with the manufacturer. This declaration refers only to the machine in the condition in which it was placed on the market; parts and / or interventions subsequently fitted by the end user are not taken into account.

Conforms to the provisions of the following European directives:

2006/42/EC Machinery Directive

Conforms to the provisions of the following standards:

EN ISO 12100
EN 60335-1+AC+A11+A13
EN 60335-2-72

Name and address of the person who is authorized, compile the technical documentation:

TOPREGAL US Corp.
729 North Route 83
Suite 309
60106 Bensenville, IL
USA



Place: Bensville
Date: 06-13-2022

Juergen Effner
Chief Executive Officer

