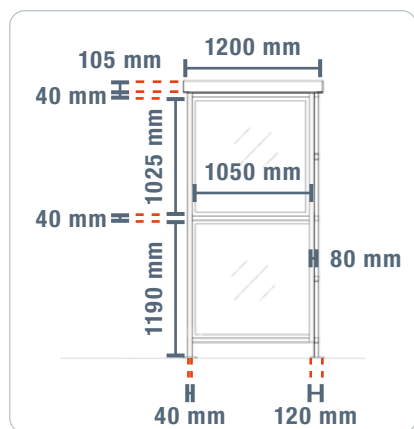


## SMOKING SHELTER US-SERIES US1600/6 + US2200/7

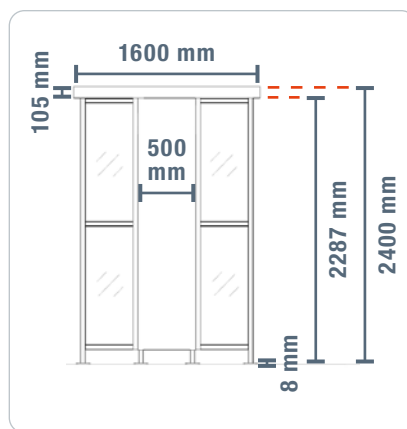
### CHARACTERISTICS

- Smoking shelters protect your employees from wind and weather
- Sturdy 10 mm thick polycarbonate panes provide an excellent view of the outdoors
- Galvanized steel roof allows for easy setup outside buildings and halls
- Sturdy, yet lightweight steel construction ensures easy transportation
- TOPREGAL smoking cabins offer space for 3 - 7 people

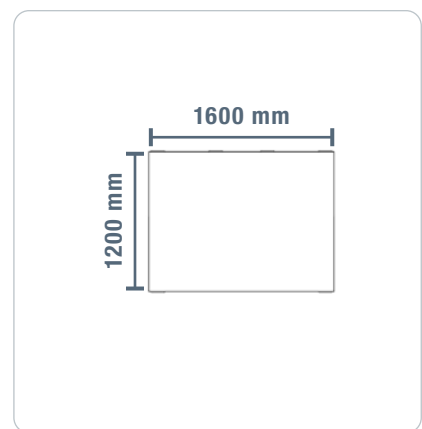
Type	Unit	Small smoking shelter	Large smoking shelter
Width	mm	1600	2200
Depth	mm	1200	1650
Height	mm	2400	2400
Room area	m <sup>2</sup>	1,5	3
Weight	kg	93	119
Number of persons		3	7
Frame material		Galvanized steel	
Roof material		Galvanized steel	
Window material		Polycarbonate	



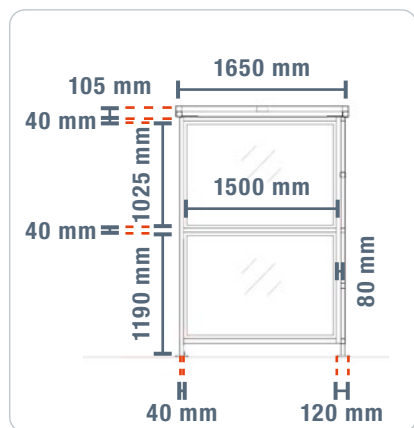
Small smoking shelter – Side view



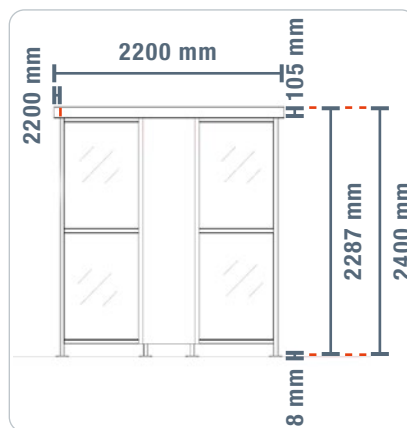
Small smoking shelter – Front view



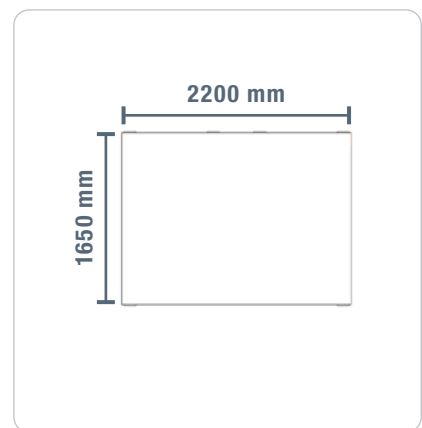
Small smoking shelter – Top view



Large smoking shelter – Side view



Large smoking shelter – Front view



Large smoking shelter – Top view