



ASSEMBLY INSTRUCTIONS

Large smoking shelter

US2200/7



Please read this manual before using the product and follow the instructions it contains!

GENERAL

Foreword	3
Safety instructions	3
Technical data	3
Parts list	4
Assembly instruction	5

MAINTENANCE

Service & contact	5
-------------------	---

FOREWORD

Congratulations on the purchase of your new smoking shelter. This smoking shelter is made of high quality materials, specially designed for durable and reliable use. For your own safety and to ensure proper installation of the smoking shelter, be sure to read and follow these operating instructions before operating the unit. Keep these operating instructions.

Check the booth for transport damage. Damaged smoking shelters must not be put into use.

The smoking shelter is designed to protect against the effects of weather, such as precipitation and sun. Improper assembly may result in injury or damage to the booth.

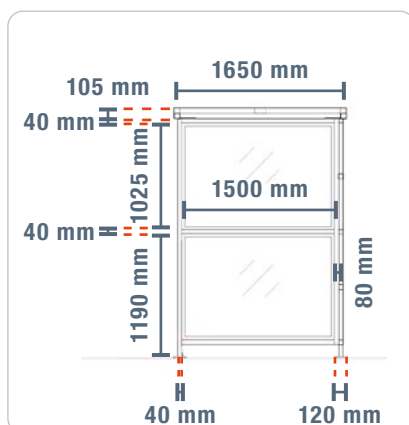
TOPREGAL shall not be liable for any damage resulting from improper use or disregard of specifications and rules of conduct contained in this manual. The owner must ensure the correct assembly of the smoking shelter by trained and authorized personnel.

SAFETY INSTRUCTIONS

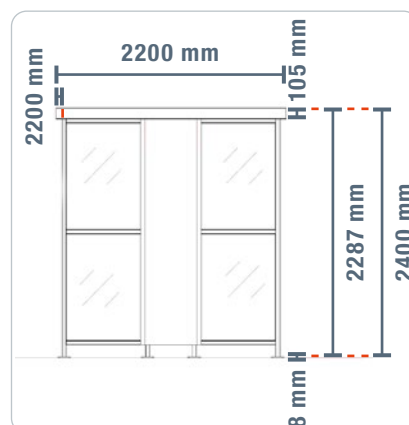
- Ensure correct assembly of the smoking shelter by qualified personnel. Only use the shelter when it is fully assembled.
- Wear suitable safety clothing such as gloves, safety shoes and helmet when assembling the smoking shelter.
- Do not load the roof of the smoking shelter beyond the specified roof load.
- Use only the supplied small parts for assembly.
- Fix the smoking shelter in the ground before use. Strong wind or sloping terrain may cause the shelter to tip over.
- Modifications and changes to the device not approved by the manufacturer will void the warranty.

TECHNICAL DATA

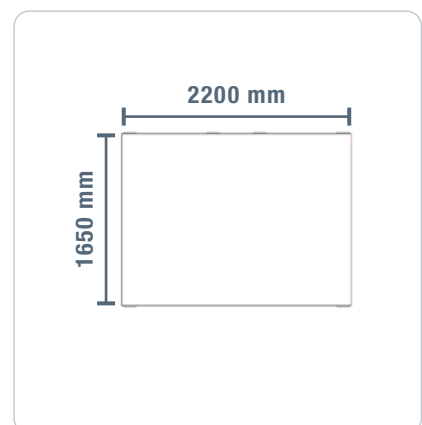
Type	Unit	Large smoking shelter
Width	mm	2200
Depth	mm	1650
Height	mm	2400
Room area	m ²	3
Weight	kg	119
Number of persons		7
Frame material		Galvanized steel
Roof material		Galvanized steel
Window material		Polycarbonate



Large smoking shelter – Side view



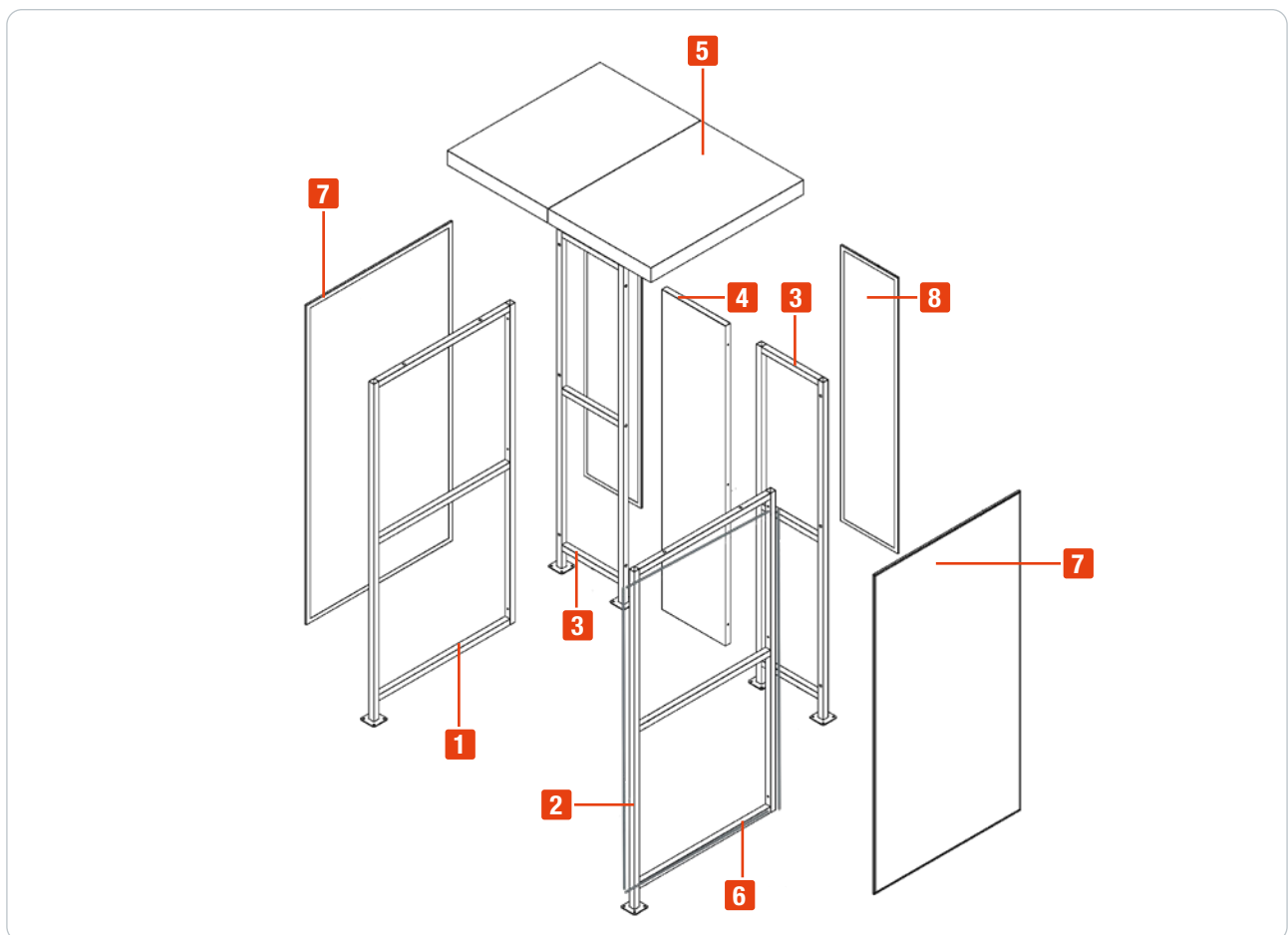
Large smoking shelter – Front view



Large smoking shelter – Top view

PARTS LIST

No.	Designation	Quantity
1	Side frame left	1
2	Side frame right	1
3	Rear frame	2
4	Rear panel	1
5	Roof plates	2
6	Mounting rails	6
7	Side polycarbonate panels	2
8	Rear polycarbonate panels	2
9	M14 x 60 Hexagonal head screw	6
10	M14 x 30 Hexagonal head screw	16
11	M4 x 18 self-drilling countersunk head sheet metal screws	48
12	M8 x 80 concrete screws	12



ASSEMBLY INSTRUCTION

1. Place the smoking shelter on a level and solid surface.
2. Screw the side frame on the left (1) to one of the rear frames (3).
3. Screw the front frame on the right (2) to one of the rear frames (3).
4. Screw the rear panel (4) between the rear frames (3).
5. Attach the mounting rails (6) to the bottom and sides of the front frame on the left (1) and right (2).
6. Slide the polycarbonate panels into the frame on the side (7) and on the rear (8) from top to bottom.
7. Screw the upper mounting rail to the front frames (1 & 2).
8. Place the roof (5) on the smoking shelter and screw it tight.
9. Place the smoking shelter in the desired location and fasten the foot plates to the floor using the bolt anchors.



For the assembly you need one ladder and 2 - 3 workers.

SERVICE & CONTACT

Contact our product experts and find help and solutions for your product. Here you will find all contact information listed by country and language: www.topregal.co.uk/en/service

Responsible for the content:
TOPREGAL GmbH
Industriestrasse 3
70794 Filderstadt
GERMANY
www.topregal.com

TOPREGAL