



ASSEMBLY INSTRUCTIONS

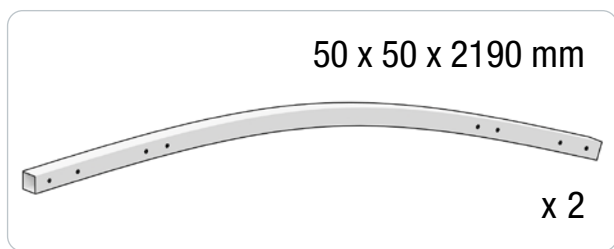
Bike shelter

F350/5

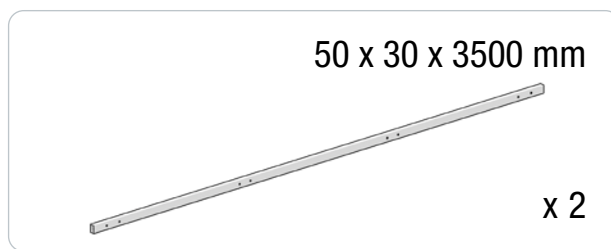


Please read this manual before using the product and follow the instructions it contains!

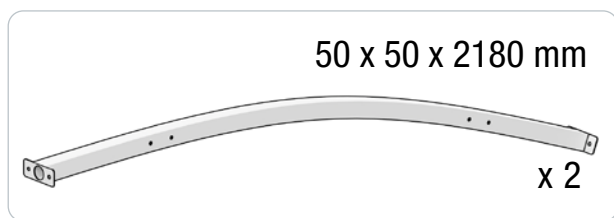
A Curved roof beam



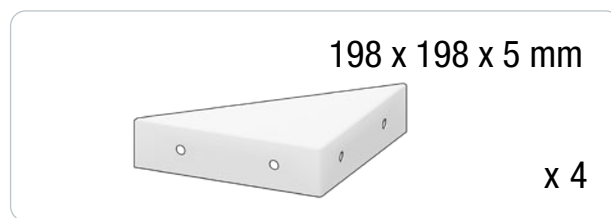
B Straight roof beam



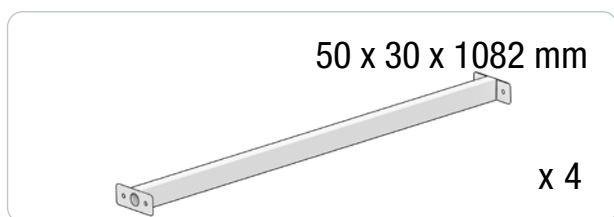
C Curved roof beam



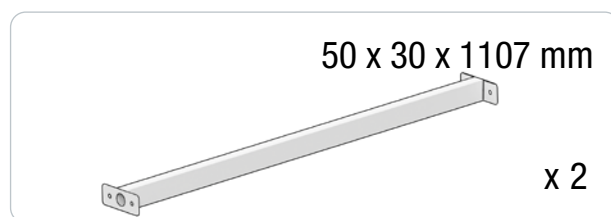
D Corner piece



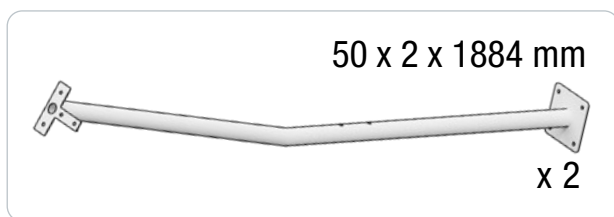
E Connecting strut



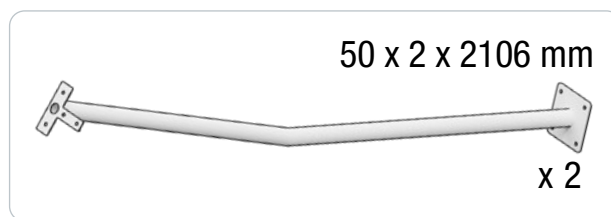
F Connecting strut



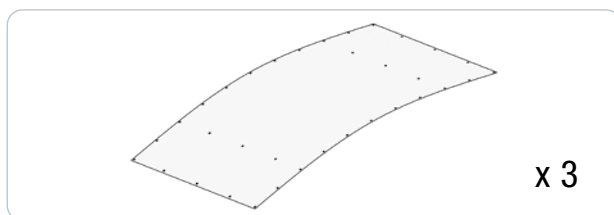
G Small stand



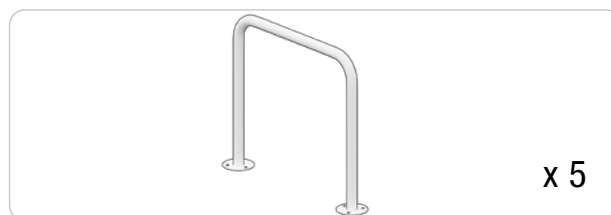
H Tall stand

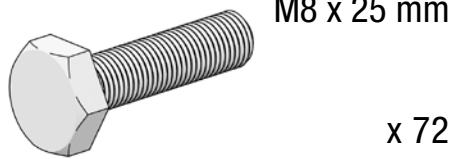
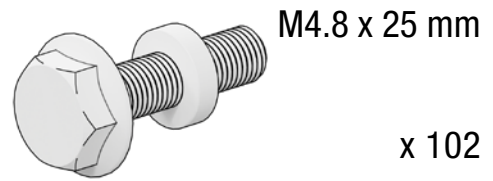
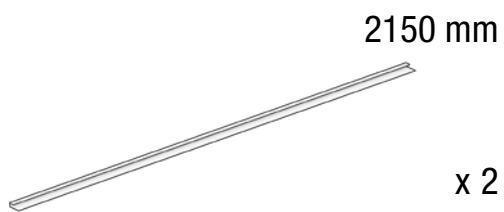
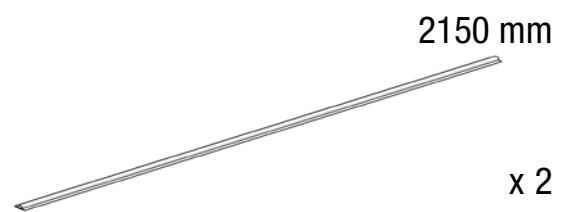
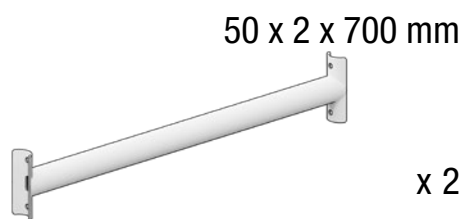


I Polycarbonate board

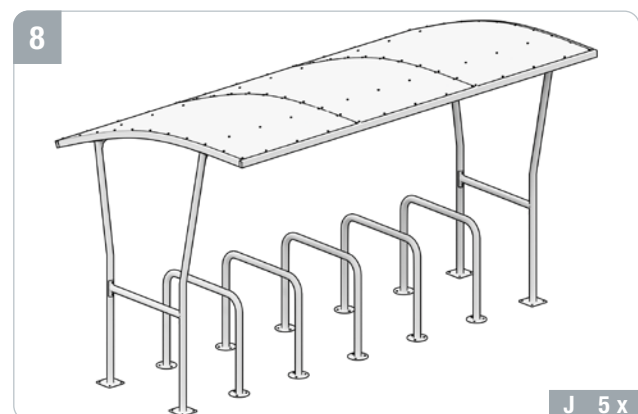
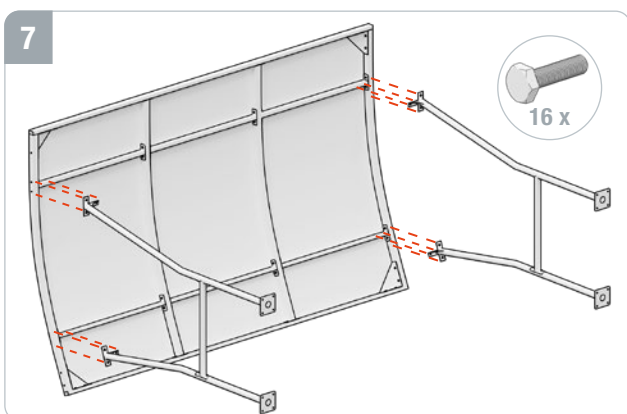
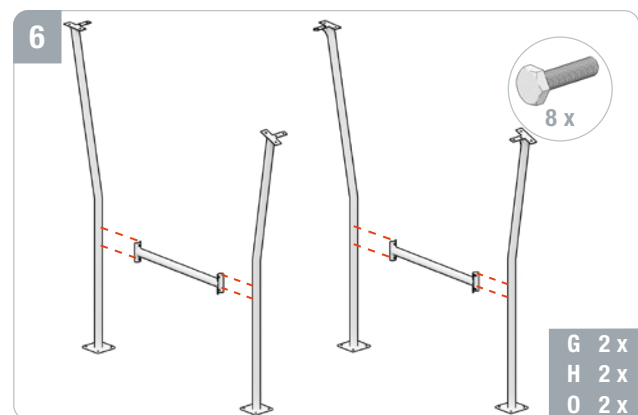
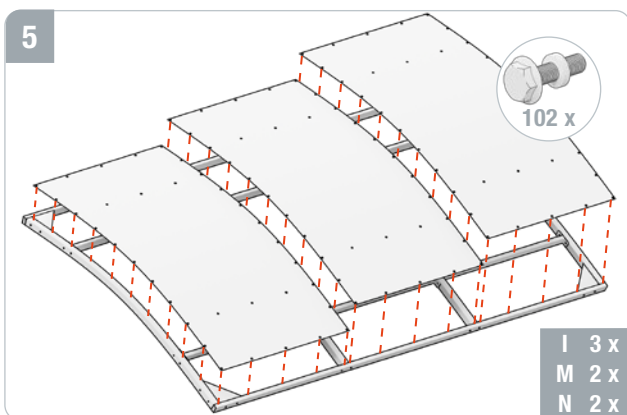
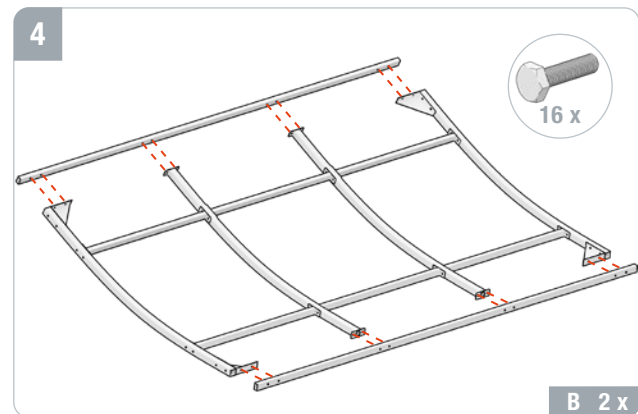
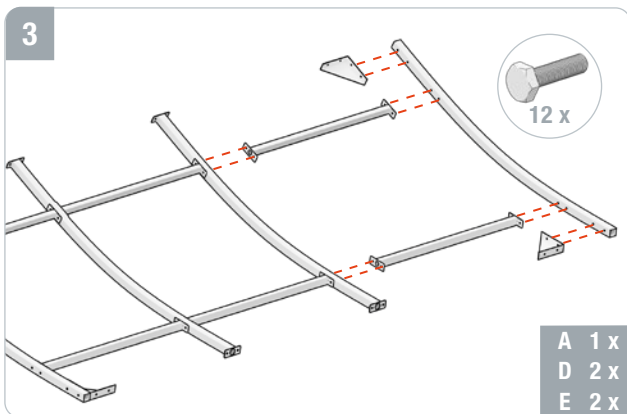
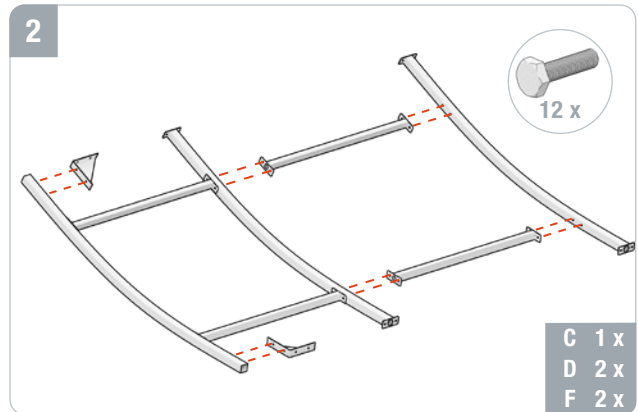
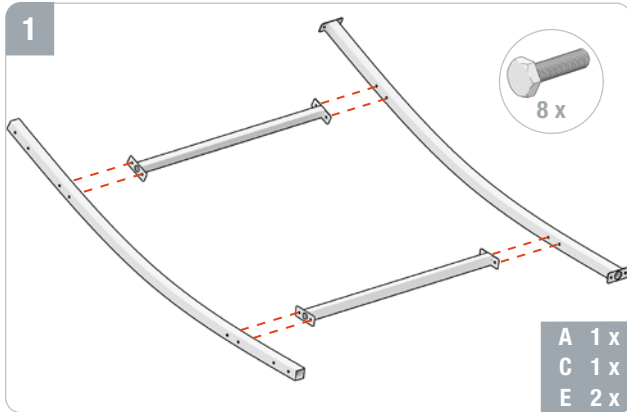


J Bicycle stand



K Hexagon head screw**L** Hexagon head screw**M** Outer aluminium rail**N** Inner aluminium rail**O** Stand connection

ASSEMBLY



SERVICE & CONTACT

Contact our product experts and find help and solutions for your product. Here you will find all contact information listed by country and language: www.topregal.co.uk/en/service

Responsible for the content:
TOPREGAL GmbH
Industriestrasse 3
70794 Filderstadt
GERMANY
www.topregal.com

TOPREGAL