



OPERATING INSTRUCTIONS

Digital information terminal

DITT-LED32



Please read this manual before using the product and follow the instructions it contains!

GENERAL

Foreword	3
Safety instructions	3
Technical data	4
Overview of the main components	5
Assembly	6
Operating instructions	7

MAINTENANCE

Regular inspections	10
Troubleshooting	10
Service & contact	10
UKCA Declaration of Conformity	11

FOREWORD

Congratulations on the purchase of your new digital advertising display DITT-LED32. This digital information terminal is made of high quality materials, specially designed for durable and reliable use. For your own safety and for the correct operation of the digital advertising display, please be sure to read and observe these operating instructions before commissioning.

Keep these operating instructions. Check the DITT-LED32 for transport damage. Damaged digital displays must not be pulled into use.

The digital advertising display is used for the customer-effective display of advertising. Improper handling may result in injury or damage to the device. Any liability for damages resulting from the improper use of the DITT-LED32, or the disregard of specifications and rules of conduct of this manual is excluded. The operator is responsible for ensuring correct use by trained and authorized personnel.

SAFETY INSTRUCTIONS

- Do not use or store the device in a damp environment. Ensure that the ambient temperature is between 0 - 50 °C.
- The digital advertising display is only suitable for indoor use. Do not use it near water.
- Make sure that the surface is level.
- Switch off the power supply and disconnect the plug before cleaning the display. Spray cleaning solution on a microfiber cloth to clean the device. Never spray cleaning solution directly on the device.
- Do not block the ventilation slots or place the device near a heat source or other equipment that may affect ventilation.
- Do not perform repair work on your own. Contact our customer service department in case of problems.
- Use the device with a stable power supply. Use only the power cord supplied with the unit.
- Overloaded mains sockets and extension cords are a source of danger. This also applies to damaged power cords and plugs. This may result in the risk of electric shock or cable fire.
- Do not drop any objects onto the device.
- Do not subject the device to shocks.
- Disconnect the device from the power supply when not in use. Never leave the display on when you leave the premises.
- Never touch the power cord during a lightning storm. There is a high risk of electric shock.
- Modifications and changes to the device not approved by the manufacturer will void the warranty.

TECHNICAL DATA

GENERAL

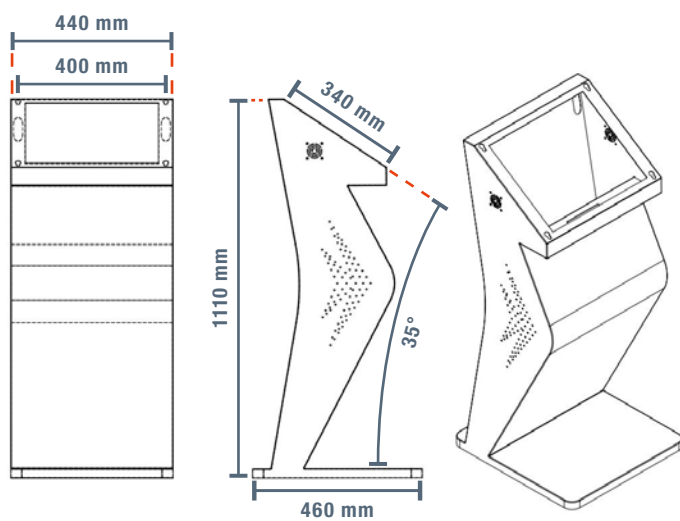
Type	Unit	Value
Model		DITT-LED32
Colour		White
Dimensions (W x D x H)	mm	750 x 460 x 1110
Weight	kg	25
Operating system		Android 11
Application area		Indoor
Operating time	h/d	24 / 7
Loudspeaker		2 x 5 W Stereo
Connectors / Interfaces		LAN / 2 HDMI / 2 USB / Headphone jack / WIFI
Power consumption (on)	W	≤ 130
Power consumption (standby)	W	≤ 4
Power supply	V	14

SYSTEM

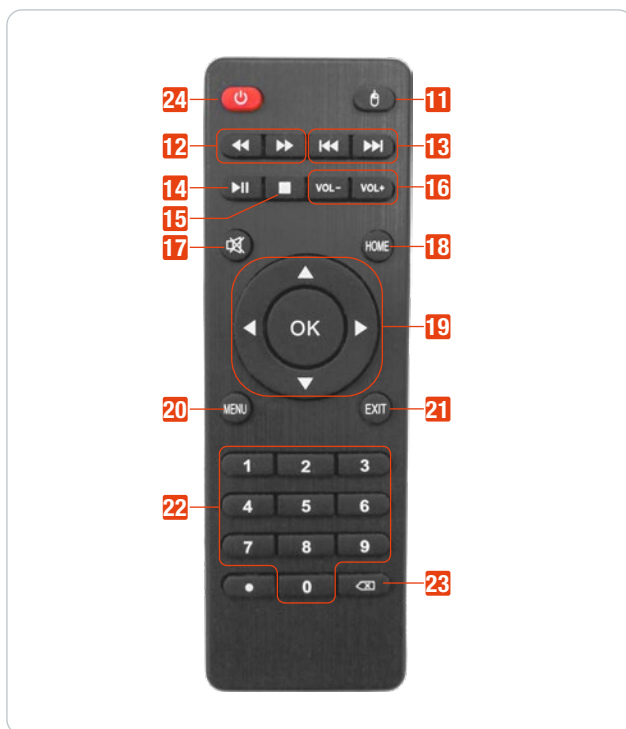
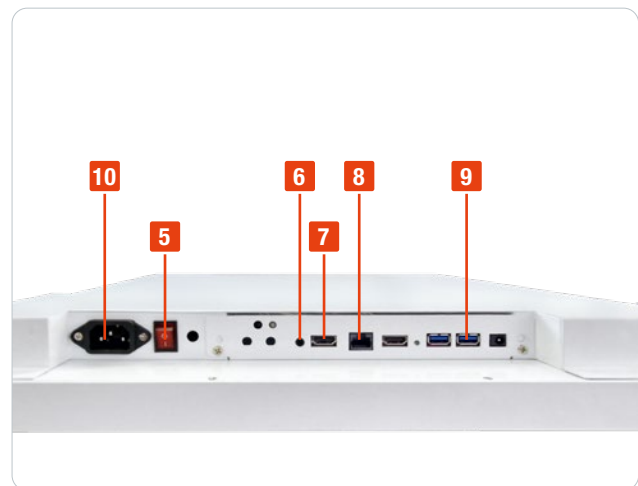
Type	Unit	Value
Operating		Remote control / Touch
Response time	ms	6
Processor (CPU)		Rockchip RK3568
Memory	GB	2 RAM / 16

DISPLAY

Type	Unit	Value
Material		ESD glass
Screen diagonal	"	32
Screen dimensions (W x H)	mm	697 x 392
Format		16:9
Resolution	px	1920 x 1080 (Full HD)
Brightness	cd/m ²	300
Contrast		1200:1
Colours	Mio.	16.7
Lifetime	h	50,000
Touchscreen		Infrared



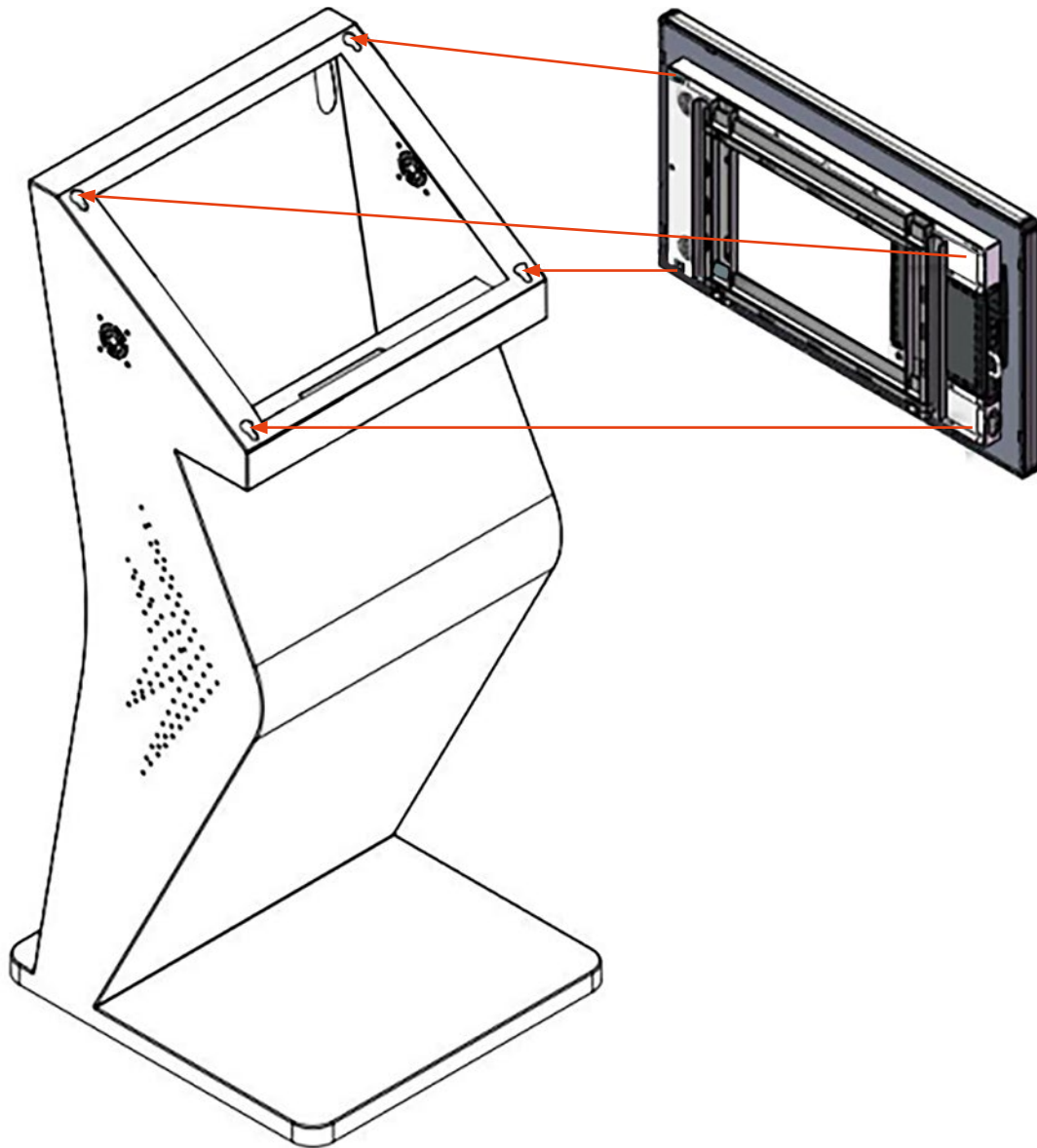
OVERVIEW OF THE MAIN COMPONENTS



No.	Name
1	Touch display
2	Stand
3	Ventilation openings
4	Mains cable
5	On / Off switch
6	Headphone jack
7	HDMI
8	RJ45 / LAN
9	USB
10	Power cord connector
11	Using the mouse
12	Forward / Rewind
13	Title forward / Title back
14	Play / Pause
15	Stop
16	Volume up / down
17	Sound off
18	Home
19	Control pad
20	Menu
21	Back
22	Numeric keys
23	Delete
24	ON / OFF
25	Antenna

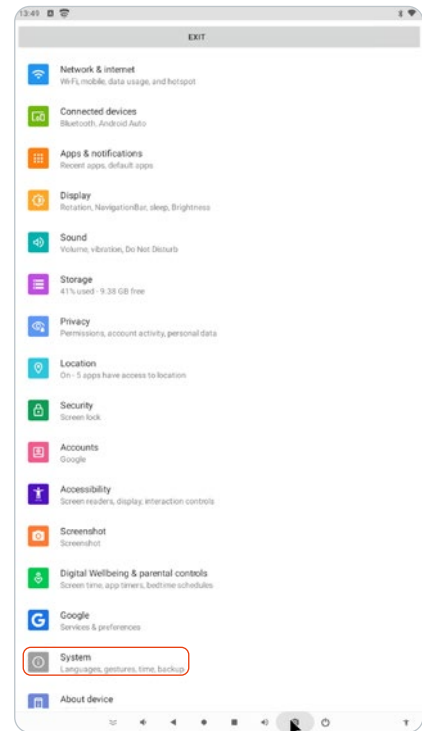
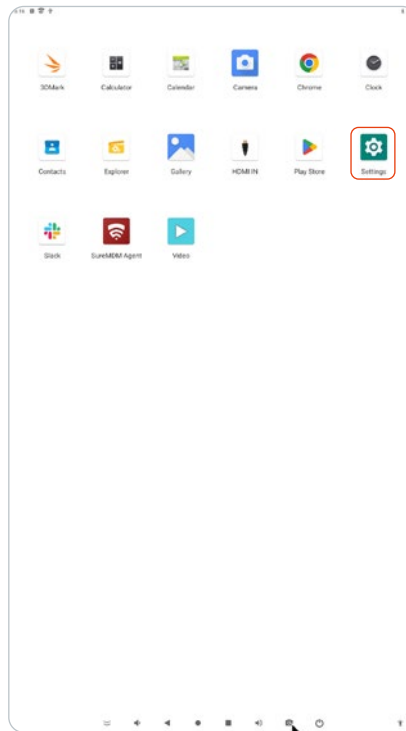
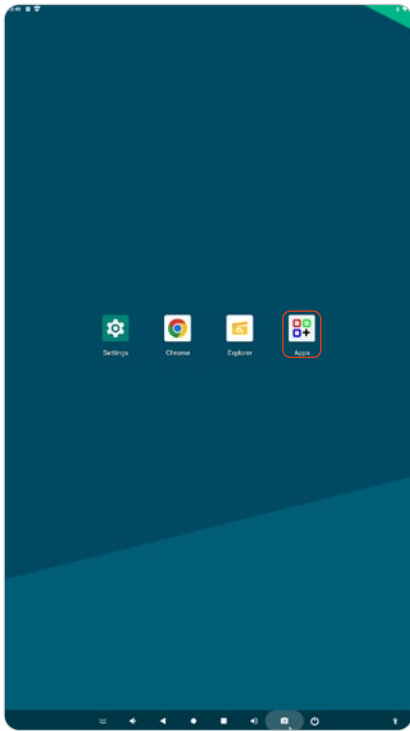
ASSEMBLY

Place the 32 " screen on the stand with the enclosed screws and tighten them from behind. If necessary, anchor the stand in the floor to secure the DITT-LED32 against tilting.

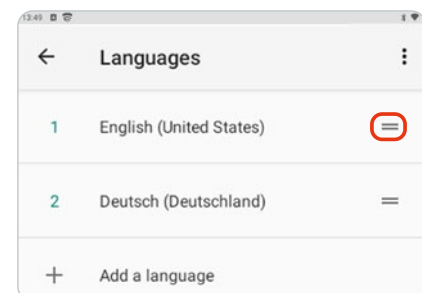
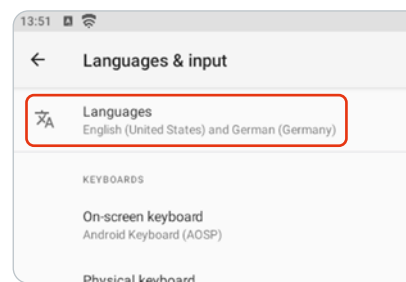
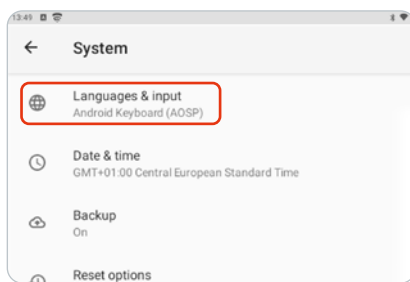


OPERATING INSTRUCTIONS

1. Make sure that the power cable is plugged in correctly.
2. Now switch on the unit by flipping the ON / OFF toggle switch (6) on the back of the unit.
3. As soon as you switch on the unit, the Android operating system starts and the start screen opens.
4. Select the desired app using touch, the remote control or a mouse.
5. Use the options menu at the bottom centre of the screen to reach the app overview. All installed apps are listed here. Select the desired app. In the settings, the penultimate tab is "Settings". Here you can adjust all relevant settings, such as time, language and background image.



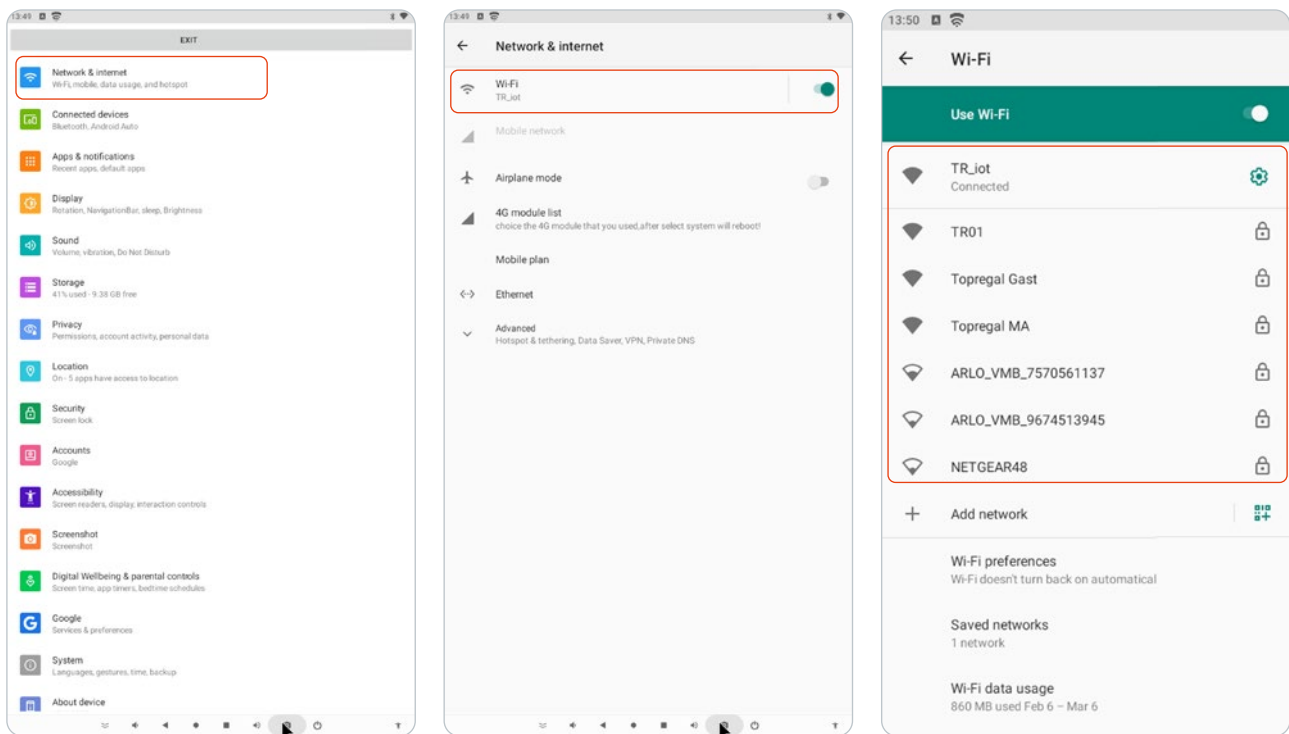
CHANGING THE LANGUAGE



1. Open the "System" tab.
2. Go to "Languages & Input".
3. Go to "Languages".
4. Look for new languages under the tab "Add a language".
5. Move the desired language to the top using the two horizontal lines.

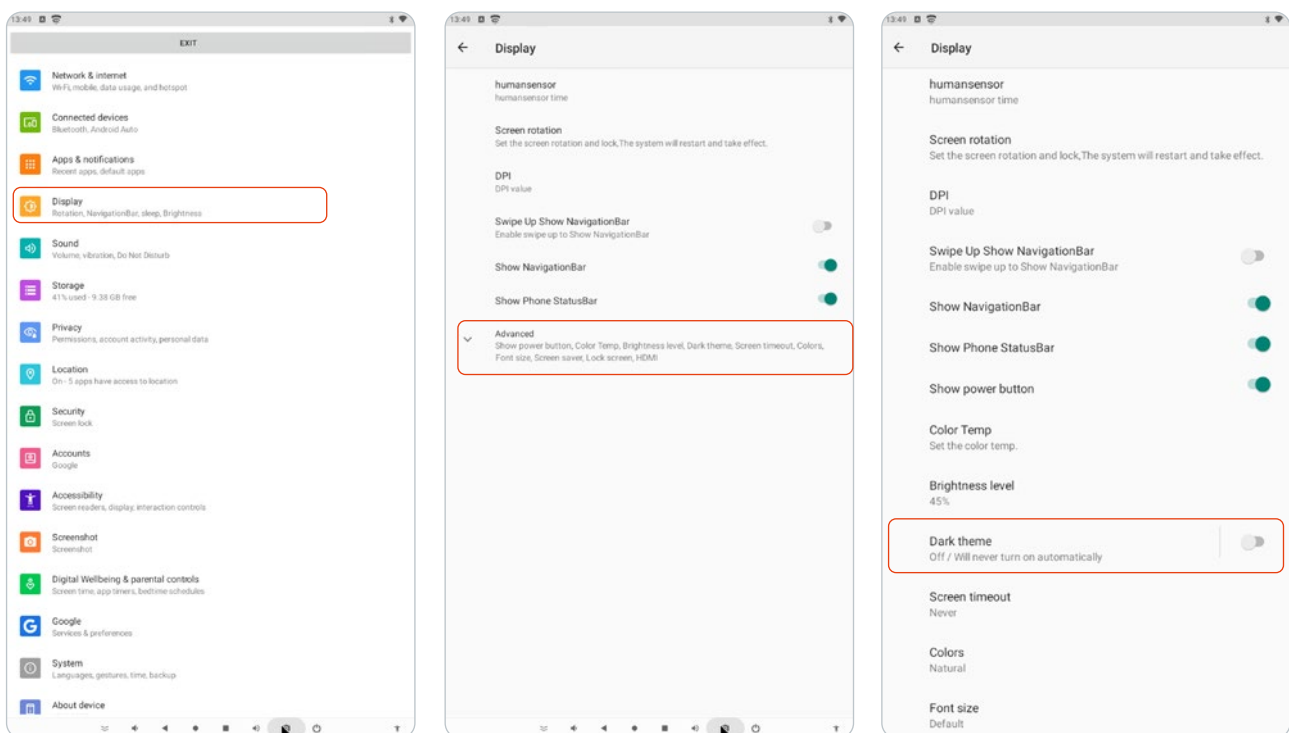
CONNECT TO THE INTERNET

To connect the advertising display to the internet go to the submenu "Network & internet" and enter the access data of your router or use a LAN cable.

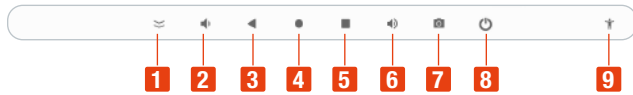


SETTING THE DISPLAY

1. If you want to change the screen display permanently go to the menu item "Display". Here you can set display options.



2. You can quickly activate and deactivate functions such as WIFI via the "Status bar" at the top of the screen.
3. You can also see your notifications here, such as received e-mails.
4. The "Navigation bar" at the bottom of the screen gives you the following options:



No.	Name
1	Hide bar
2	Volume down
3	Go back to previous page
4	Home screen
5	Overview of all open programmes / app selection
6	Volume up
7	Take screenshot
8	Turn off
9	Assistance

SETTING THE SOUND

You can adjust the volume using the remote control and directly via the "Navigation bar" on the display. In the "Sound" menu item, you can also set the applications for which the advertising display plays sounds.

The display supports the following formats

Medium	Formats
Video	MPEG-1, MPEG-2, MPEG4, H.264, WMV
Audio	MP3, DTS, AAC, WMA
Image	BMP, JPG, JPEG, PNG, GIF

You can download additional apps via the pre-installed Play Store. The digital advertising display comes with predefined apps.



If you want to display images and videos on the digital advertising display, make sure that they are provided in the correct format (16:9) or with the resolution 1920 x 1080.

CONNECTIONS

RJ45: To access the network if WiFi is not available or a LAN connection is preferred.

USB: External USB inputs. For quick and easy transfer of images and videos to the device.

HDMI IN: For reproducing e.g. computer content on the digital advertising display.

HDMI OUT: For reproducing the contents of the digital advertising display on external sources, such as displays.

REGULAR INSPECTIONS

Carry out regular visual inspections. Pay particular attention to the display and the power cord. Clean the display regularly.

Spray cleaning solution onto a microfiber cloth to clean the device. Never spray cleaning solution directly onto the device.

Regularly check the ventilation slots at the back of the digital advertising display.

TROUBLESHOOTING

Problem	Cause	Solution
No picture is displayed and no sound is played back	The power plug is not plugged in	Plug in the power plug
	The ON / OFF toggle switch on the back of the unit has not been flipped	Flip the switch
	The sound is set to silent	Increase the volume
The remote control does not work	The distance between the advertising display and the remote control is too wide	Reduce the distance between the advertising display and the remote control
	The batteries are empty	Replace the batteries (2 x AAA)
	The remote control is held incorrectly	Aim the remote control directly at the center of the advertising display
The advertising display crashes	Unstable internet connection	Ensure a stable internet connection
	Roaming activated	Deactivate roaming
Some colors are not displayed correctly	Cables at the back of the advertising display have slipped out	Open the control box at the back and check the cable connections

SERVICE & CONTACT

Contact our product experts and find help and solutions for your product. Here you will find all contact information listed by country and language: www.topregal.co.uk/en/service

Responsible for the content:
 TOPREGAL GmbH
 Industriestrasse 3
 70794 Filderstadt
 GERMANY
www.topregal.com

UKCA Declaration of Conformity

The manufacturer

TOPREGAL UK Ltd.
Carlton Drive Crumlin
Gwent NP11 4EA

hereby declares that the following product

Product name:

Tecmaschin
Digital information terminal

Type:

DITT-LED32

Serial number:

DITT-LED32-1000000000 - DITT-LED32-9999999999

that the equipment is in conformity with the following relevant UK legislations and applied standards:

2014/53/EU Radio Equipment Directive

EN IEC 62368
EN IEC 62311
EN 301 489
EN 300 328

Name and address of the person who is authorized, compile the technical documentation:

TOPREGAL UK Ltd.
Carlton Drive Crumlin
Gwent NP11 4EA



Place: Crumlin UK
Date: 01.08.2022

Juergen Effner
Chief Executive Officer

TECMASCHIN