



OPERATING INSTRUCTIONS

LED solar light

SL50/25, SLS50/25, SL50/50, SLS50/50



Please read this manual before using the product and follow the instructions it contains!

GENERAL

Foreword	3
Technical data	3
Parts list	4
Assembly instructions	4
Operating instruction	5

MAINTENANCE

Troubleshooting	5
Service & contact	5
UKCA Declaration of Conformity	6

FOREWORD

Congratulations on the purchase of your new solar LED lamp.

The solar lamp is made of high quality materials, specially designed for durable and reliable use. For your own safety and for proper operation of the street lamp, be sure to read and follow these operating instructions before using the lamp. Keep these operating instructions in a safe place.

Check the solar lamp and if necessary the lamp pole for transport damage. Damaged street lamps must not be put into use.

The solar lamp is used to illuminate large areas, paths and production sites. Improper handling may result in injury or damage to the street lamp.

TecMaschin is not liable for damage resulting from the improper use of the street lamp, or the disregard of specifications and rules of conduct of this operating manual. The operator / user must ensure the correct installation of the skylight by trained and authorized personnel.

TECHNICAL DATA

LED-LIGHT

Type	Unit	SLS50/20	SLS50/50
Width	mm	210	
Depth	mm	490	
Height	mm	60	90
Net weight	kg	8	
Material		Aluminum	
Light color	K	6000	
Luminous flux	Lumen	1280	
Power	W	8	
Protection level		IP65	
Average lifetime	h	30000	

SOLAR PANEL

Type	Unit	SLS50/20	SLS50/50
Width	mm	530	
Depth	mm	670	
Height	mm	25	
Max. snow load	kg	5	
Efficiency	%	18	
Max. power output	W	50	
Open circuit voltage	V	7.2	
Max. operating voltage	V	6	
Short circuit current	A	9.32	
Max. power current	A	8.33	

BATTERY

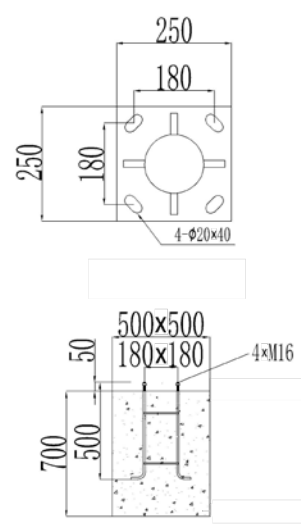
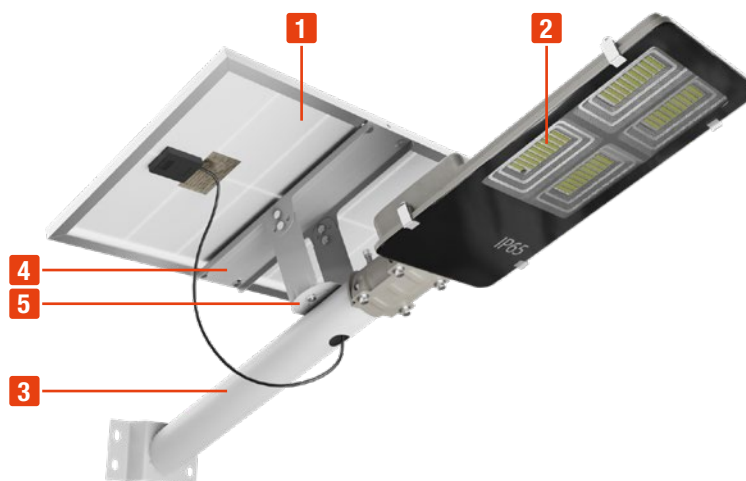
Type	Unit	SLS50/20	SLS50/50
Battery type		LI-ION	
Width	mm	135	
Depth	mm	60	90
Nominal capacity	Ah	25	50
Rated voltage	V	3.2	
Max. continuous charging current	A	30	
Max. continuous discharge current	A	60	
Operating temperature	°C	- 30 – + 50	
Charging time	h	3 – 4	5 – 6
Running time	h	6 – 10	12 – 20

LAMP POST

Type	Unit	SLS50/20	SLS50/50
Lower diameter	mm	140	
Upper diameter	mm	60	
Height	mm	6000	
Dead weight	kg	35	
Material		Hot dip galvanized carbon steel	
Material thickness	mm	2.5	
Dimensions of base	mm	250 x 250	
Depth stand rods	mm	500	
Material thickness base	mm	10	
Max. Wind speed	m/s	36.9	

PARTS LIST

No.	Description	Quantity
1	Solar panel	1
2	LED lamp	1
3	Metal profile	1
4	Mounting plate	1
5	Angle plate	1
6	Phillips screw	8
7	Self-locking nut	8
8	Hexagon head screw	2
9	Hexagon nut	2
10	Pole	1
11	Base plate	1



ASSEMBLY INSTRUCTIONS

1. Dig a hole of appropriate size, see fig. 1. Fill it with concrete and place the base plate in it.
Info: The concrete must be dry before screwing the pole onto it.
2. Put the lamp (2) on the metal profile (3) and tighten the two screws on the back to fix it.
3. Screw the mounting plate (4) onto the back of the solar panel (1), using the enclosed Phillips screws (6) and nuts (7).
4. Screw the angle plate (5) to the metal profile (3) using the hexagonal screws (8) and nuts (9).
5. Screw the mounting plate (4), with the enclosed screws (6) and nuts (7) to the angle plate (5). Here you can adjust the desired angle of the solar panel to achieve the maximum charging effect.
6. Connect the cable to the solar panel.
7. Attach the entire structure to any surface or street pole.

OPERATING INSTRUCTION

- Switch the lamp on manually by pressing the power on button (1) for 2 - 3 seconds.
- Turn the lamp off manually by pressing the power off button (2) for 2 - 3 seconds.
- Press a percentage on the ring (4) to adjust the dimming of the lamp and save energy.
- Switch to the manual mode to set a lighting time. To do this, press 2, 3, 5, 6 or 8H. This corresponds to the glow time in hours. The automatic light regulation then starts.
- Activate the automatic light regulation (3) so that the lamp only lights up when it is dark. It will then be switched on when the solar panel is no longer working. In this mode, a motion detector is also active, which activates the lamp only when it is needed. After approx. 15 minutes, the lamp automatically switches to energy-saving mode. The light intensity is approx. 30 % of the full luminosity.

No.	Function
1	Power on button
2	Power off button
3	Automatic mode
4	Dimming function
5	2 hours lighting time
6	3 hours lighting time
7	5 hours lighting time
8	6 hours lighting time
9	8 hours lighting time



TROUBLESHOOTING

Problem	Cause	Solution
The LED light does not shine throughout the night	The solar panel is not exposed to sufficient sunlight	Adjust the angle of the solar panel so that it is oriented at a 90° angle to the sun if possible
		Remove obstructing objects that cover the solar panel
		Clear the solar panel of snow in winter
	The solar panel has been damaged	Replace the solar panel
	The wiring has come loose or has been damaged	Check the cables and connections for damage and repair them

SERVICE & CONTACT

Contact our product experts and find help and solutions for your product. Here you will find all contact information listed by country and language: www.topregal.co.uk/en/service

Responsible for the content:
 TOPREGAL GmbH
 Industriestrasse 3
 70794 Filderstadt
 GERMANY
www.topregal.com

UKCA Declaration of Conformity

The manufacturer

TOPREGAL UK Ltd.
Carlton Drive Crumlin
Gwent NP11 4EA

hereby declares that the following product

Product name:

TecMaschin
Solar LED flood light

Type:

SL50/25, SLS50/25,
SL50/50, SLS50/50

Serial number:

SL50/25-1000000000 – SL50/25-9999999999
SLS50/25-1000000000 – SLS50/25-9999999999
SL50/50-1000000000 – SL50/50-9999999999
SLS50/50-1000000000 – SLS50/50-9999999999

that the equipment is in conformity with the following relevant UK legislations and applied standards:

2014/30/EU Electromagnetic Compatibility
2014/35/EU Low Voltage Directive

EN IEC 55015+A11
EN 61547
EN 61000-3-2
EN 61000-3-3+A1
EN 60598-2-3+A1
EN 60598-1+A1

Name and address of the person who is authorized, compile the technical documentation:

TOPREGAL UK Ltd.
Carlton Drive Crumlin
Gwent NP11 4EA



Place: Crumlin UK
Date: 24.04.2023

Juergen Effner
Chief Executive Officer

TECMASCHIN