



## OPERATING INSTRUCTIONS

Load hook

LH2500



Please read this manual before using the product and follow the instructions it contains!

## GENERAL

Area of application	3
Intended use	3
Operator obligations	3
Technical data	4
Assembly	4
Use	4

## MAINTENANCE

Maintenance	5
Regular inspections	5
Repairs	5
Service & Contact	5
UKCA Declaration of Conformity	6

## AREA OF APPLICATION

Load hooks are used to grasp heavy goods and transport them with a forklift truck. To ensure safe handling, always observe the operating instructions of the forklift truck.

## INTENDED USE



**WARNING! Risk of injury if used incorrectly!**

Misuse of the load hook can lead to dangerous situations and serious injuries.

The load hook is used exclusively for picking up and transporting loads and may only be used on forklift trucks.

- Make sure that there are no persons or obstacles in the danger zone.
- Never exceed the maximum permissible load capacity of the load hook and the forklift truck.
- Observe the specifications in the technical data sheet.
- Do not use the load hook if it is damaged.
- Modifications and changes to the device not approved by the manufacturer will void the warranty.

## OPERATOR OBLIGATIONS

Load hooks are used in the commercial sector. The operator of the forklift truck is therefore subject to the legal obligations for occupational safety.

There is a risk of injury due to crushing! The weight of the load hook can cause crushing and serious injuries. Protective gloves must be worn during assembly and disassembly.

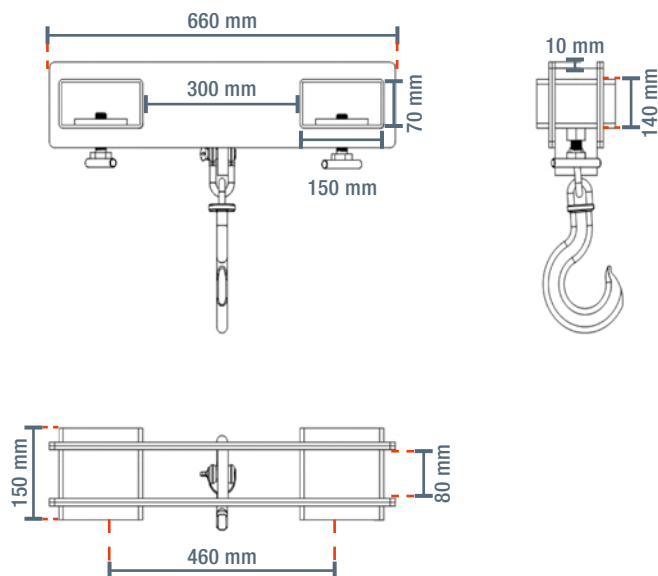
According to the German DGUV regulation 68, periodic inspections must be performed at least once a year with checklist FEM 4.004, 6.



Note that the use of the load hook shifts the load centre of your truck. For more information, refer to the load diagram and the load centre of your machine. Check that the load hook is compatible with your forklift (fork cross-section up to max. 150 x 60 mm).

## TECHNICAL DATA

Type	Unit	Value
Brand		SolidHub
Colour		RAL 5005
Surface		Painted
Width	mm	660
Weight	kg	24
Max. load	kg	2500
Distance fork pockets	mm	300
Size of fork openings	mm	150 x 70



## ASSEMBLY

1. Loosen the screw clamps of the load hook.
2. Carefully slide the load hook onto the forks so that it rests completely on the forks.
3. Tilt the forks towards the forklift truck to prevent the load hook from slipping. Never tilt the forks forward when using the load hook.
4. Tighten the two screw clamps.
5. Check that the load hook is firmly in place.

## USE

1. Secure the goods you want to transport with the hook.
2. Lift the goods slowly and make sure that there are no persons in the danger zone.
3. Make sure that the goods are lifted evenly, do not sway too much and hang parallel above the ground.
4. Lift the goods to transport height, as close to the ground as possible.
5. Transport the load to the desired location. Drive slowly and avoid unevenness and inclines / declines.
6. At the destination, carefully lower the goods and detach them from the hook.



Stop immediately if the forklift is in danger of tipping over.

## MAINTENANCE

- Daily visual inspection by the user.
- Check the tight fit of the screw clamps and look for cracks or deformations.
- Have the load hook inspected at least once a year by a competent person based on the current associated standard.
- Clean the load hook regularly. Use a broom or brush for this purpose.
- Remove dirt or rust with suitable tools.

## REGULAR INSPECTIONS

The respective inspection points (plus equipment identification) for the periodic inspections/thorough examinations are to be checked in an integrated manner in the associated inspection report of the lifting equipment, taking into account the mandatory fulfilment of the Lifting Operations and Lifting Equipment Regulations 1998 (LOLER). (Recommendation: FEM4.004)

## REPAIRS

Repairs may only be carried out by the manufacturer or a specialist company authorised by the manufacturer. The manufacturer declines all liability for any damage resulting from improper repair or welding work. Improper repairs or use of third-party components can lead to damage and loss of function. As a result, dangerous situations and serious injuries may occur. In the event of improper repairs, the warranty and the manufacturer's responsibility for consequential damage are voided.

## SERVICE & CONTACT

Contact our product experts and find help and solutions for your product. Here you will find all contact information listed by country and language: [www.topregal.co.uk/en/service](http://www.topregal.co.uk/en/service)

Responsible for the content:  
TOPREGAL GmbH  
Industriestrasse 3  
70794 Filderstadt  
GERMANY  
[www.topregal.com](http://www.topregal.com)

# UKCA Declaration of Conformity

The manufacturer

**TOPREGAL UK Ltd.  
Carlton Drive Crumlin  
Gwent NP11 4EA**

hereby declares that the following product

Product name:

**Load hook**

Type:

**LH2500**

Serial number:

**LH00000000001 - LH99999999999,  
LH2500-1000000000 - LH2500-9999999999**

that the equipment is in conformity with the following relevant UK legislations and applied standards:

**2006/42/EC Machinery Directive**

**EN ISO 12100**

Name and address of the person who is authorized, compile the technical documentation:

TOPREGAL UK Ltd.  
Carlton Drive Crumlin  
Gwent NP11 4EA



Place: Crumlin UK  
Date: 22.12.2023

Juergen Effner  
Chief Executive Officer



# SolidHub