

CRANE ARM WITH A MAXIMUM LOAD OF 2500 KG

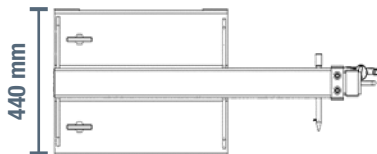
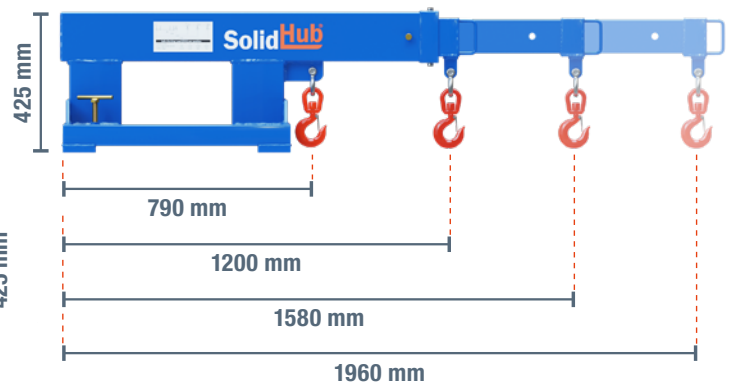
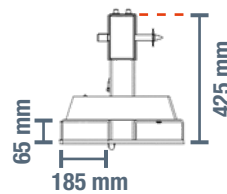
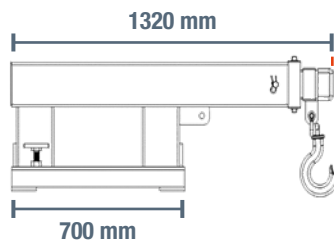
CHARACTERISTICS

- Grip and transport heavy loads easily from above
- Turn your truck into a mobile crane in no time at all
- The crane arm can be extended in 4 positions
- Secured with 2 screw clamps



Type	Unit	Value
Brand		SolidHub
Colour		RAL 5005
Surface		Painted
Length	cm	135
Width	cm	44
Height	cm	43
Weight	kg	91
Max. load	kg	2500
Size of fork openings	mm	185 x 65

Position	Max. working load per position			
	1	2	3	4
Extension (mm)	790	1200	1580	1960
Max. working load (kg)	2500	1200	900	750



Note that the use of the telescopic arm shifts the load centre of your truck. For more detailed information, refer to the heavy load diagram and the load centre of your machine.