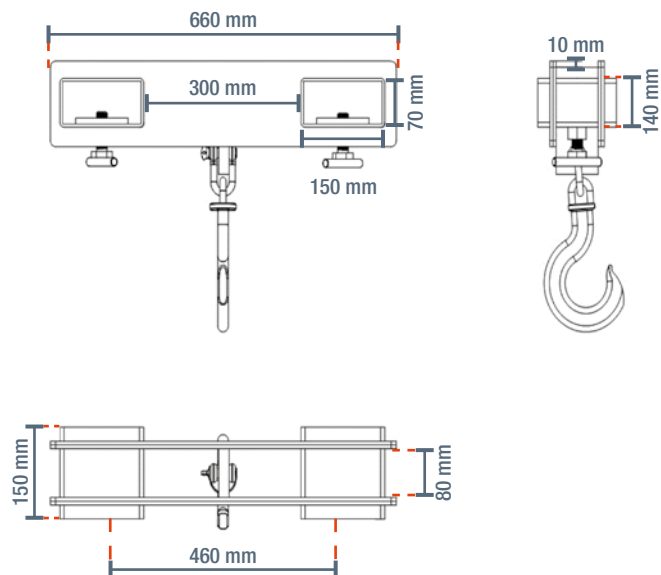


LOAD HOOK

CHARACTERISTICS

- For quick and easy transport of machines and flexible big bags with the forklift truck
- Securing with two screw clamps
- Hook included

Typ	Einheit	Wert
Brand		SolidHub
Colour		RAL 5005
Surface		Painted
Width	mm	660
Weight	kg	24
Max. load	kg	2500
Distance fork pockets	mm	300
Size of fork openings	mm	150 x 70



According to DGUV regulation 68, periodic inspections must be performed at least once a year with checklist FEM 4.004, 6.