



ASSEMBLY INSTRUCTIONS

Mobile platform ladder

PL200/8
PL300/12



Please read this manual before using the product and follow the instructions it contains!

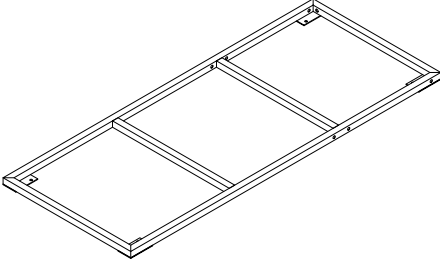
GENERAL

Parts list	3
Technical data	5
Assembly	6
Safety instructions	8
Service & Contact	8
UKCA Declaration of Conformity	9

PARTS LIST

A

Base



x 1

B

Swivel with Brake



x 2

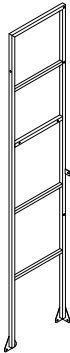
C

Fixed Castor



x 2

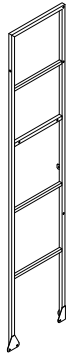
D



x 1

Left Upright

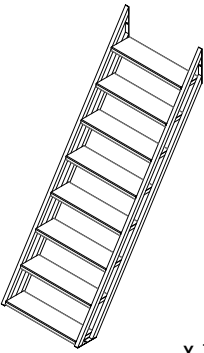
E



x 1

Right Upright

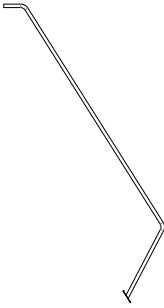
F



x 1

Steps

G



x 2

Handrail

H

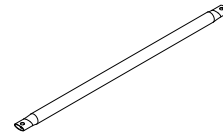
Top Platform



x 1

J

Reinforced Cross Bar



x 2

L

Washer



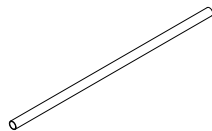
x 16

PL200/8

PL300/12

I

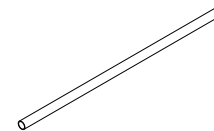
Cross Bar



x 3

I

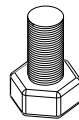
Cross Bar



x 4

K

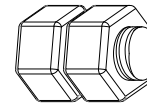
M8 x 16 mm



x 16

P

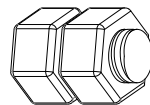
M10 x 14 mm



x 4

P

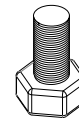
M10 x 14 mm



x 4

K

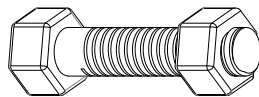
M10 x 16 mm



x 16

M

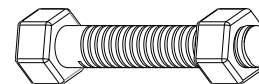
M10 x 45 mm



x 14

M

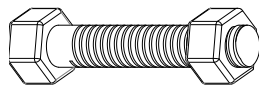
M10 x 45 mm



x 8

Q

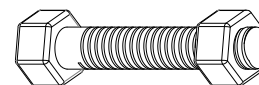
M10 x 55 mm



x 6

Q

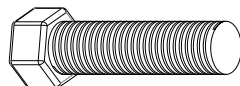
M10 x 55 mm



x 12

N

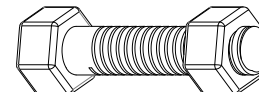
M12 x 45 mm



x 8

O

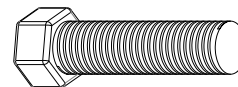
M10 x 65 mm



x 4

N

M12 x 55 mm



x 12

TECHNICAL DATA

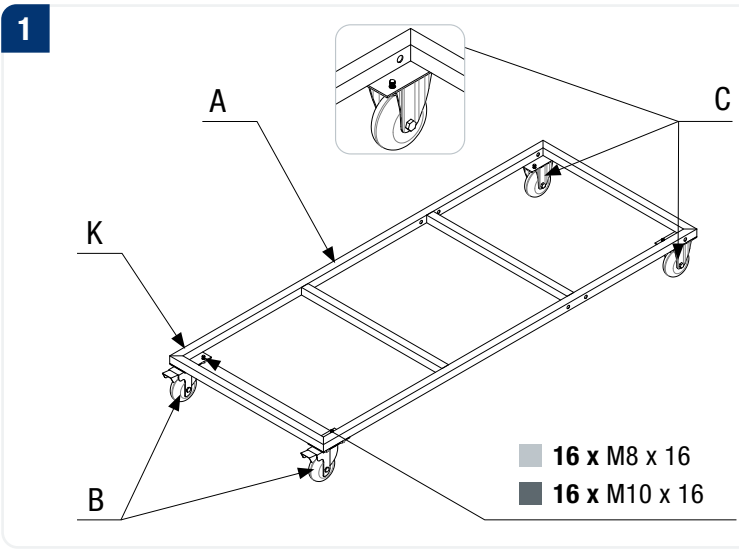
General

Type	Unit	PL200/8	PL300/12
Material		Carbon Steel	
Color		RAL5005	
Surface		Powder Coated	
Weight	kg	65	119
Height of platform	mm	2000	3000
Height of railing	mm	1000	
Total height	mm	3000	4000
Width	mm	700	800
Depth	mm	1700	2500
Platform dimensions	mm	640 x 530	720 x 530
Number of treads		8	12
Max. load	kg	150	

Castors

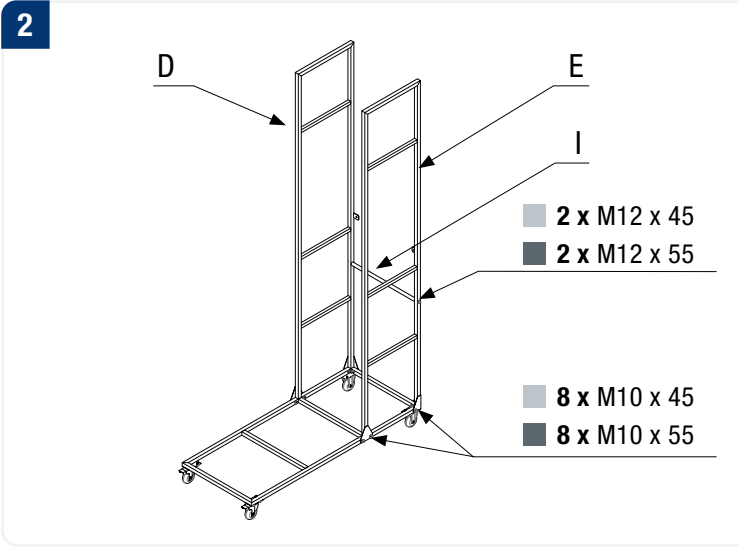
Type	Unit	PL200/8	PL300/12
Diameter	mm	100	
Material		PU	
Type		2 Swivel Castors with Brakes, 2 Fixed Castors	

ASSEMBLY



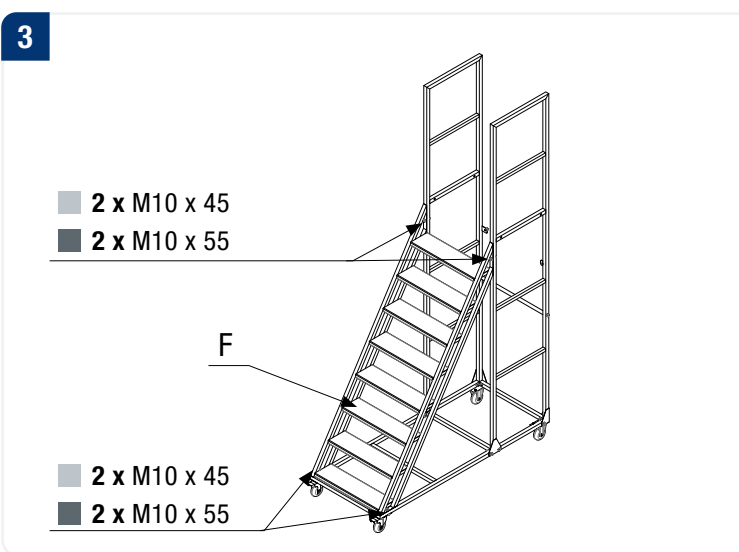
Mount the four castors **B&C** on the base **A**. Lock the castors to secure the platform ladder.

■ PL200/8 ■ PL300/12



Assemble the uprights **D&E** and the rear cross bar **I**.

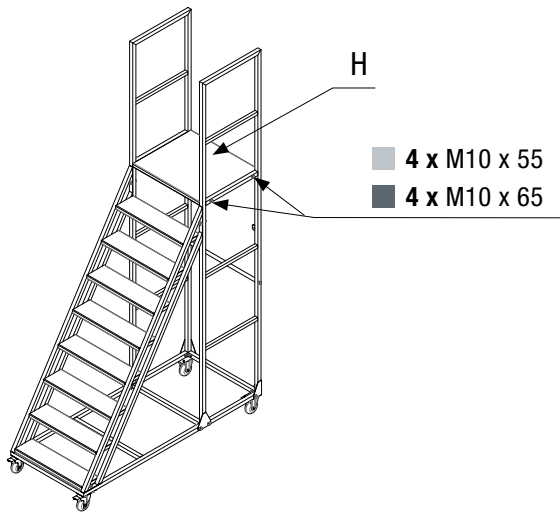
■ PL200/8 ■ PL300/12



Screw the steps **F** in place.

■ PL200/8 ■ PL300/12

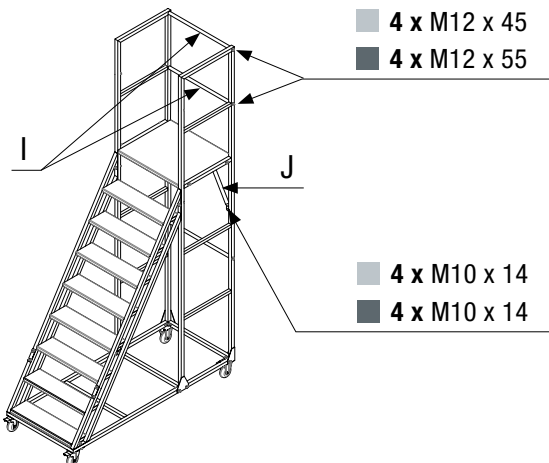
4



Attach the platform **H**.

■ PL200/8 ■ PL300/12

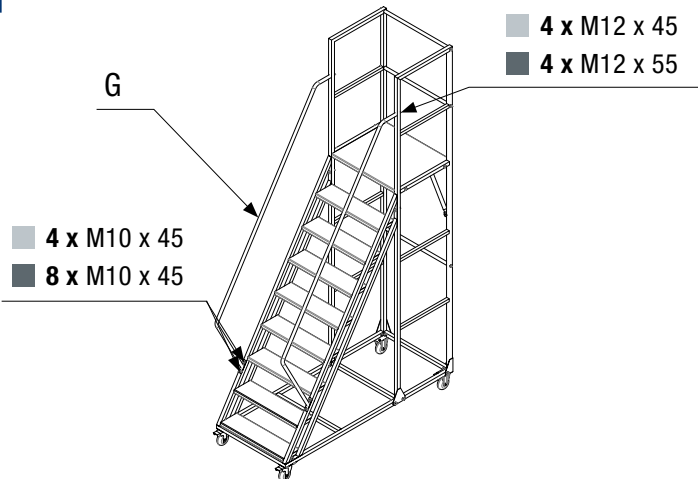
5



Mount the remaining cross bars **I&J** and tighten all the screws.

■ PL200/8 ■ PL300/12

6



Attach the two handrails **G**.

■ PL200/8 ■ PL300/12

SAFETY INSTRUCTIONS

All relevant accident prevention regulations apply:

- Generally recognised safety rules & standards.
- Country-specific regulations, if applicable.

Regular inspection of ladders is mandatory for tradesmen according to the European standard DIN EN 131-3.

Always wear a helmet and safety shoes during assembly and use.

Only reach for objects within immediate reach on the platform to avoid tipping over.

Check the platform ladder before each use and ensure that it is not damaged.

Only place and use the ladder on level and solid ground.

This ladder does not provide insulation or protection against electrical hazards. Take this into account when selecting the installation site; e.g. overhead power lines or other exposed electrical equipment should be far enough away.

Never place or use the ladder on slippery surfaces, e.g. ice, shiny surfaces or heavily soiled surfaces.
or heavily soiled surfaces.

Secure the platform ladder against rolling away before climbing it. Use the parking brakes for this purpose.

SERVICE & CONTACT

Contact our product experts and find help and solutions for your product. Here you will find all contact information listed by country and language: www.topregal.co.uk/en/service

Responsible for the content:

TOPREGAL GmbH

Industriestrasse 3

70794 Filderstadt

GERMANY

www.topregal.com

UKCA Declaration of Conformity

The manufacturer / distributor

TOPREGAL UK Ltd.
Carlton Drive Crumlin
Gwent NP11 4EA

hereby declares that the following product

Product name:

Mobile platform ladder

Type:

PL200/8, PL300/12

that the equipment is in conformity with the following relevant UK legislations and applied standards:

EN 131-7

Name and address of the person who is authorized, compile the technical documentation:

TOPREGAL UK Ltd.
Carlton Drive Crumlin
Gwent NP11 4EA



Place: Crumlin UK
Date: 22.07.2022

Juergen Effner
Chief Executive Officer

TOPREGAL