



## ASSEMBLY INSTRUCTIONS


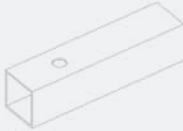



Conference table

ELLA480 / ELLA480i



Please read this manual before using the product and follow the instructions it contains!

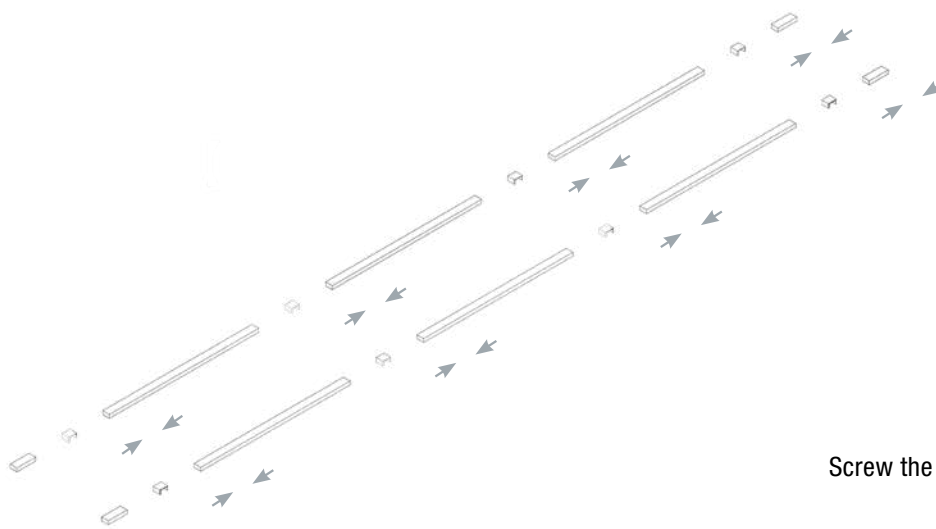
## PARTS LIST

No.	Accessories / Single parts		ELLA480	ELLA480i
1	Sheet metal		4 x	4 x
2	Connector		8 x	8 x
3	L20 round head screw		48 x	48 x
4	Short end rod		4 x	4 x
5	Frame rod		6 x	6 x
6	L40 flat head screw		16 x	16 x
7	Cover for bar end		4 x	4 x
8	Middle stand		2 x	2 x
9	Side stand		2 x	2 x
10	Table top holder		16 x	16 x

No.	Accessories / Single parts		ELLA480	ELLA480i
11	Screw for table top holder		16 x	16 x
12	Lateral table top		2 x	2 x
13	Middle table top		1 x	1 x
14	Phillips screw		74 x	74 x
15	Mounting material induction boxes		3 x	3 x
16	Induction box		-	3 x
17	Cable cover		3 x	-
18	Cable guide		4 x	4 x

ASSEMBLY

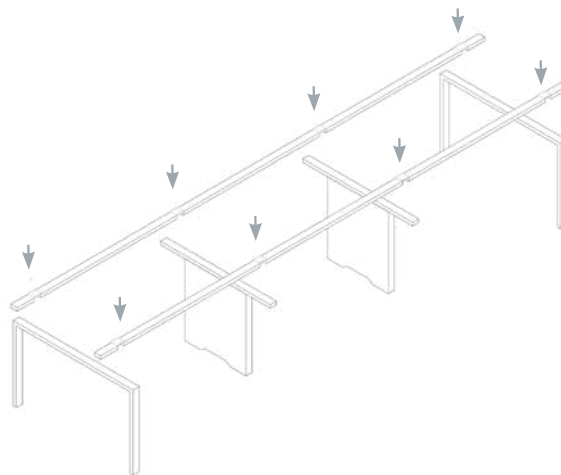
1



2	8 x
4	4 x
5	6 x
6	16 x
7	4 x

Screw the scaffold rods together with connectors.

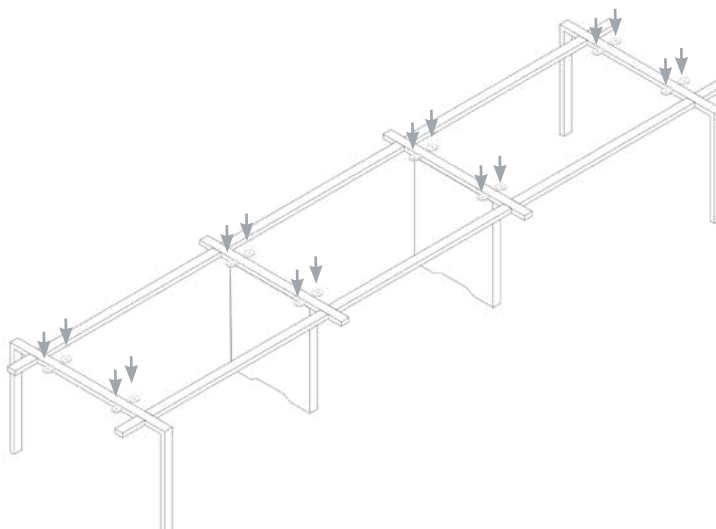
2



3	48 x
8	2 x
9	2 x

Place the scaffold poles on the feet and screw them together.

3

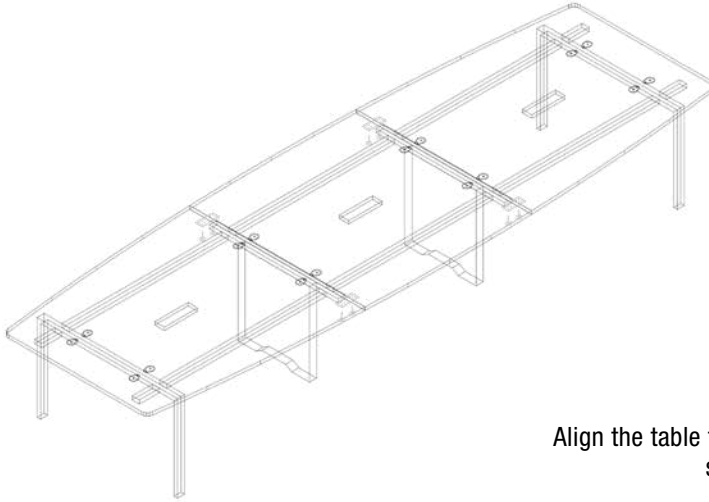


10	16 x
11	16 x

Screw the table top support to the scaffold poles.

4

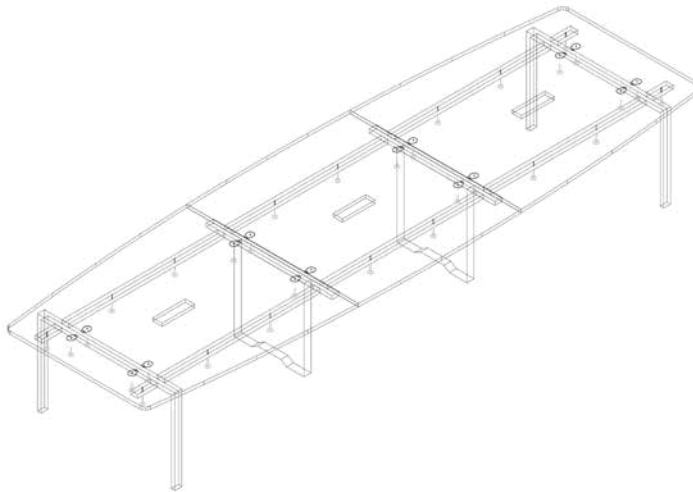
4



- 1 4 x
- 12 2 x
- 13 1 x
- 14 32 x

Align the table tops using the metal sheets and wood screws and fasten them to each other.

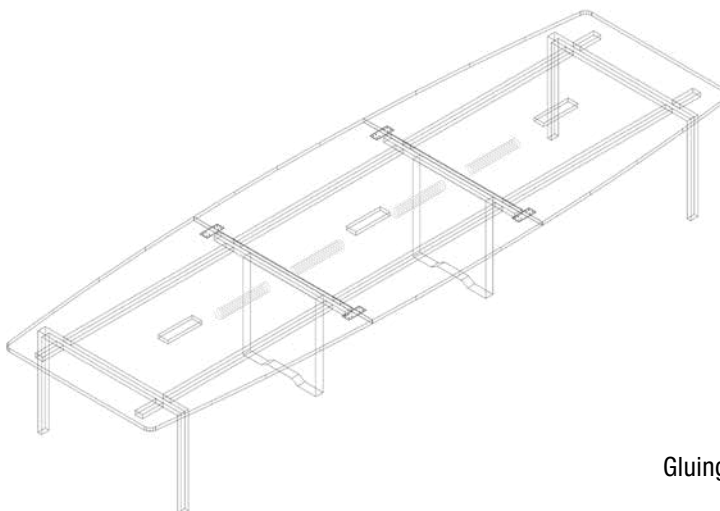
5



15 28 x

Screw connected table tops to the linkage.

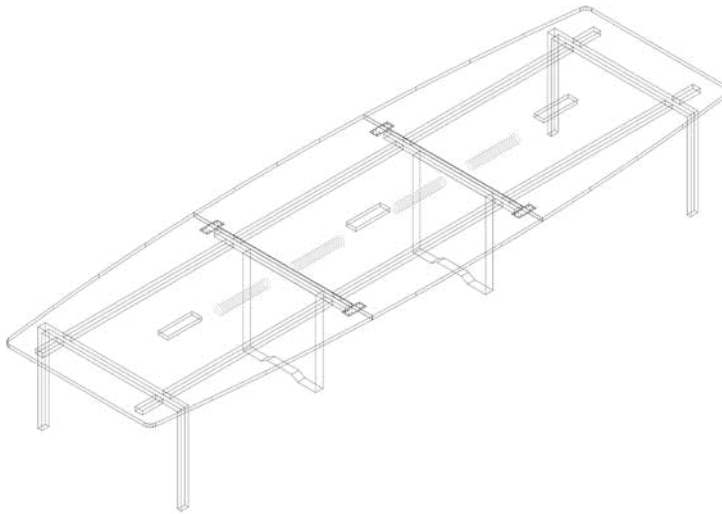
6



3 19 x

Gluing the cable guide to the underside of the table top.

7



16	3 x
17	3 x
18	3 x

Inserting the induction / cable boxes into the recesses and screwing them in from below.

## SERVICE & CONTACT

Contact our product experts and find help and solutions for your product. Here you will find all contact information listed by country and language: [www.topregal.co.uk/en/service](http://www.topregal.co.uk/en/service)

Responsible for the content:

TOPREGAL GmbH  
Industriestrasse 3  
70794 Filderstadt  
GERMANY  
[www.topregal.com](http://www.topregal.com)



**TOPREGAL**