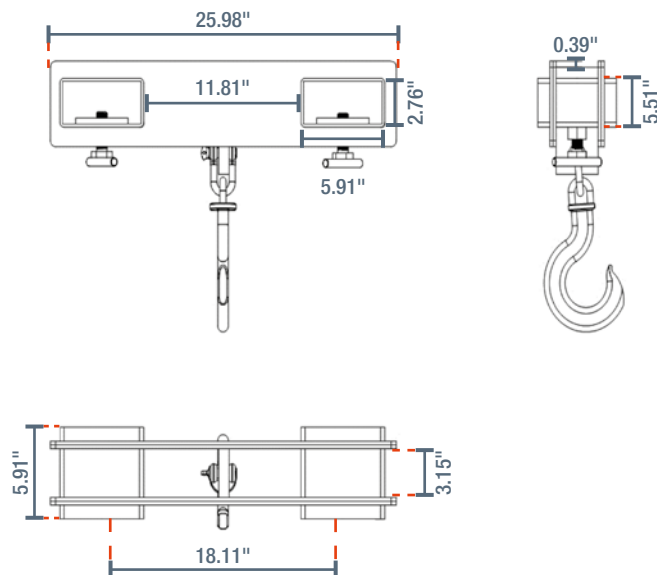


## LOAD HOOK

### CHARACTERISTICS

- For quick and easy transport of machines and flexible big bags with the forklift truck
- Securing with two screw clamps
- Hook included

Type	Unit	Value
Brand		SolidHub
Colour		RAL 5005
Surface		Painted
Width	"	25.98
Weight	lbs	52.91
Max. load	lbs	5511.56
Distance fork pockets	"	11.81
Size of fork openings	"	5.91 x 2.76



According to DGUV regulation 68, periodic inspections must be performed at least once a year with checklist FEM 4.004, 6.