



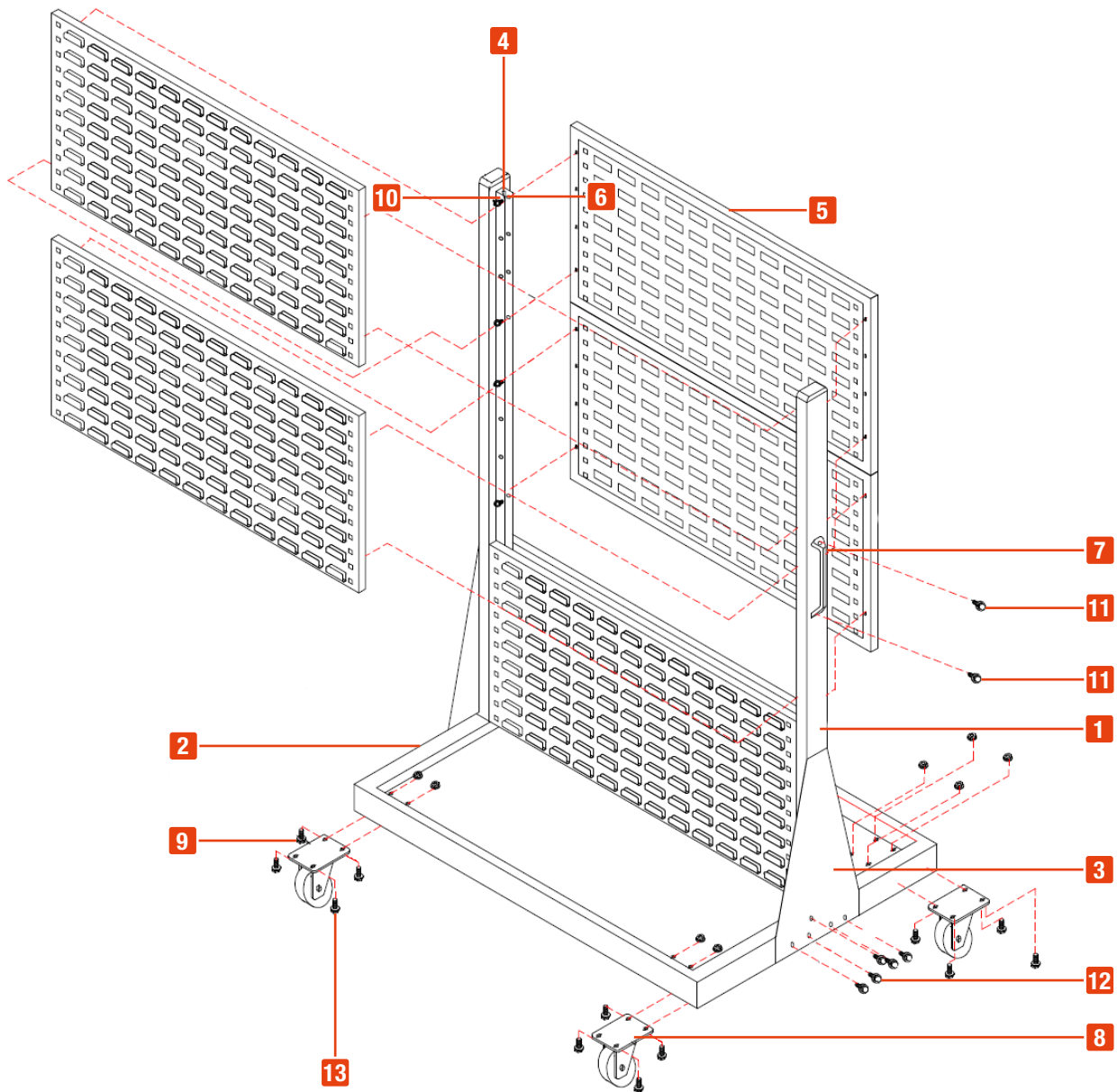
INSTRUCTIONS MANUAL

Double sided louvre panel trolley with 112 storage bins

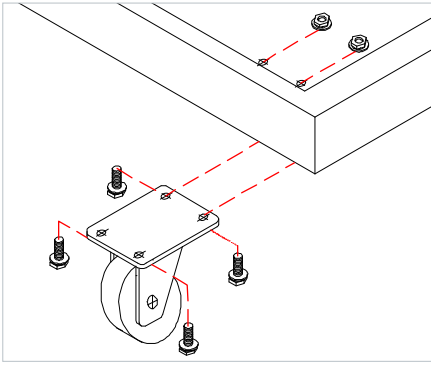
SLK112



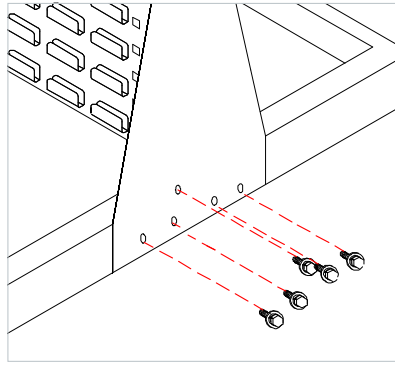
Please read this manual before using the product and follow the instructions it contains!



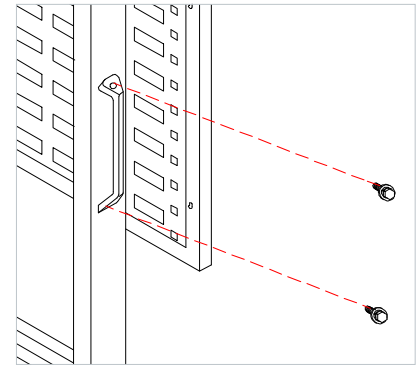
No.	Name	Quantity
1	Upright	2
2	Base plate	1
3	Upright supporters	2
4	Panel holders	2
5	Panels	6
6	End caps	2
7	Handles	2
8	Swivel castors	2
9	Brake castors	2
10	M5 x 10 hexagon socket head cap screws (For mounting the panels)	24
11	M8 x 25 hexagon socket head cap screws (For mounting the handles)	4
12	M8 x 16 hexagon head screws (For mounting the base plate to the uprights)	10
13	M8 x 16 hexagon bolts, nuts, spring washers and flat washers (For mounting the castors to the base plate)	16 each



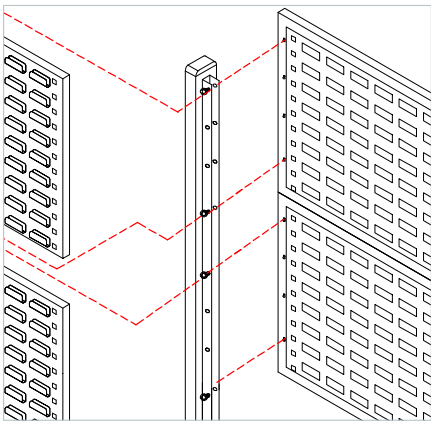
1. Attach the castors (8) to the base plate (2) with four M8 x 16 bolts, washers and nuts (13) each.



2. Now attach the two uprights (3) to the base plate (2) with 5 screws (12) each.



3. Attach the two handles (7) with 2 M8 x 25 screws (11) each.



4. Hang the panels (5) in the holders (4) provided and tighten the screws (10) to secure them.



5. Hang the pick-bins.

SERVICE & CONTACT

Contact our product experts and find help and solutions for your product. Here you will find all contact information listed by country and language: www.topregal.us/en/service

Responsible for the content:
 TOPREGAL GmbH
 Industriestrasse 3
 70794 Filderstadt
 GERMANY
www.topregal.com

TOPREGAL®