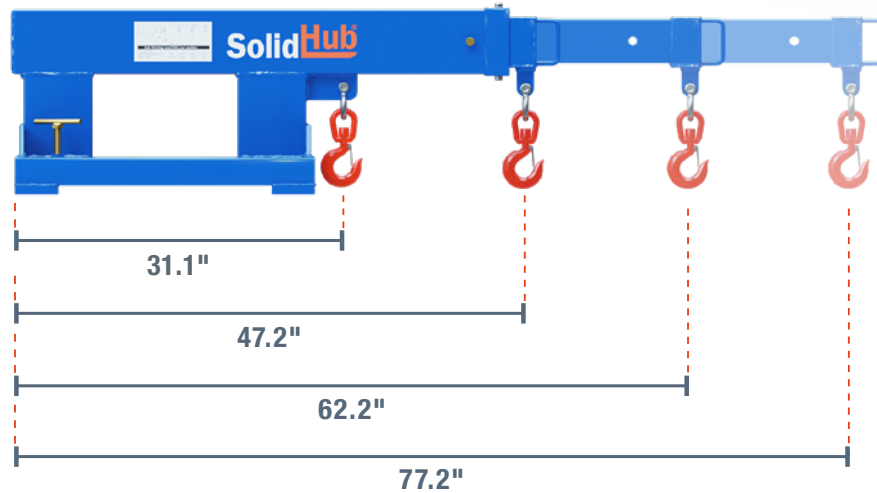


# CRANE ARM WITH A MAXIMUM LOAD OF 5,511 LBS

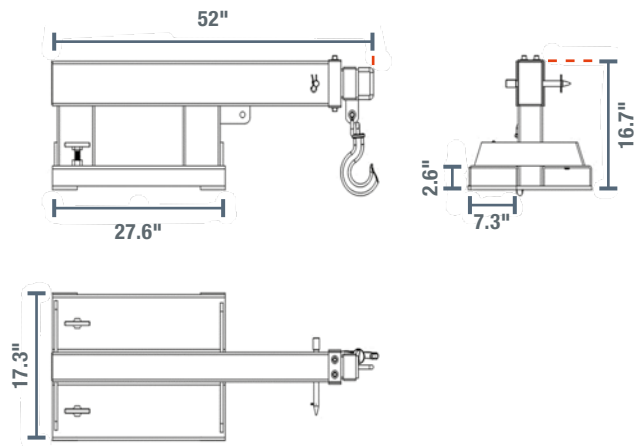
## CHARACTERISTICS

- Grip and transport heavy loads easily from above.
- Turn your truck into a mobile crane in no time at all.
- The crane arm can be extended in 4 positions.
- Secured with 2 screw clamps.

| Type                  | Unit | Value     |
|-----------------------|------|-----------|
| Brand                 |      | SolidHub  |
| Colour                |      | Blue      |
| Surface               |      | Painted   |
| Length                | "    | 53.1      |
| Width                 | "    | 17.3      |
| Height                | "    | 16.9      |
| Weight                | lbs  | 200.6     |
| Max. Load             | lbs  | 5,511.56  |
| Size of Fork Openings | "    | 7.3 x 2.6 |



|                   | Safe working load per position |              |              |              |
|-------------------|--------------------------------|--------------|--------------|--------------|
| Extension         | 31.1"                          | 47.2"        | 62.2"        | 77.2"        |
| Max. Working Load | 5,511.56 lbs                   | 2,645.55 lbs | 1,984.16 lbs | 1,653.47 lbs |



Note that the use of the telescopic arm shifts the load centre of your truck. For more detailed information, refer to the heavy load diagram and the load centre of your machine.