














ASSEMBLY INSTRUCTIONS

Conference table

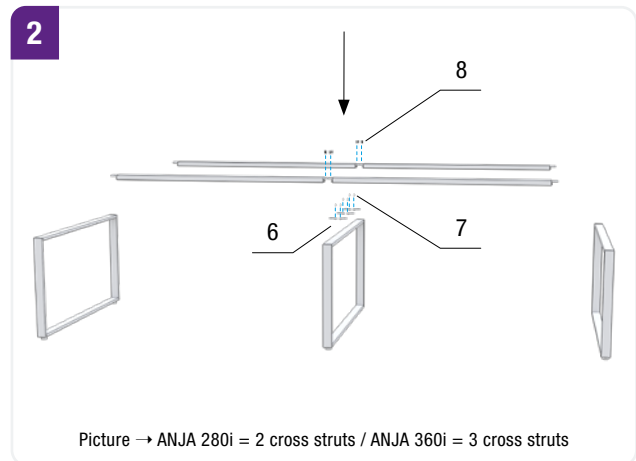
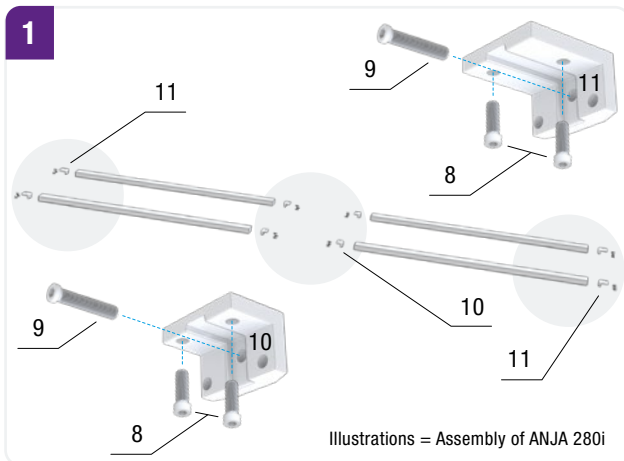
ANJA 280i / 360i

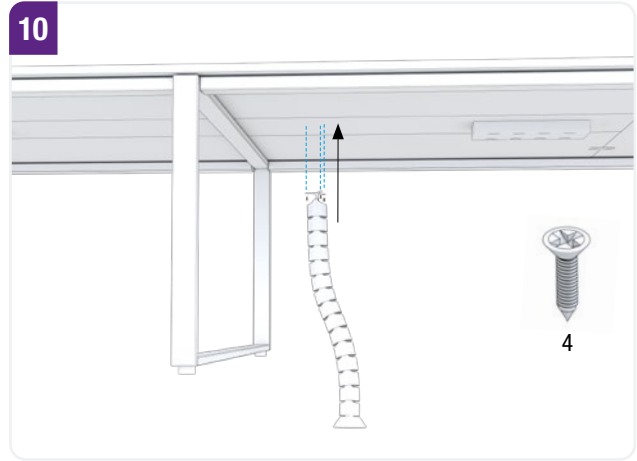
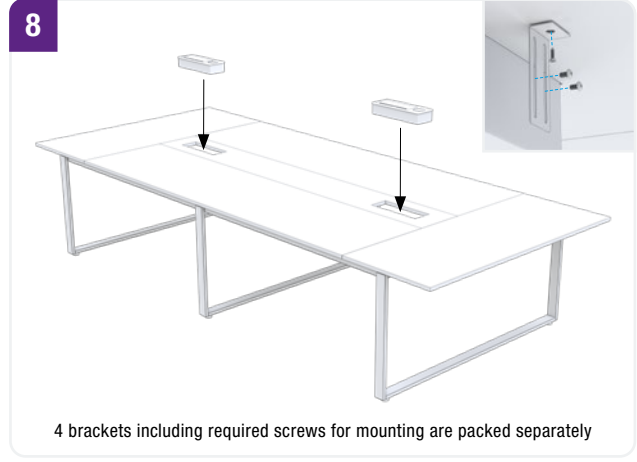
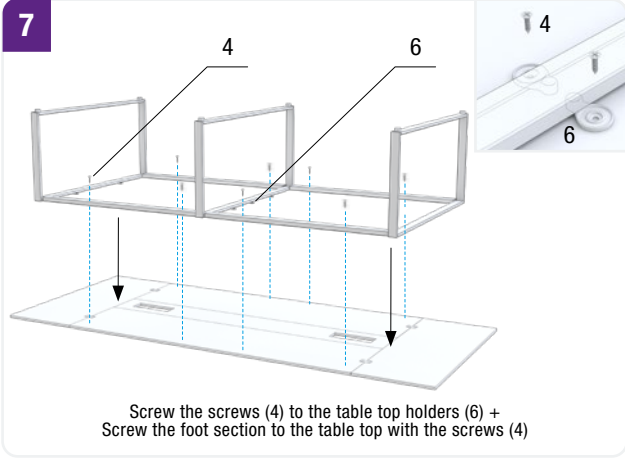
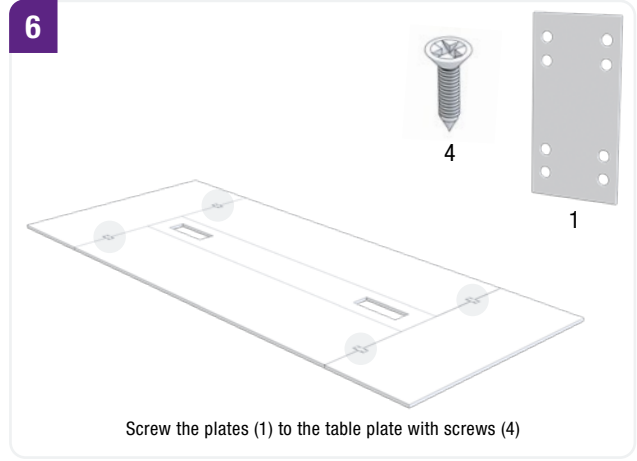
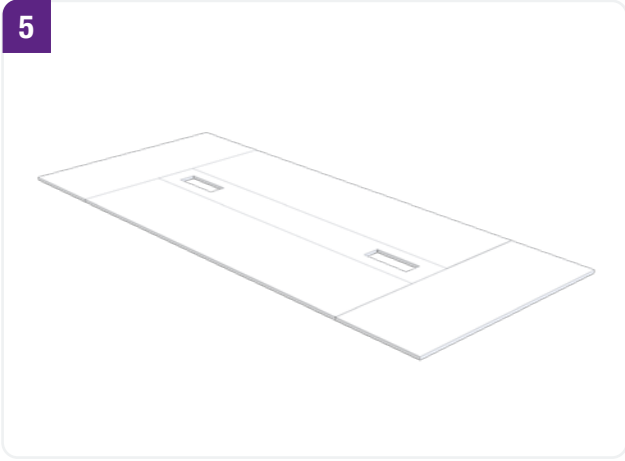
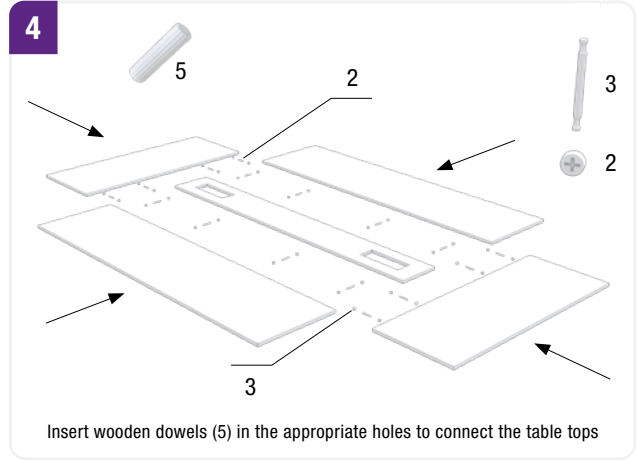
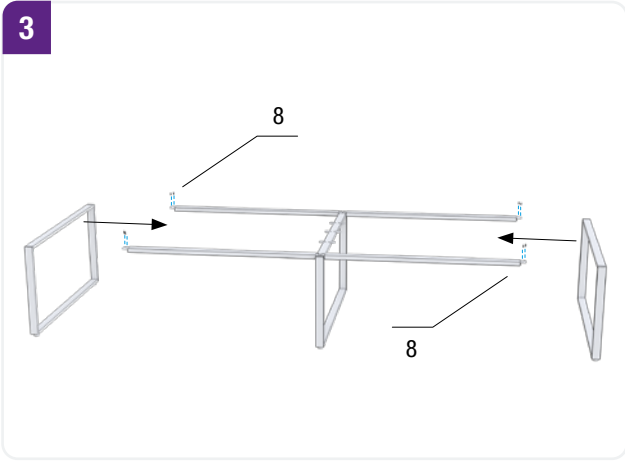


Please read this manual before using the product and follow the instructions it contains!

No.	Accessories / single parts	Anja 280i	Anja 360i
1	Sheet metal 	4 x	4 x
2	Connecting bolt 	16 x	20 x
3	Screw plug cross 	32 x	40 x
4	Phillips-head screw 	60 x	75 x
5	Wooden dowel 	32 x	40 x
6	Table top holder 	10 x	6 x
7	Screw for table top holder 	10 x	6 x
8	Screw M6x15 	16 x	24 x
9	Screw M8x50 	8 x	12 x
10	Connecting piece short 	4 x	6 x
11	Connecting piece long 	4 x	6 x

ASSEMBLY





TOPREGAL®

TOPREGAL UK Ltd.

Carlton Drive Pen Y Fan Industrial Estate
Crumlin Newport | Gwent NP11 4EA

01495 707222 | info@topregal.co.uk
www.topregal.co.uk